

ICOM[®]

**SERVICE
MANUAL**

HF TRANSCEIVER

IC-F7000

Icom Inc.

INTRODUCTION

This service manual describes the latest service information for the **IC-F7000** HF TRANSCEIVER at the time of publication.

MODEL	SYMBOL	VERSION
IC-F7000	AUS	Australia
	OTH	Other

To upgrade quality, any electrical or mechanical parts and internal circuits are subject to change without notice or obligation.



ORDERING PARTS

Be sure to include the following four points when ordering replacement parts:

1. 10-digit order numbers
2. Component part number and name
3. Equipment model name and unit name
4. Quantity required

<SAMPLE ORDER>

1110004080	S.IC	μPC2709T	IC-F7000	MAIN UNIT	5 pieces
8810005770	Screw	BiH M3×8 ZK	IC-F7000	Top cover	10 pieces

Addresses are provided on the inside back cover for your convenience.

DANGER

NEVER connect the transceiver to an AC outlet or to a DC power supply that uses more than 16 V. This will ruin the transceiver.

DO NOT expose the transceiver to rain, snow or any liquids.

DO NOT reverse the polarities of the power supply when connecting the transceiver.

DO NOT apply an RF signal of more than 20 dBm (100 mW) to the antenna connector. This could damage the transceiver's front end.

REPAIR NOTES

1. Make sure a problem is internal before disassembling the transceiver.
2. **DO NOT** open the transceiver until the transceiver is disconnected from its power source.
3. **DO NOT** force any of the variable components. Turn them slowly and smoothly.
4. **DO NOT** short any circuits or electronic parts. An insulated tuning tool **MUST** be used for all adjustments.
5. **DO NOT** keep power ON for a long time when the transceiver is defective.
6. **DO NOT** transmit power into a signal generator or a sweep generator.
7. **ALWAYS** connect a 50 dB to 60 dB attenuator between the transceiver and a deviation meter or spectrum analyzer when using such test equipment.
8. **READ** the instructions of test equipment thoroughly before connecting equipment to the transceiver.

TABLE OF CONTENTS

SECTION 1	SPECIFICATIONS	
SECTION 2	INSIDE VIEWS	
SECTION 3	ABOUT EXTERNAL REFERENCE SIGNAL INPUT	
SECTION 4	CIRCUIT DESCRIPTION	
SECTION 5	ADJUSTMENT PROCEDURES	
SECTION 6	PARTS LIST	
SECTION 7	MECHANICAL PARTS AND DISASSEMBLY	
7 - 1	RC-26.....	7 - 1
7 - 2	HM-146.....	7 - 1
7 - 3	IC-F7000.....	7 - 1
SECTION 8	SEMI-CONDUCTOR INFORMATION	
SECTION 9	BOARD LAYOUTS	
9 - 1	HM-146.....	9 - 1
9 - 2	RC-26	
9 - 2 - 1	CONNECT BOARD.....	9 - 1
9 - 2 - 2	REAR BOARD.....	9 - 1
9 - 2 - 3	DISPLAY BOARD.....	9 - 3
9 - 3	IC-F7000	
9 - 3 - 1	DSP BOARD.....	9 - 5
9 - 3 - 2	MAIN UNIT.....	9 - 7
9 - 3 - 3	PA UNIT.....	9 - 9
9 - 3 - 4	PLL UNIT.....	9 - 11
9 - 3 - 5	DRIVER BOARD.....	9 - 13
9 - 3 - 6	VARISTOR-1 BOARD.....	9 - 13
9 - 3 - 7	VARISTOR-2 BOARD.....	9 - 14
SECTION 10	BLOCK DIAGRAM	
SECTION 11	WIRING DIAGRAM	
SECTION 12	VOLTAGE DIAGRAMS	
12 - 1	RC-26 and HM-146.....	12 - 1
12 - 2	IC-F7000	
12 - 2 - 1	MAIN UNIT (1).....	12 - 2
12 - 2 - 2	MAIN UNIT (2).....	12 - 3
12 - 2 - 3	MAIN UNIT (3).....	12 - 4
12 - 2 - 4	PA UNIT.....	12 - 5
12 - 2 - 5	PLL UNIT (1).....	12 - 6
12 - 2 - 6	PLL UNIT (2).....	12 - 7
12 - 2 - 7	DSP BOARD.....	12 - 8

SECTION 1 SPECIFICATIONS

• IC-F7000

■ GENERAL

- Frequency coverage : Receive 500 kHz–29.9999 MHz
Transmit 1.6–5.4999 MHz,
5.73–5.9999 MHz,
6.7–8.0999 MHz,
10.0–11.1999 MHz,
13.4–14.9999 MHz,
18.0–18.9999 MHz,
20.0–20.9999 MHz,
23.0–27.9999 MHz

NOTE: [OTH] VERSION ONLY!

[OTH] version can transmit 1.6–29.9999 MHz continuously. But transmitter frequency range except above are not guaranteed.

- Mode : J3E (USB/LSB), *J2B (AFSK), *F1B (FSK), *A1A (CW), A3E
*[OTH] version only
- Antenna impedance : 50 Ω
- Frequency stability : ±50 Hz
- Power supply requirement : 13.8 V (10.8 V–15.6 V) DC Negative ground
- Current drain (at 13.8 V DC) : RX; 3.0 A at Max. audio power
TX; 23 A at Max. output output
- Usable temperature range : –10°C to +60°C; –14°F to +140°F
- Dimensions (projections not included) : 240(W) × 72(H) × 239(D) mm; 9 7/16(W) × 2 27/32(H) × 9 13/32(D) in.
- Weight : Approx. 4.6 kg; 10 lb 2.26 oz

■ TRANSMITTER

- Output power : 1.6–29.9999 MHz 100, 50, 10 W PEP [AUS]
1.6–3.9999 MHz 125, 50, 10 W PEP [OTH]
4.0–29.9999 MHz 100, 50, 10 W PEP [OTH]
- Spurious emissions : Less than –43 dB at peak output power (Maximum power)
- Carrier suppression : Less than 40 dB at peak output power (Maximum power)
- Unwanted sideband suppression : Less than 50 dB at peak output power (Maximum power)
with 1500 Hz AF input
- Microphone impedance : 2.4 kΩ

■ RECEIVER

- Sensitivity (Pre-amplifier is ON) :

MODE	FREQUENCY	20 dB SINAD	10 dB S/N
J3E	0.5–1.5999 MHz	28 dBμV emf	14 dBμV
	1.6–29.9999 MHz	0 dBμV emf	–14 dBμV
A3E	0.5–1.5999 MHz	46 dBμV emf	32 dBμV

- Squelch sensitivity :

MODE	THRESHOLD	TIGHT
J3E at 13.800 MHz	Less than +20 dBμV	Less than +90 dBμV
A3E at 1.000 MHz	Less than +30 dBμV	Less than +110 dBμV

- Spurious response rejection : More than 70 dB 1.6–29.9999 MHz
- AF output power : 4 W at 4 Ω load with 10% distortion
- Clarity variable range : ±150 Hz

All stated specifications are subject to change without notice or obligation.

• **RC-26 REMOTE CONTROLLER**

■ **GENERAL**

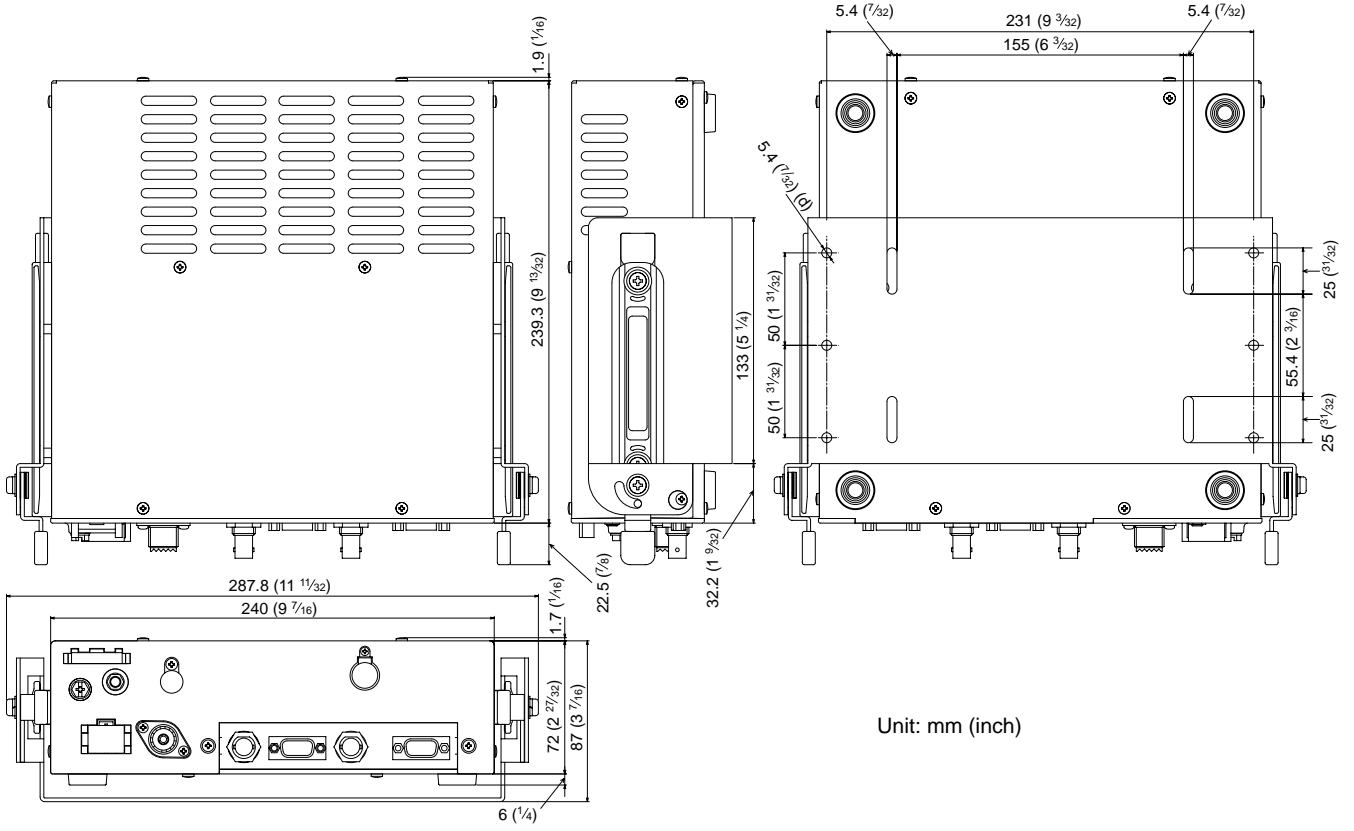
- Microphone impedance : 600 Ω
- Audio output power : More than 2 W at 4 Ω load with 10% distortion
- Audio output impedance : 4 Ω
- Usable temperature range : -10°C to $+60^{\circ}\text{C}$; $+14^{\circ}\text{F}$ to $+140^{\circ}\text{F}$
- Dimension (projections not included) : 150(W) \times 50(H) \times 51(D) mm; 5 $\frac{29}{32}$ (W) \times 1 $\frac{31}{32}$ (H) \times 2(D) in.
- Weight : Approx. 220 g; 7.8 oz (Connection cable is not included.)

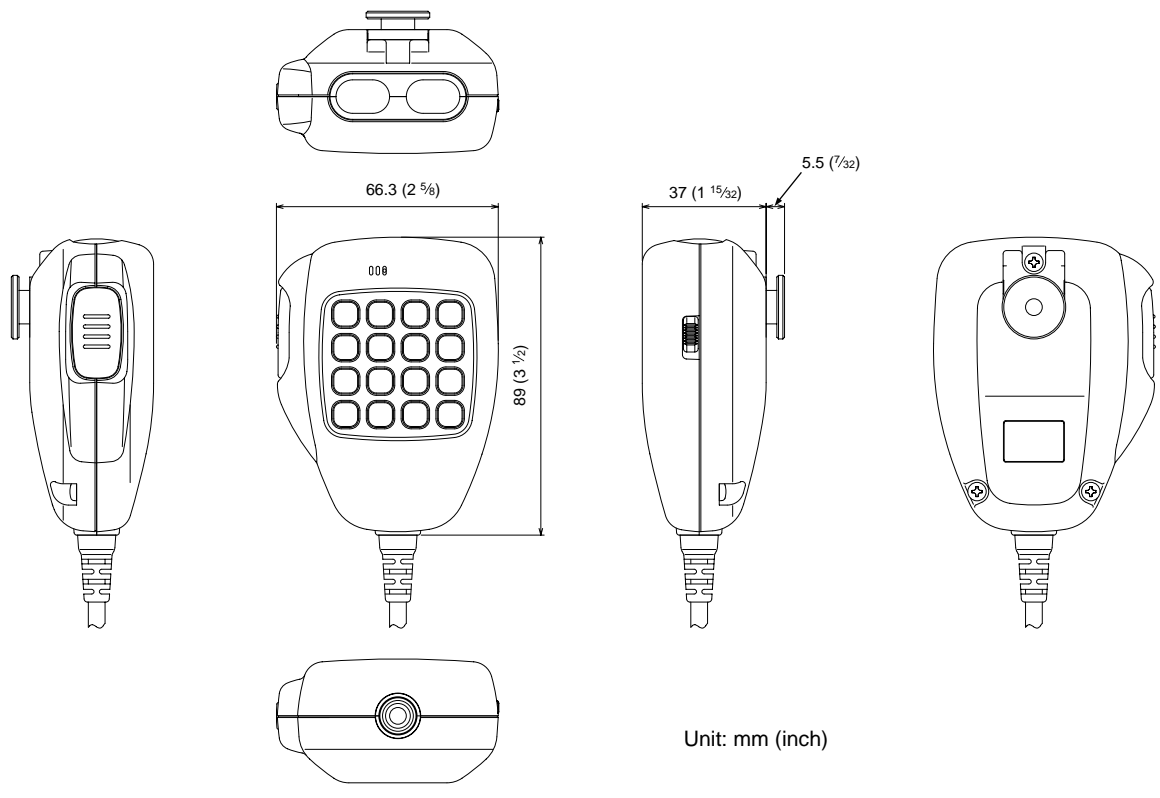
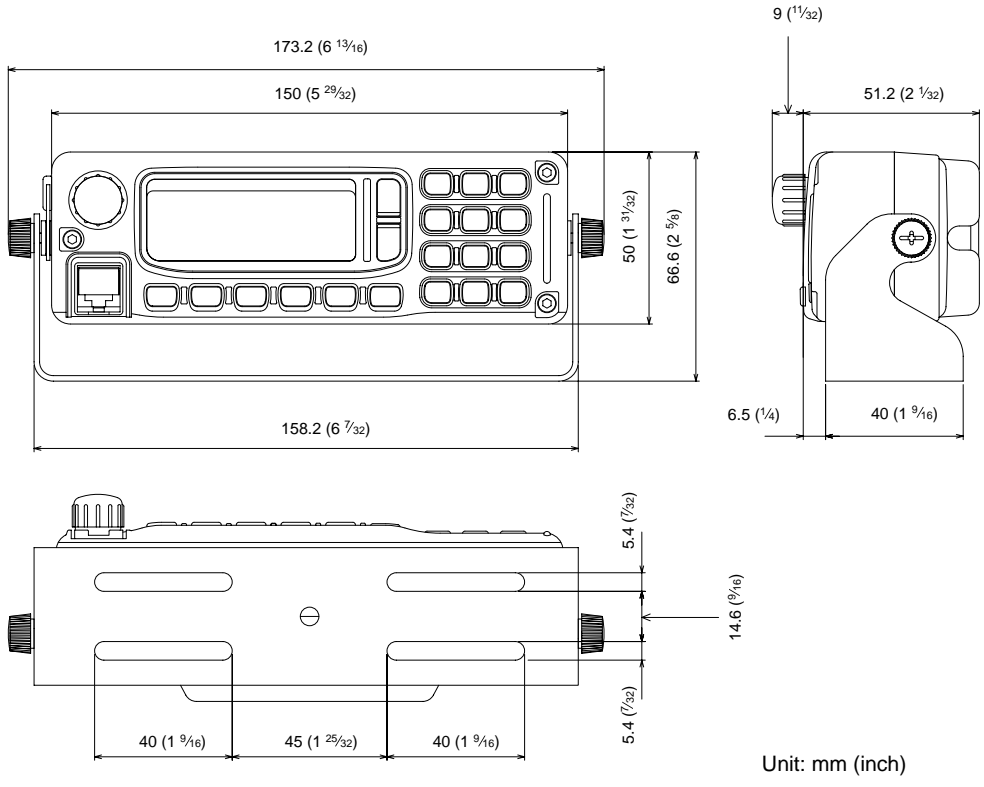
• **SP-25 EXTERNAL SPEAKER**

■ **GENERAL**

- Impedance : 4 Ω
- Input power : Rated input; 5 W
Maximum input; 7 W
- Usable temperature range : -20°C to $+60^{\circ}\text{C}$; -4°F to $+140^{\circ}\text{F}$
- Dimension (projections not included) : 106(W) \times 62(H) \times 46(D) mm; 4 $\frac{3}{16}$ (H) \times 2 $\frac{7}{16}$ (H) \times 1 $\frac{13}{16}$ (D) in.
- Weight : Approx. 370 g; 13.5 oz

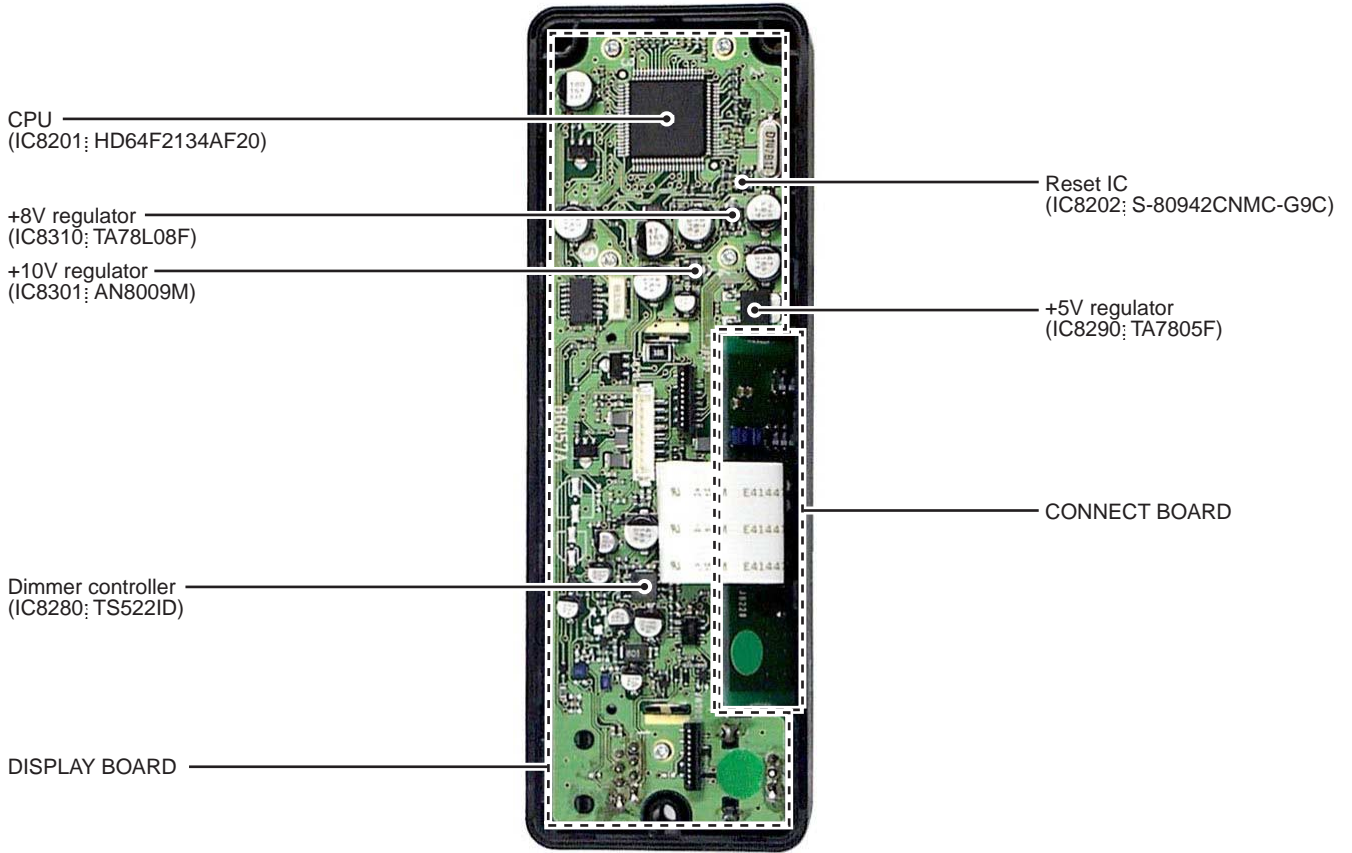
All stated specifications are subject to change without notice or obligation.



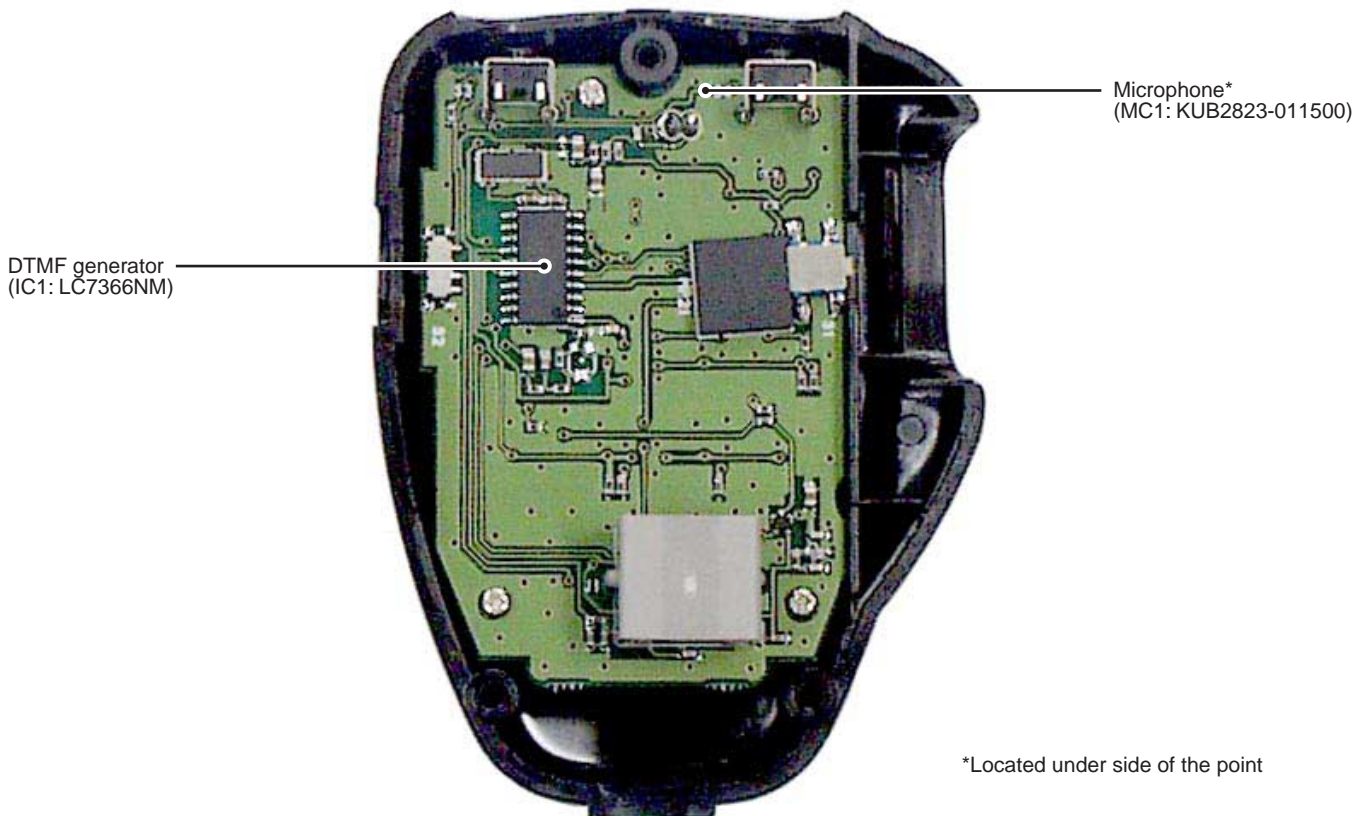


SECTION 2 INSIDE VIEWS

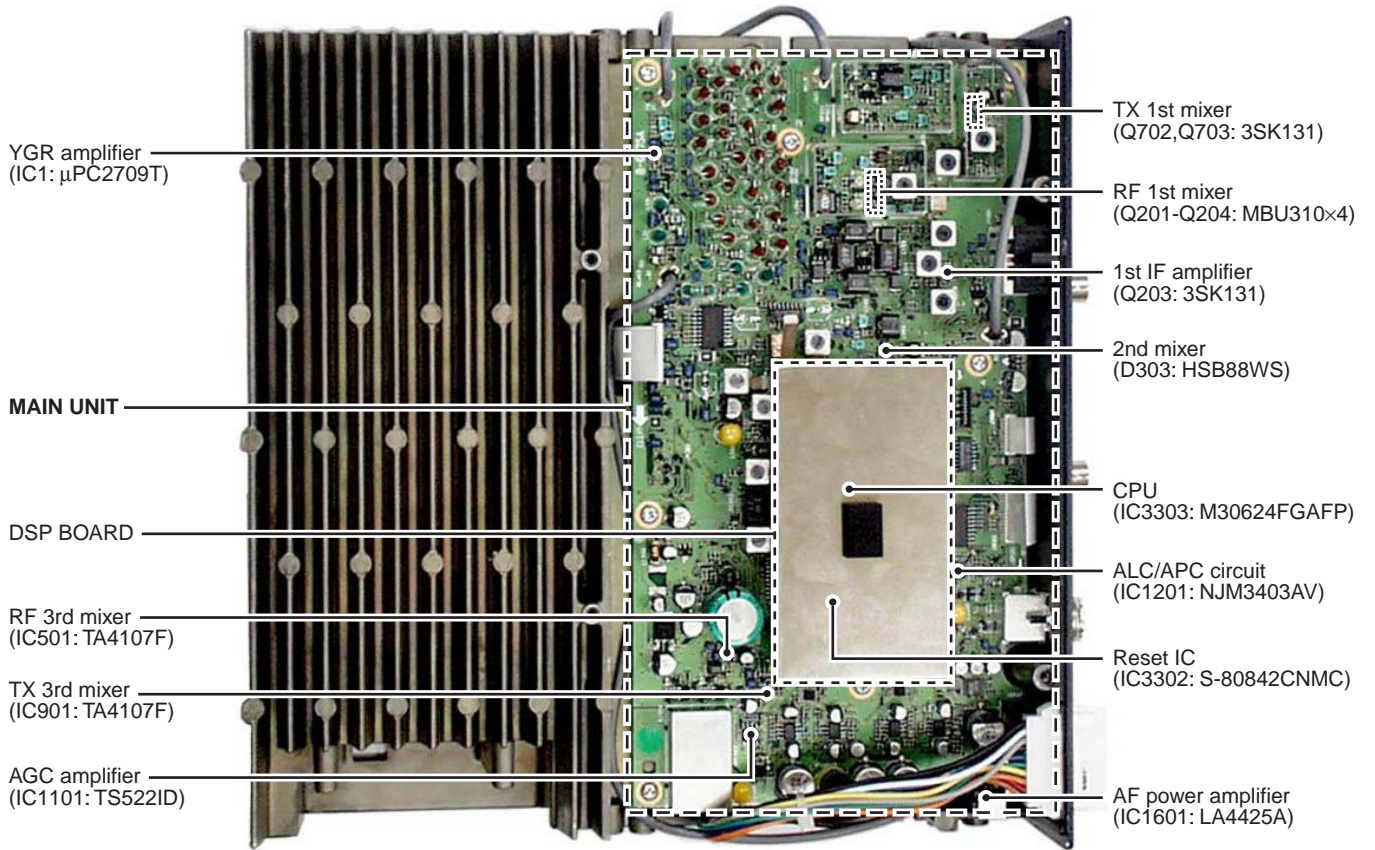
• RC-26



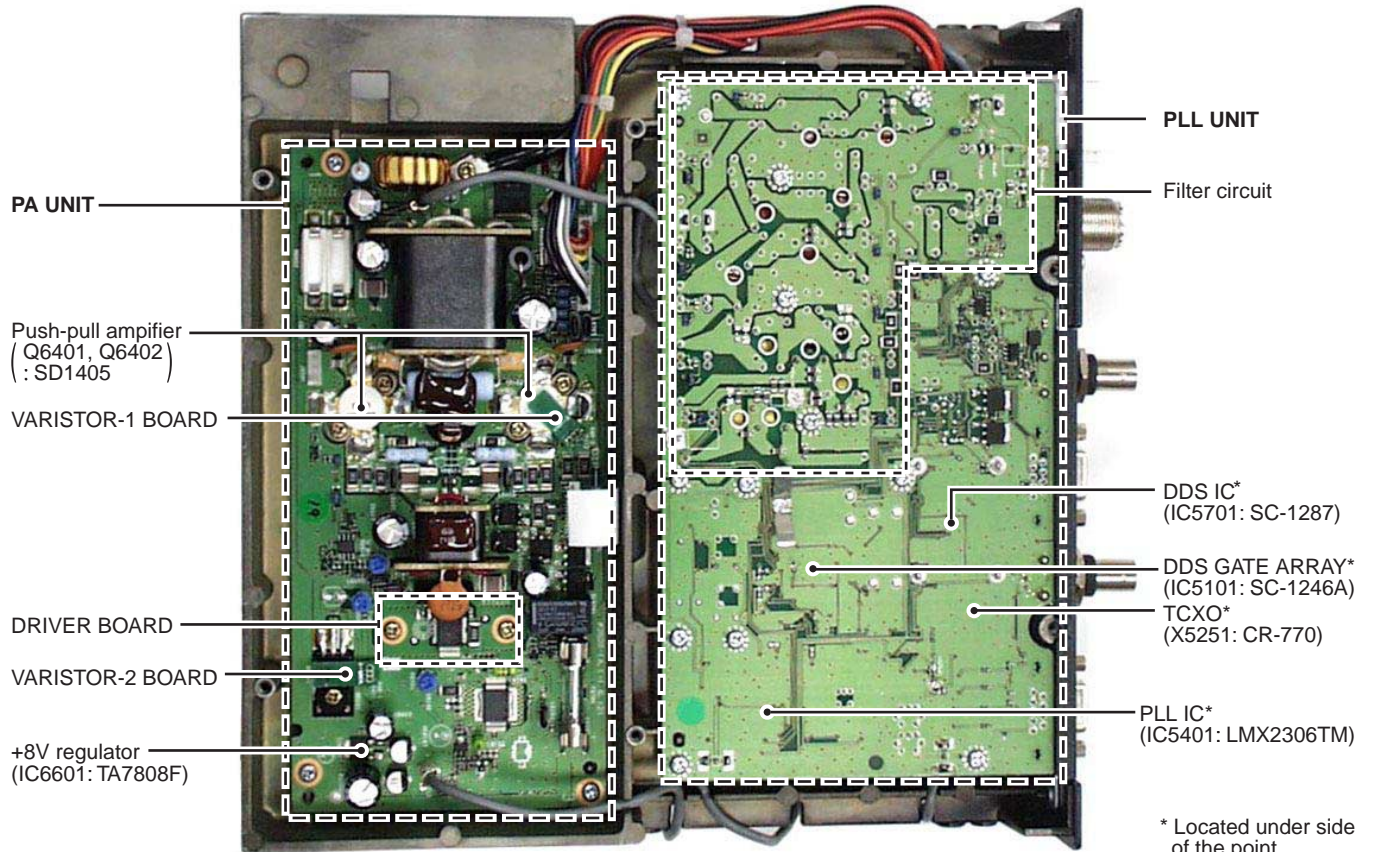
• HM-146 (MIC UNIT)



• IC-F7000 (TOP VIEW)



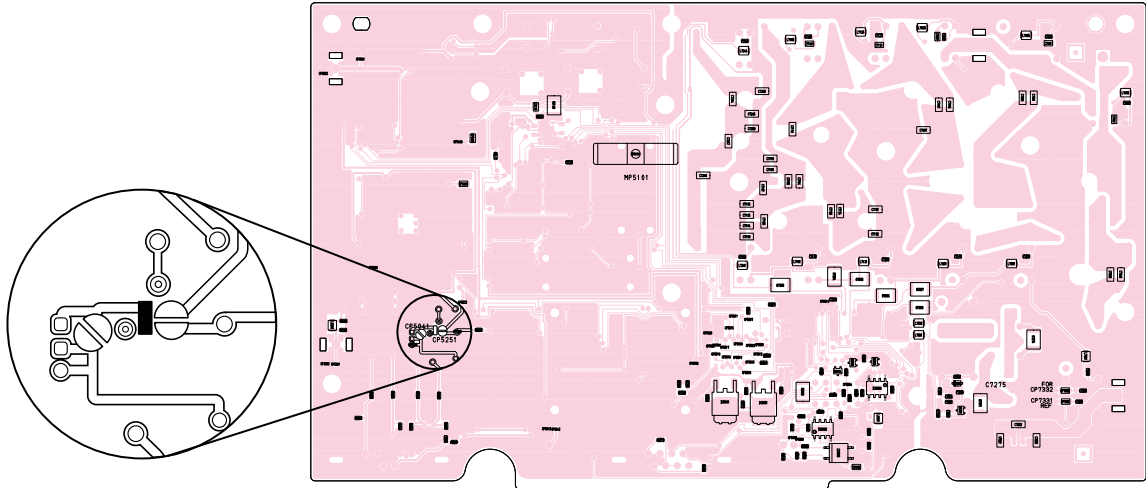
• IC-F7000 (BOTTOM VIEW)



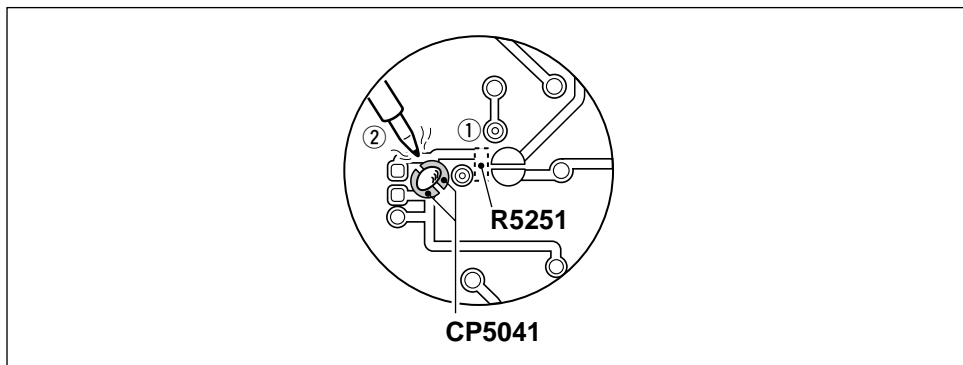
SECTION 3 ABOUT EXTERNAL REFERENCE SIGNAL INPUT

■ IN CASE OF USING EXTERNAL REFERENCE SIGNAL

NEED TO MODIFY the PLL unit (bottom side) as below when using external reference.



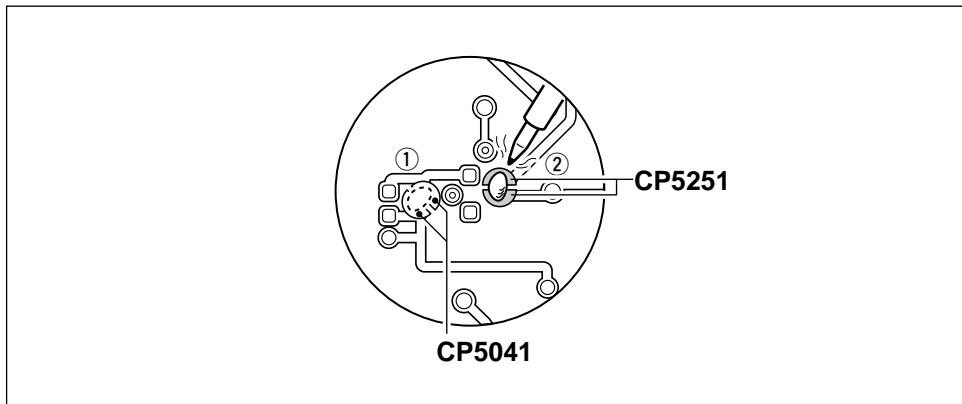
- ① Remove R5251 from the PLL unit.
- ② Solder disconnect points (CP5041) on the PLL unit.



■ **IN CASE OF USING INTERNAL REFERENCE SIGNAL**

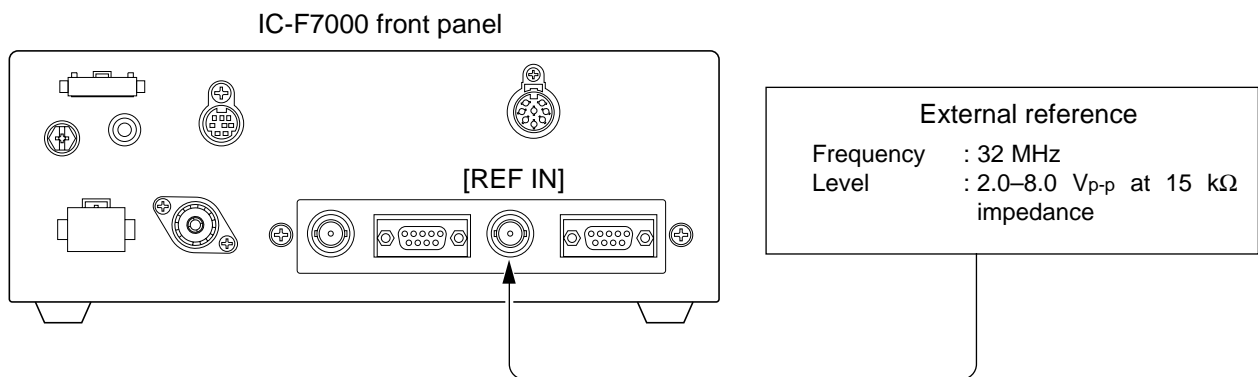
NEED TO MODIFY the PLL unit (bottom side) as below. Otherwise the transceiver does not work properly.

- ① Unsolder connect points (CP5041) on the PLL unit.
- ② Solder R5251 to the original position, or solder disconnect points (CP5251) on the PLL unit.



■ **CONNECTION**

Connect the external reference oscillator to the IC-F7000 as below.



SECTION 4 CIRCUIT DESCRIPTION

4-1 RECEIVER CIRCUITS

4-1-1 RF FILTER CIRCUIT (PLL AND MAIN UNITS)

Received signals from the antenna connector are applied to the transmit/receive switching and protection relay (PLL unit; RL7301) which is controlled by the CPU via the "TRXS" line. The signals pass through the 30 MHz cut-off low-pass filter (PLL unit; L7321, C7321–C7323, C7325), and then applied to the MAIN unit via the J7321.

The signals pass through the 1.6 MHz cut off high-pass filter (MAIN unit; L51–L54, L57, C54, C56, C57, C59, C61–C64, C69) and transmit/receive switch (D54), and are then applied to one of the bandpass filters (including one low-pass filter for below 2.0 MHz). These filters are selected by the filter control signals (B0–B8) as described in the table below.

The filtered signals are applied to the pre-amplifier (MAIN unit; Q102, Q103), and then passed through the 33 MHz cut-off low-pass filter (L202, L203, C202–C206). The filtered

Frequency (MHz)	LPF ctrl signal	BPF ctrl signal
0.5–1.9999	L1M	B0
2.0–2.4999		B1
2.5–2.9999	L2M	B2
3.0–3.4999		B3
3.5–4.9999	L4M	B4
5.0–5.4999		B5
5.5–6.9999	L6M	B6
7.0–8.9999		B7
9.0–9.9999	L12M	B8
10.0–13.9999		
14.0–14.9999	L22M	
15.0–17.9999		
18.0–23.9999		
24.0–29.9999		

signals pass through the low-pass filter (MAIN unit; L202, L203, C202–C206), and are then applied to the 1st mixer circuit (Q201, Q202, Q204, Q205).

4-1-2 1ST MIXER AND IF CIRCUITS (MAIN UNIT)

The 1st mixer circuit converts the received signals into a fixed frequency, 64.445 kHz 1st IF signal using PLL output frequency. By changing the PLL frequency, only the desired frequency is picked up at the 64.445 kHz bandpass filter (FI201) at the next stage.

The IF amplifier (Q203) and resonator circuits are designed between the filter pair. The PLL output signal (1LO) enters the MAIN unit via the J601 and is amplified at the 1st LO amplifier (Q601). The amplified signal is passed through the 100 MHz cut-off low-pass filter (L602–L604, C602, C604–C607, C609) to suppress harmonic components, and then applied to the 1st mixer circuit (Q201, Q202, Q204, Q205).

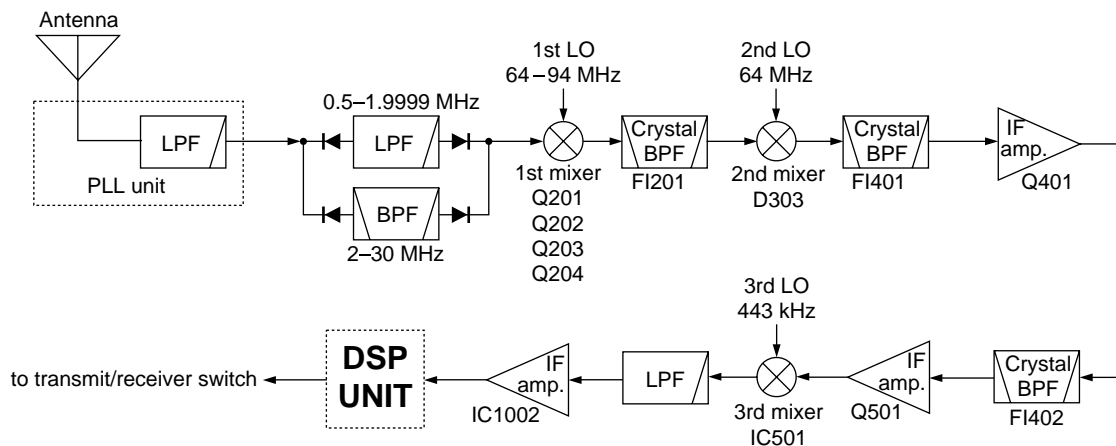
4-1-3 2ND MIXER AND IF CIRCUITS (MAIN UNIT)

The 1st IF signal from the bandpass filter (FI201) is converted again into a 455 kHz 2nd IF signal at the 2nd mixer circuit (D303, L303, L304). The 2nd LO signal (2LO) from the PLL unit enters the MAIN unit via the J301 to be applied to the 2nd mixer circuit.

4-1-4 3RD MIXER AND IF CIRCUITS (MAIN UNIT)

The 2nd IF signal passes through the low-pass filter (L305, C308, C310, C311, C315), and is then applied to the IF amplifier (Q401) via the ceramic bandpass filter (FI401). The amplified signal passes through the other ceramic bandpass filter (FI402), and then applied to the 3rd mixer circuit via the IF amplifier (Q501). The 2nd IF signal is converted into a 12 kHz 3rd IF signal at the 3rd mixer circuit (IC501). The 3rd LO signal (3LO) from the PLL unit enters the MAIN unit via the J3601 to be applied to the 3rd mixer circuit.

• RECEIVER CONSTRUCTION



4-1-5 DSP RECEIVER CIRCUIT (MAIN AND DSP UNITS)

The DSP (Digital Signal Processor) circuit enables digital IF filter, digital noise reduction, digital PSN (Pulse Shift Network), phase demodulation, digital automatic notch, and etc.

The 3rd IF signal is applied to the IF amplifier (MAIN unit; IC1002, pin 5) after being passed through the low-pass filter (MAIN unit; IC1002, pins 3, 1). The amplified 12 kHz 3rd IF signal is amplified at the differential amplifiers (IC9651a/b), and is then applied to the A/D convertor section in the CODEC IC (IC9501) on the DSP board. At the same time, the converted signal is level-shifted 5 V to 3.3 V in the IC (IC9501).

The level-shifted signal is applied to the DSP IC (IC9301) for the digital IF filter, demodulator, automatic notch and noise reduction, etc.

The output signal from the DSP IC is applied to the D/A converter section in the CODEC IC (IC9501) to convert into the analog audio signals. Also the signals are level-shifted 3.3 V to 5 V at the level converter section in the IC (IC9501).

The level-shifted audio signals are passed through the active filter (IC9701a), and then applied to the MAIN unit via J9901 (pin 22) as the "DSP02" signal.

4-1-6 AGC CIRCUIT (DSP AND MAIN UNITS)

The AGC (Automatic Gain Control) circuit reduces IF amplifier gain and attenuates IF signal to keep the audio output at a constant level.

The receiver gain is determined by the voltage on the AGC1 line from the DSP unit. The D/A converter for the AGC (IC9102) supplies control voltage to the AGC1 line and sets the receiver gain with the [RF/SQ] control.

The 3rd IF signal from the CODEC IC (IC9501) is detected at the AGC detector section in the DSP IC (IC9301). The output signal from the DSP IC is level-shifted at the level converter (IC9101) and applied to the D/A converter (IC9102). The AGC voltage is amplified at the buffer amplifier section in the IC9102 and applied to the MAIN unit to control the AGC1 line.

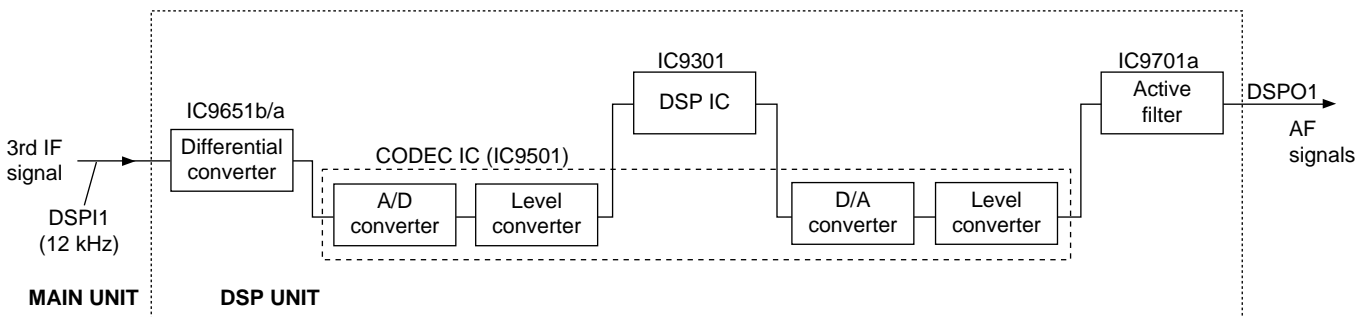
When receiving strong signals, the detected voltage increases and the AGC1 voltage decreases. As the AGC1 voltage is used for the bias voltage of the IF amplifiers (MAIN unit; Q203, Q401, Q501), IF amplifier gain is decreased.

4-1-7 AF AMPLIFIER CIRCUIT (DSP AND MAIN UNITS)

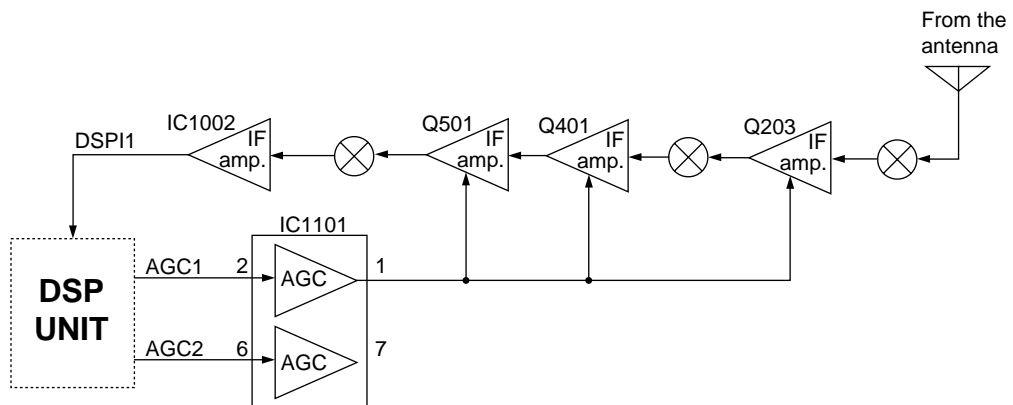
The AF amplifier amplifies the audio signals to the suitable driving level for the speaker.

The AF signals from the DSP unit are applied to the AF amplifier (MAIN unit; IC1651, pin 3) via the "DSPO2" line. The signals are amplified at the other AF amplifier (IC1651, pin 5) after being passed through the low-pass filter. The signals are applied to the AF mute switch (IC1602, pin 2), and then amplified at the AF power amplifier (IC1601, pin 1). The amplified signals are applied to the speaker (SP-26) after being passed through the speaker jack (J1451) via the "AFO" signal.

• DSP CIRCUIT



• AGC CIRCUIT



4-2 TRANSMITTER CIRCUITS

4-2-1 MICROPHONE AMPLIFIER CIRCUIT (RC-26, MAIN AND DSP UNITS)

The microphone amplifier circuit amplifies microphone audio signal to a level needed for the DSP circuit.

Audio signals from the [MIC] connector (J8701, pin 6) are amplified at the AF amplifier (IC8280, pin 3), and then applied to the gate modulator IC (MAIN unit; IC2001, pin 3) via the J2051, pin 1 as "FMOD" signal. The signal is applied to the DSP unit after being passed through the AF amplifier and low-pass filter IC (MAIN unit; IC1051, pins 3, 7) as "DSP11" signal.

4-2-2 DSP TRANSMITTER CIRCUIT (DSP UNIT)

The DSP (Digital Signal Processor) circuit enables PSN (Phase Shift Network)/Low Power/Phase modulator, transmitter monitor, side tone, and etc.

The microphone audio signals from the MAIN unit via the "DSP11" line are amplified at the differential amplifiers (IC9651a/b), and are then applied to the A/D converter section in the CODEC IC (IC9501). At the same time, the converted signals are level-shifted 5 V to 3.3 V in the IC (IC9501).

The level shifted signals are applied to the DSP IC (IC9301) and modulated at the DSP IC to produce the 12 kHz transmitter IF signal.

The modulated IF signal from the DSP IC is applied to the D/A converter section in the CODEC IC (IC9501) to convert into the analog IF signal. Also the signal is level-shifted 3.3 V to 5 V at the level converter section in the IC (IC9501).

The level-shifted IF signal is passed through the active filter (IC9701a), and then applied to the MAIN unit via J9901 (pin 17) as the "DSPO1" signal.

When the speech compressor function is ON, the level-shifted signal from the CODEC IC (IC9501) is applied to the DSP IC (IC9301) and compressed at the DSP IC to obtain an average audio level.

At the same time, the compressed signals are modulated at the DSP IC and applied to the D/A converter section in the CODEC IC (IC9501).

4-2-4 IF AMPLIFIER AND MIXER CIRCUITS (MAIN UNIT)

The modulated 3rd IF signal from the DSP unit ("DSPO1" signal: 12 kHz) passes through the transmit/receive switch (IC1703, pins 1, 6), and then applied to the 3rd mixer circuit (IC901, pin 3). The applied 3rd IF signal is mixed with the 3rd LO signal from the DDS circuit (PLL unit; IC5701) to produce a 455 kHz 2nd IF signal.

The 2nd IF signal is output from IC901, pin 5 and passes through the ceramic bandpass filter (FL402) to suppress the unwanted signals via the D132. The filtered 2nd IF signal is amplified at the 2nd IF amplifier (Q801), and then applied to the 2nd mixer circuit after being passed through the D305 and low-pass filter (L305, L306, C307, C308, C310, C311, C315).

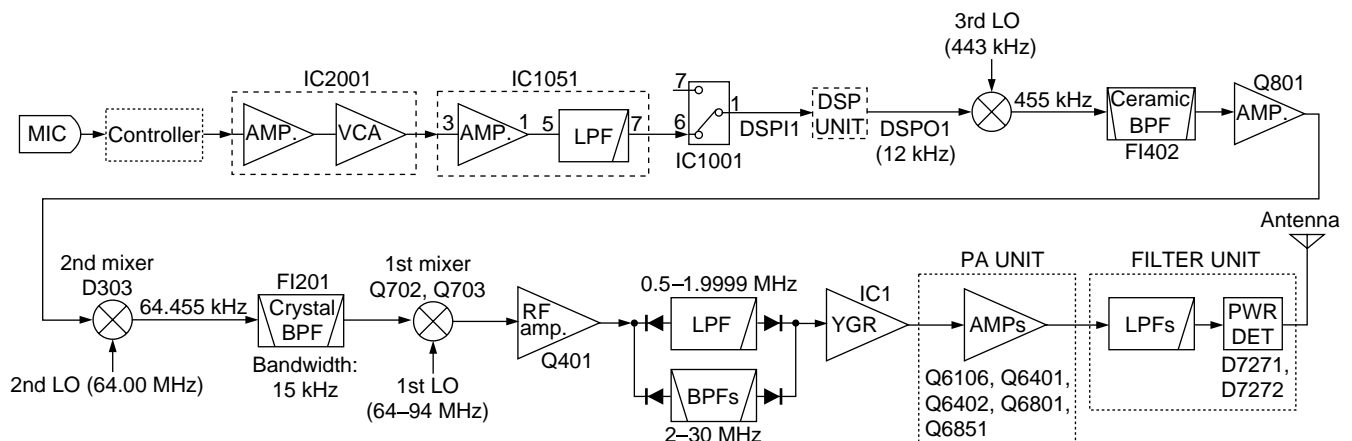
The 2nd IF signal is mixed with 64 MHz 2nd LO signal, coming from the PLL circuit, at the 2nd mixer circuit (D303) to obtain 64.455 MHz 1st IF signal. The 1st IF signal is passed through the bandpass filter (FI1201) to cut off the unwanted signals. The signal is applied to the transmitter mixer circuit (Q702, Q703) to obtain the desired signal via the transmit/receive switch (D205) and attenuator (R712, R715, R716).

The operating (transmitting) frequency is produced at the 1st IF mixer circuit (Q702, Q703) by mixing the 1st IF and 1st LO signals. The mixed signal is then applied to the RF circuit.

4-2-3 SPEECH COMPRESSOR CIRCUIT (DSP UNIT)

The DSP (Digital Signal Processor) circuit enables PSN. The speech compressor compresses the transmitter audio input signals to increase the average output level (average talk power).

• TRANSMIT CONSTRUCTION



4-2-5 RF CIRCUIT (MAIN, PA, PLL UNITS AND DRIVER BOARD)

The RF circuit amplifies operating (transmitting) frequency to obtain 100 W (125 W: 1.6–4 MHz for [OTH]) of RF output.

The RF signals from the 1st mixer circuit pass through the low-pass filter (L702, L703, C706, C707, C709–C711, C721), and are then applied to the RF amplifier (Q701).

The amplified signals pass through one of the low-pass filter or bandpass filters (Refer to page 4-1 bandpass filters used), and are then applied to the YGR amplifier (IC1, pin 1) after being passed through the attenuator (R5–R7). The amplified signals pass through the low-pass filter (L1–L3, C1–C7) and attenuator (R1–R3), and are then applied to the PA unit via J1.

The signals that applied from the MAIN unit are amplified at 2 amplifiers (PA unit; Q6101 and Q6801). A part of output signals from 2 amplifiers are applied to these amplifiers to improve the frequency characteristic by feedback. The amplified signals are applied to the drive amplifier (DRIVER board; Q6851) via the J6301 as "DRVI" signal. The signals from the DRIVER board pass through the impedance converter (PA unit; L6301), and then applied to push-pull amplifiers (PA unit; Q6401, Q6402) to obtain a stable 100 W of RF output power. A part of the RF output power returns to amplifiers to obtain a stable gain between 1.6 MHz and 27.5 MHz bands by using feedback transformer (L6404). The output RF signals are applied to the filter unit via the J6401 as "FLIN" signal.

The amplified signals are applied to the one of the 6 low-pass filters which are composed of chebychev type.

• 0.5–2.49999 MHz signals

The signals are applied to the relay (FILTER unit; RL7031). The signals pass through the low-pass filter (FILTER unit; L7036, L7037, C7033–C7036, C7038–C7040), and are then applied to the RL7032 which is controlled by the band control IC (MAIN unit; IC3602) as the "L1M" signal via the buffer amplifier (MAIN unit; IC1301, pin 13).

• 2.5–3.49999 MHz signals

The signals are applied to the relay (FILTER unit; RL7061). The signals pass through the low-pass filter (FILTER unit; L7067, L7068, C7072, C7073, C7077–C7083), and are then applied to the RL7062 which is controlled by the band control IC (MAIN unit; IC3602) as the "L2M" signal via the buffer amplifier (MAIN unit; IC1301, pin 14).

• 3.5–5.49999 MHz signals

The signal is applied to the relay (FILTER unit; RL7091). The signals pass through the low-pass filter (FILTER unit; L7096, L7097, C7094–C7099, C7105–C7107), and are then applied to the RL7092 which is controlled by the band control IC (MAIN unit; IC3602) as the "L4M" signal via the buffer amplifier (MAIN unit; IC1301, pin 15).

• 5.5–8.9999 MHz signals

The signals are applied to the relay (FILTER unit; RL7121). The signals pass through the low-pass filter (FILTER unit; L7127, L7128, C7123, C7126–C7131), and are then applied to the RL7122 which is controlled by the band control IC (MAIN unit; IC3602) as the "L6M" signal via the buffer amplifier (MAIN unit; IC1301, pin 16).

• 9–14.9999 MHz signals

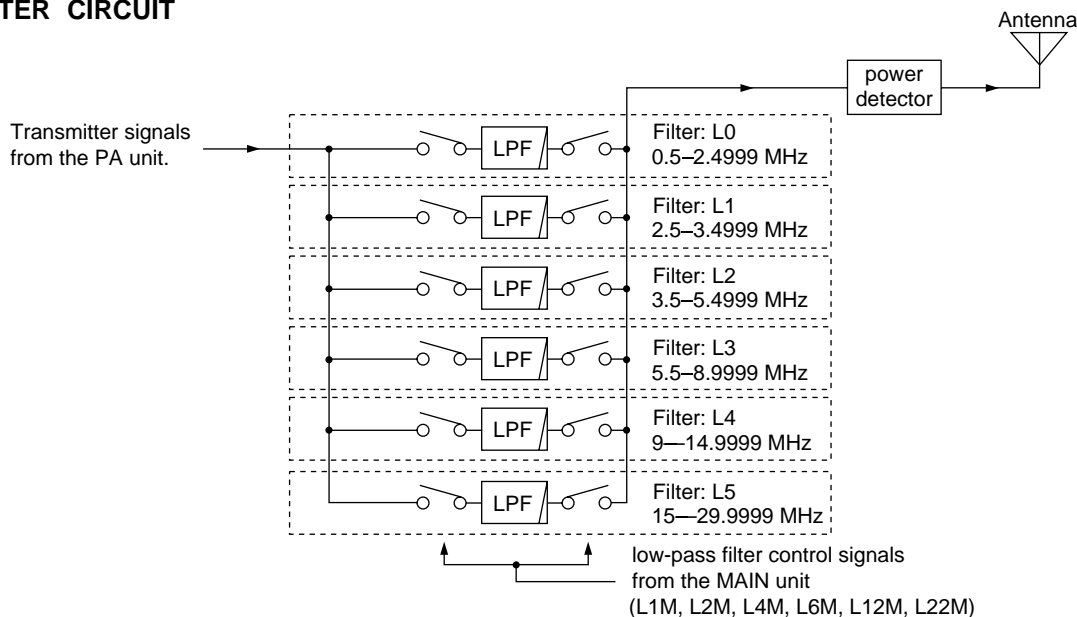
The signals are applied to the relay (FILTER unit; RL7181). The signals pass through the low-pass filter (FILTER unit; L7183, L7184, C7183–C7188, C7193–C7196), and are then applied to the RL7182 which is controlled by the band control IC (MAIN unit; IC3602) as the "L12M" signal via the buffer amplifier (MAIN unit; IC1301, pin 17).

• 15–29.9999 MHz signals

The signals are applied to the relay (FILTER unit; RL7241). The signals pass through the low-pass filter (FILTER unit; L7245, L7246, C7243–C7245, C7247, C7248, C7253), and are then applied to the RL7242 which is controlled by the band control IC (MAIN unit; IC3602) as the "L22M" signal via the buffer amplifier (MAIN unit; IC1301, pin 18).

The filtered signal is applied to the antenna connector after being passed through the RL7301 and J7211.

• RF FILTER CIRCUIT



4-2-6 ALC CIRCUIT (PLL AND MAIN UNITS)

The ALC (Automatic Level Control) circuit controls the gain of IF amplifiers in order for the transceiver to output a constant RF power even when the supplied voltage shifts, etc.

The RF power level is detected at the power detector circuit (PLL unit; D7271) to be converted into DC voltage and applied to the MAIN unit as the "FOR" signal.

The "FOR" signal is applied to the comparator (IC1201, pin 2). The "POCV" signal is also applied to the other input (pin 3) for reference. The compared signal is output from pin 1 and applied to the IF amplifier in the MAIN (Q801) unit to control amplifying gain.

When the "FOR" signal exceeds the "POCV" voltage, ALC bias voltage from the comparator controls the IF amplifiers. This adjusts the output power to a specified level until the "FOR" and "POCV" voltages are equalized.

4-2-7 APC CIRCUIT (PLL AND MAIN UNITS)

The APC (Automatic Power Control) circuit protects the power amplifiers on the PA unit from high SWR and excessive current.

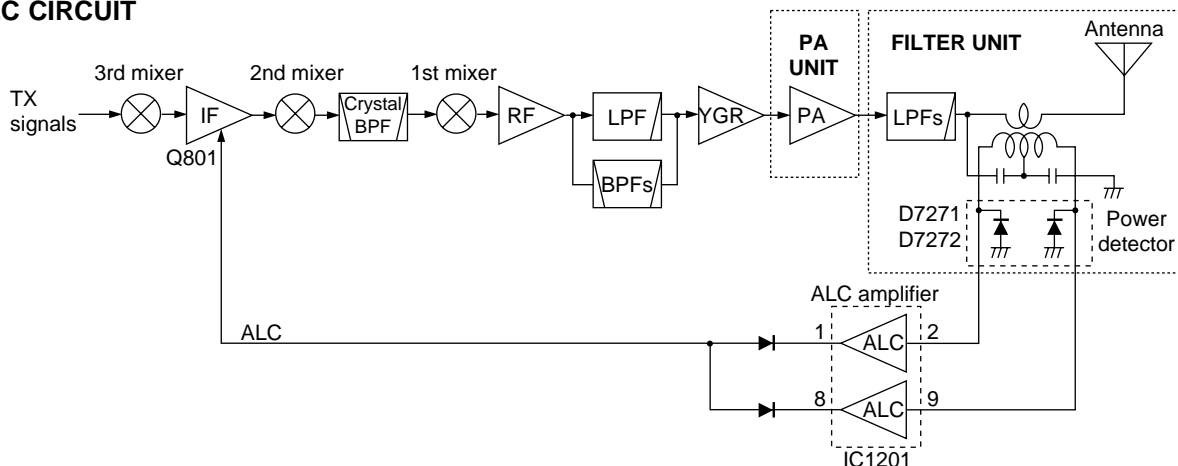
• SWR APC CIRCUIT (PLL AND MAIN UNITS)

The reflected wave signal appears and increases on the antenna connector. When the antenna is mismatched, D7272 of the power detector circuit (D7271, D7272, L7272) in the PLL unit detects the signal and applies it to the ALC amplifier (IC1201, pin 9) in the MAIN unit as "REF" signal. The output signal decreases the bias voltage of the RF APC amplifier to reduce the output power.

• CURRENT APC CIRCUIT (PA AND MAIN UNITS)

The power transistor current is detected from the different voltage between both terminals of a 0.012 Ω resistor (R6651) on the PA unit. The detected voltage is applied to the differential amplifier (IC6501). When the current of the final transistors is more than 30 A, the detected voltage is applied to the APC amplifier controller (IC1201) in the MAIN unit to reduce the gate-2 voltage of the IF amplifier (Q801) and thus reduce the output power.

• ALC CIRCUIT



4-2-8 RF METER CIRCUIT (MAIN UNIT)

The output of ALC amplifier (IC1201, pin 14) is applied to the CPU (IC3303, pin 97) as "RFML" signal to indicate the transmit power level on the display.

For antenna current meter indication, the "ANTM" signal from the optional AT-130E is applied to the meter amplifier (IC1201, pin 12) via the J6701 in the PA unit.

4-3 PLL CIRCUITS

4-3-1 GENERAL

The PLL circuits generate a reference frequency (32.000 MHz); 1st LO frequencies (64.485–94.455 MHz); 2nd LO frequency (64 MHz), 3rd LO frequency (422.500 kHz).

The 1st LO PLL adopts a mixer-less dual loop PLL system. The BFO uses a DDS and a 2nd LO as a fixed frequency double that the crystal oscillator.

4-3-2 1ST LO PLL (PLL UNIT)

The 1st LO PLL contains a main and reference loop as a dual loop system.

The reference loop generates an approximate 10.5 MHz frequency using a DDS circuit, and the main loop generates a 64.485 to 94.455 MHz frequency using the reference loop frequency.

(1) REFERENCE LOOP PLL

The oscillated signal at the reference VCO (Q5301, D5301) is amplified at the amplifiers (Q5302, Q5351) and is then applied to the DDS IC (IC5101, pin 46). The signal is then divided and detected on phase with the DDS generated frequency.

The detected signal output from the DDS IC (pin 56) is converted into DC voltage (lock voltage) at the loop filter (R5136, R5146, C5112) and then fed back to the reference VCO circuit (Q5301, D5301).

(2) MAIN LOOP PLL

The oscillated signal at one of the main loop VCOs (Q5521, D5521, L5523) is amplified at the buffer amplifiers (Q5601, Q5604) and is then applied to the PLL IC (IC5401, pin 6). The signal is then divided and detected on phase with the reference loop output frequency.

The detected signal output from the PLL IC (pin 2) is converted into a DC voltage (lock voltage) at the loop filter and then fed back to one of the VCO circuits (Q5521, D5521, L5523).

The oscillated signal from the buffer amplifier (Q5601) is also applied to the MAIN unit via the "M1LO" line as a 1st LO signal after being amplified at LO (Q5602) and buffer (Q5603) amplifiers or passed through the bandpass filter (L5602–L5604, C5610–C5616).

4-3-3 2ND LO AND REFERENCE OSCILLATOR CIRCUITS (PLL UNIT)

The reference oscillator (X5251) generates a 32.0 MHz frequency for the DDS circuits as a system clock and for the LO output. The oscillated signal is doubled at the doubler circuit (Q5202) and the 64.0 MHz frequency is picked up at the double tuned filter (L5203, L5204). The 64.0 MHz signal is applied to the RF circuit via the "M2LO" line as a 2nd LO signal.

4-3-3 3RD LO CIRCUIT (PLL UNIT)

The DDS IC (IC5701) generates a 10-bit digital signal using the 32 MHz system clock. The digital signal is converted into an analog wave signal at the D/A converter (R5701–R5720). The converted analog wave is passed through the low-pass filter (L5781–L5783, C5781–C5785) and is then applied to the MAIN unit as the 3rd LO signal (422.500 kHz) via the attenuator (R5781–R5783).

4-4 FRONT UNIT (RC-26)

4-4-1 LCD CIRCUIT (DISPLAY AND CONNECT BOARDS)

The LCD (CONNECT board; DS8920) is controlled by the LCD driver (CONNECT board; IC8940) via the drive signals (CL1, RES, CS, RS, WR, RD, DB0–DB7) from the display board. The LCD's back light employs 5 LEDs (DS8300–DS8304). The LEDs are controlled by dimmer (Q8300, Q8303) and dimmer controller (IC8280) circuits.

4-4-2 MICROPHONE CIRCUIT (DISPLAY BOARD)

The AF signals from the microphone are amplified at the AF amplifier (IC8280) via the "MIC" signal. The signals are applied to the IC-F7000's main unit through the J2501, pin 1 via the "FMODE" line.

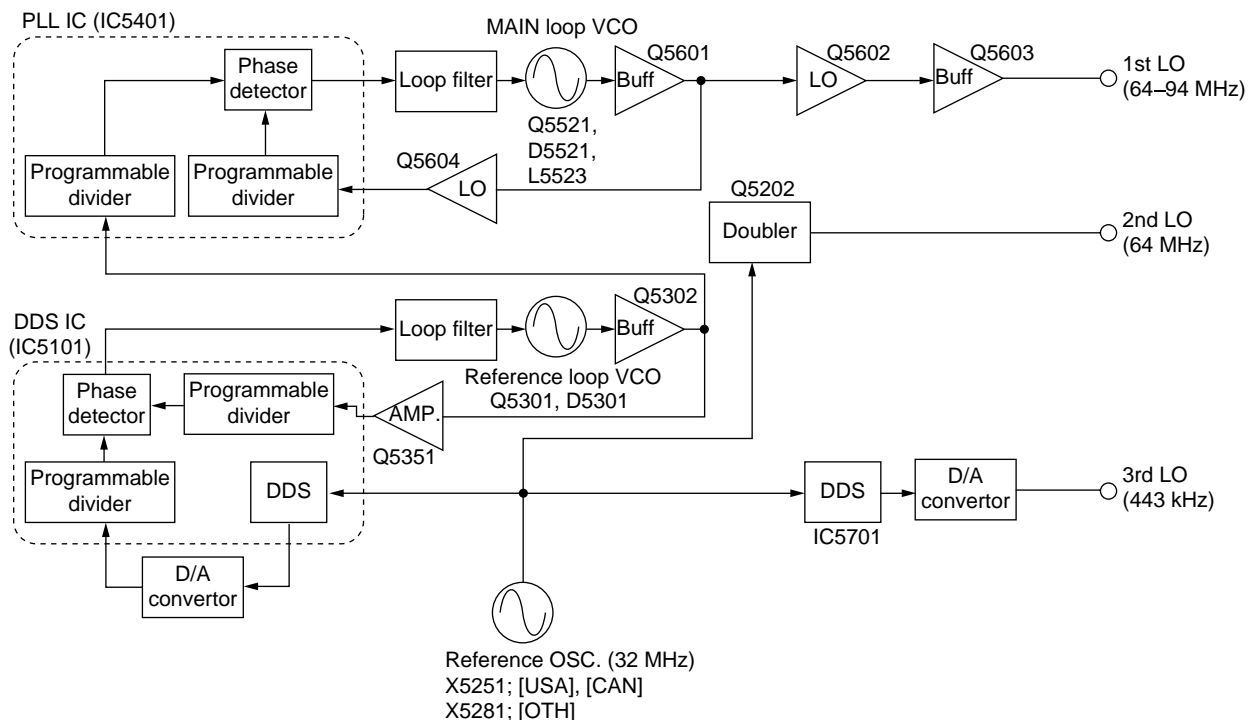
4-4-3 KEY'S BACK LIGHTS CIRCUIT (DISPLAY BOARD)

The key's back lights compose of DS8305, DS8306, DS8308, DS8309, DS8311–DS8314, and are controlled by the dimmer (Q8301) and dimmer controller (IC8280) circuits. The dimmer circuit is controlled by the FRONT CPU.

4-4-4 RESET CIRCUIT (DISPLAY BOARD)

The reset IC (IC8202) resets the FRONT CPU (IC8201) when IC-F7000 is power ON or OFF.

• PLL CIRCUIT



4-5 POWER SUPPLY CIRCUITS

4-5-1 PA UNIT VOLTAGE LINE

LINE	DESCRIPTION
HV13	The voltage from an external power supply.
HV	The same voltage as the HV13 line passed through the fuse (F6701).
S13V	The same voltage as the HV13 line passes through the switching relay (RL6701).
13.8	The same voltage as the HV13 line passes through the switching relay (RL6701).
PA8V	8 V for transmitter circuits regulated by the +8 regulator circuit (IC6601).
T8V	8 V for transmitter circuits regulated by the T8 regulator circuit (Q6601, Q6602).

4-5-2 DISPLAY BOARD (RC-26) VOLTAGE LINE

LINE	DESCRIPTION
H13V	The voltage from PA and MAIN units via the J8201.
10V	Common 10 V converted from the 13 V line and regulated by the +10 regulator circuit (IC8301).
5V	Common 5 V converted from the 5 V line and regulated by the +5 regulator circuit (IC8290).
8V	Common 8 V converted from the 8 V line and regulated by the +8 regulator circuit (IC8310).

4-5-3 PLL UNIT VOLTAGE LINE

LINE	DESCRIPTION
HV13	The voltage from MAIN units via the J5001, pin 1.
H5V	Common 5 V line from the MAIN unit via the J7331, pin 21.
5V	Common 5 V converted from the 13 V line and regulated by the +5 regulator circuit (IC5001).
8VL	Common 8 V converted from the 13 V line and regulated by the +8 regulator circuit (IC5031).

4-5-4 MAIN UNIT VOLTAGE LINE

LINE	DESCRIPTION
S13V	The voltage from the PA unit via the J1901.
R13V	Receive 13 V converted from the S13V line and regulated by the R13 regulator circuit (Q1505).
8V	Common 8 V converted from the S13V line and regulated by the +8 regulator circuit (IC1502).
-5V	Common -5 V converted from the S13V line and regulated by the -5 V DC-DC converter (IC1551, D1551, D1552).
T8	Transmit 8 V converted from the S13V line and regulated by the T8 regulator circuit (Q1501).
R8	Receive 8 V converted from the S13V line and regulated by the R8 regulator circuit (Q1502).
5V	Common 5 V converted from the S13V line and regulated by the +5 regulator circuit (IC1501).
H5V	Common 5 V converted from the HV13 line and regulated by the +5 regulator circuit (IC3101).
HV	Common 5 V converted from the HV13 line and regulated by the +5 regulator circuit (IC3101).

4-6 PORT ALLOCATIONS

4-6-1 MAIN CPU (MAIN UNIT; IC3303)

Pin number	Port name	Description
1	TXS	Outputs T8 regulator circuit (MAIN unit; Q1501) control signal.
2	RXS	Outputs R8 and R13V regulator circuits (MAIN unit; Q1502, Q1505) control signal.
3	PSEL	Outputs serial strobe signal to the latch control IC (IC3601, pin 1).
4	BEEP	Outputs beep audio signals.
6	PDAT	Outputs serial data signal for the PLL circuits.
7	PCK	Outputs serial clock signal for the PLL circuit.
19	PWRS	Outputs switching relay (PA unit; RL6701) control signal.
23	DRES	Outputs the RESET signal.
24	STBO	Outputs strobe signal for the DSP IC.
26	RQO	Outputs data signal for the DSP IC.
27	RQI	Outputs serial data signal for the DSP IC.
28	DO	Input port for the serial data signal from the DSP IC.
29	NMEI	Input port for the NMEA signal.
30	NMEO	Outputs NMEA signal for PLL unit.
32	NMEI2	Input port for the GPS signal from the PLL unit.
33	LSTB	Outputs serial strobe signal for the IC3602, IC3603.
34	DSTB	Outputs strobe signal for the D/A converter IC (IC3606).
37	LCK	Outputs serial clock signal for IC3602–IC3605, D/A converter IC (IC3606) and DSP IC.
38	LDAT	Outputs serial data signal for the IC3602, IC3603 and D/A converter IC (IC3606).
47	MSTB	Outputs serial strobe signal for the IC3603, IC3605.
48	PSTB	Outputs PLL strobe control signal for the LATCH controller (IC3601).
49	SQLC	Outputs squelch control signal for the SQL switching IC (IC1701).
79	UNLK	Input port for PLL unlock signal.
80	KEYS	Input port for the optional antenna tuner key control signal via the PA unit.
89	EDT	I/O port for the serial data signals from/to the EEPROM (IC3301, pin 5).

MAIN CPU (MAIN UNIT; IC3303)—continued

Pin number	Port name	Description
90	ECK	Outputs serial clock signal for the EEPROM (IC3301, pin 6).
92	ASEN	Input port for the SEND signal from the accessory connector (J1801).
93	TEMP	Input port for the power amplifier temperature signal from the PA unit.
94	NSEN	Input port for the SEND signal from the AF/MOD connector (PLL unit; J5051, pin 8) via the J3602.
97	RFML	Input port for the RF/ANTC meter's voltage from the meter amplifier (IC1201, pin 14).

4-6-2 OUTPUT EXPANDER IC FOR THE PLL STROBE (MAIN UNIT; IC3601)

Pin number	Port name	Description
4	PST1	Outputs strobe signal for the DDS IC (PLL unit; IC5101, pin 91).
5	PST2	Outputs strobe signal for the PLL IC (PLL unit; IC5401, pins 13).
6	PST3	Outputs strobe signal for the DDS IC (PLL unit; IC5701, pin 41).

4-6-3 OUTPUT EXPANDER IC FOR THE PLL UNIT (MAIN UNIT; IC3602)

Pin number	Port name	Description
4	L0S	Outputs 1.6–2.499999 MHz low-pass filter control signal.
5	L1S	Outputs 2.5–3.499999 MHz low-pass filter control signal.
6	L2S	Outputs 3.5–5.499999 MHz low-pass filter control signal.
7	L3S	Outputs 5.5–8.999999 MHz low-pass filter control signal.
13	L5S	Outputs 15–29.999999 MHz low-pass filter control signal.
14	L4S	Outputs 9–14.999999 MHz low-pass filter control signal.

4-6-4 OUTPUT EXPANDER IC FOR BANDPASS FILTERS (MAIN UNIT; IC3604)

Pin number	Port name	Description
4	B0S	Outputs 0.5–1.999999 MHz bandpass filter control signal.
5	B1S	Outputs 2–2.999999 MHz bandpass filter control signal.
6	B2S	Outputs 3–4.999999 MHz bandpass filter control signal.
7	B3S	Outputs 5–6.999999 MHz bandpass filter control signal.
11	B7S	Outputs 18–23.999999 MHz bandpass filter control signal.
12	B6S	Outputs 14–17.999999 MHz bandpass filter control signal.
13	B5S	Outputs 10–13.999999 MHz bandpass filter control signal.
14	B4S	Outputs 7–9.999999 MHz bandpass filter control signal.

4-6-6 D/A CONVERTER IC (MAIN UNIT; IC3606)

Pin number	Port name	Description
5	POCV	Outputs transmit power control signal. The signal is applied to the ALC amplifier (IC1201, pin 3) and RF amplifier (Q701).
11	FANS	Outputs the cooling fan control signal. The signal is applied to the fan controller (PA unit; IC6501, Q6501).
13	TRXS	Outputs the transmitter/receiver switching signal. The signal is applied to the switching relay circuit (PLL unit; RL7301).

4-6-5 OUTPUT EXPANDER IC (MAIN UNIT; IC3603)

Pin number	Port name	Description
4	NMS	Outputs NBDP MOD control signal for the gate mod IC (IC2001, pin 10).
5	EMS	Outputs external MOD control signal for the gate mode IC (IC2001, pin 11).
6	MMS	Outputs microphone MOD control signal for the gate mode IC (IC2001, pin 9).
11	NMR	Outputs NMEA/RS-232C switching signal.
13	AFMS	Outputs AF mute control signal.
14	CSEN	Outputs SEND control signal for the buffer amplifier (IC1303, pin 6).

4-6-7 FRONT CPU PORT ALLOCATIONS (RC-26, DISPLAY BOARD; IC8201)

Pin number	Port name	Description											
15–17	CS WR RD	Outputs LCD drive signals.											
21	CALK	Input port for the [CALL] switch. Low: [CALL] switch is pushed.											
22	UPK	Input port for the [▲] switch. Low: [▲] switch is pushed.											
23	UNK	Input port for the [▼] switch. Low: [▼] switch is pushed.											
24	SELA	Input port for the select dial A signal.											
25	SELB	Input port for the select dial B signal.											
27	PCON	Input port for the [POWER] switch detection signal. Low: [POWER] switch is pushed.											
28	IOK	Input port for the [I/O] switch.											
31	MUDK	Input port for [▲], [▼] switches from the microphone (HM-143).											
32	MPTT	Input port for the [PTT] switch from the microphone connector (J8701, pin 5).											
37	DIM	Outputs LCD back light dimmer control signal.											
		<table border="1"> <thead> <tr> <th>Dimmer</th> <th>Brightness</th> <th>Voltage</th> </tr> </thead> <tbody> <tr> <td rowspan="2">ON</td> <td>0 (dark)</td> <td>0 V</td> </tr> <tr> <td>1 to 10 (bright)</td> <td>0.8 V to 3.6 V</td> </tr> <tr> <td>OFF</td> <td></td> <td>5.6 V</td> </tr> </tbody> </table>	Dimmer	Brightness	Voltage	ON	0 (dark)	0 V	1 to 10 (bright)	0.8 V to 3.6 V	OFF		5.6 V
		Dimmer	Brightness	Voltage									
		ON	0 (dark)	0 V									
1 to 10 (bright)	0.8 V to 3.6 V												
OFF		5.6 V											
39	ETXD	Outputs cloning data.											
40	ERXD	Input port for cloning data.											
48	SCNK	Input port for the [SCAN] switch Low: [SCAN] switch is pushed.											
49	TUNK	Input port for the [TUNE] switch Low: [TUNE] switch is pushed.											
50	MUTK	Input port for the [MUTE] switch Low: [MUTE] switch is pushed.											
51	EMGK	Input port for the [EMG] switch Low: [EMG] switch is pushed.											
52	TRK	Input port for the [←] switch Low: [←] switch is pushed.											
53	TLK	Input port for the [→] switch Low: [→] switch is pushed.											
54	T0K	Input port for the [0] switch Low: [0] switch is pushed.											
55	T9K	Input port for the [9] switch. Low: [9] switch is pushed.											
57	T8K	Input port for the [8] switch. Low: [8] switch is pushed.											

Pin number	Port name	Description
58	T7K	Input port for the [7] switch. Low: [7] switch is pushed.
59	T6K	Input port for the [6] switch. Low: [6] switch is pushed.
60	T5K	Input port for the [5] switch. Low: [5] switch is pushed.
61	T4K	Input port for the [4] switch. Low: [4] switch is pushed.
62	T3K	Input port for the [3] switch. Low: [3] switch is pushed.
63	T2K	Input port for the [2] switch. Low: [2] switch is pushed.
64	T1K	Input port for the [1] switch. Low: [1] switch is pushed.
65–72	DB0–DB7	I/O ports for LCD driver control signals.
74	RS	Outputs resistor select signal for the LCD driver. High: Index resistor is selected. Low: Data resistor is selected.
75	RES	Outputs reset signal for the LCD driver. Low: The LCD driver is reseted.
76	MSEL	Outputs mic gain select signal. High: Capacitor microphone is selected. Low: Moving-conductor microphone is selected.
77	MBKS	Outputs microphone key back light control signal. Low: Lights ON.

SECTION 5 ADJUSTMENT PROCEDURES

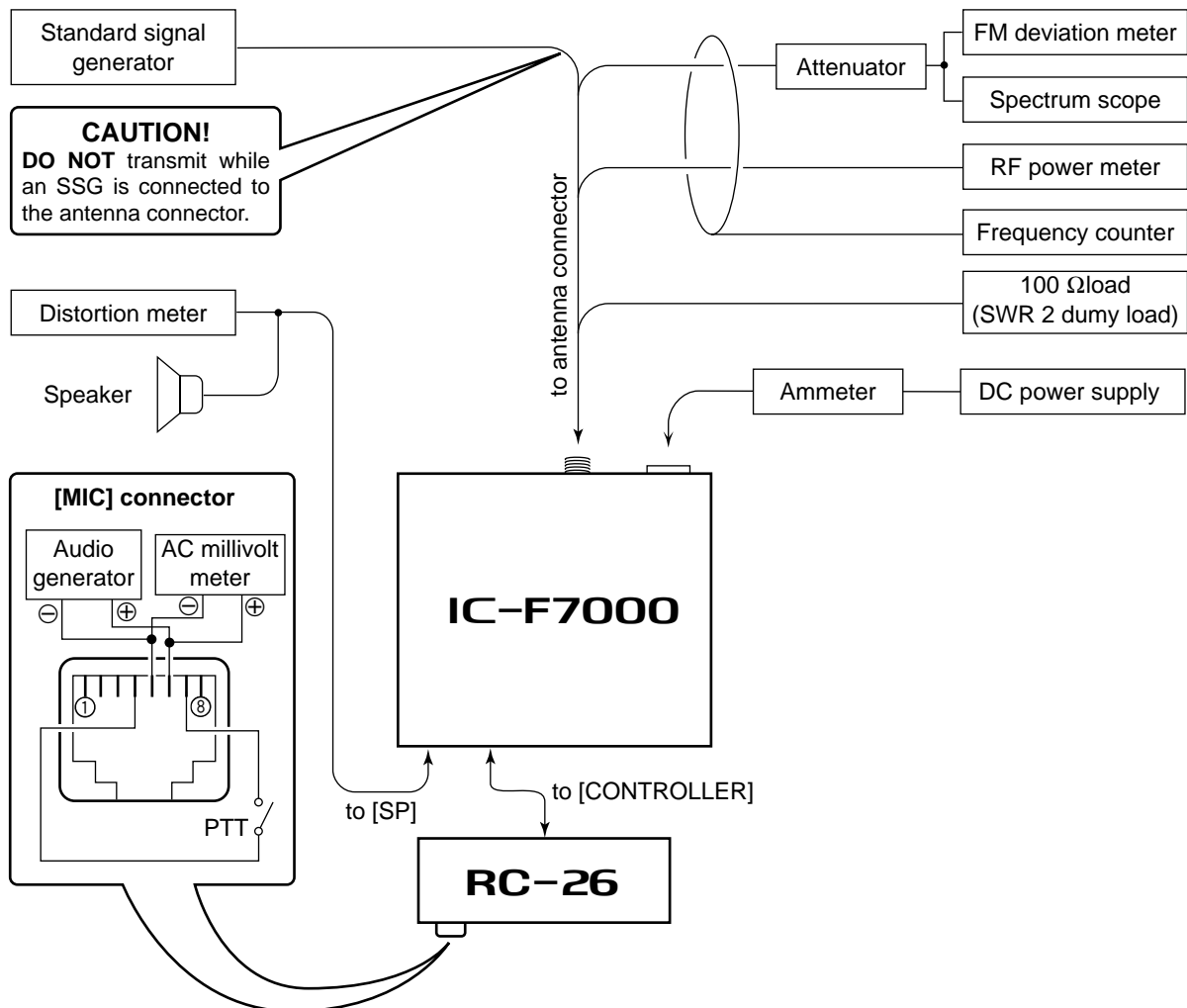
5-1 PREPARATION

When adjusting the contents on page 5-9, a JIG CABLE (see illustration as below) is required. Some adjustments must be performed on the "ADJUSTMENT MODE". Entering the "ADJUSTMENT MODE", refer to the next page in detail.

■ REQUIRED TEST EQUIPMENT

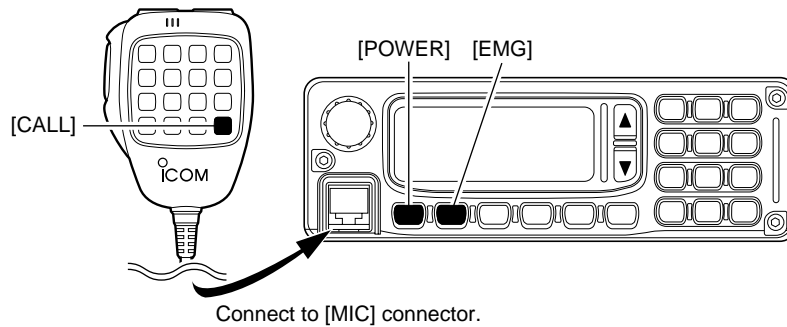
EQUIPMENT	GRADE AND RANGE	EQUIPMENT	GRADE AND RANGE
DC power supply	Output voltage : 13.8 V DC Current capacity : 25 A or more	Audio generator	Frequency range : 300–3000 Hz Output level : 1–500 mV
RF power meter (terminated type)	Measuring range : 1–200 W Frequency range : 0.5–50 MHz Impedance : 50 Ω SWR : Less than 1.2 : 1	Attenuator	Power attenuation : 50 or 60 dB Capacity : 150 W or more
Frequency counter	Frequency range : 0.1–50 MHz Frequency accuracy : ±1 ppm or better Sensitivity : 100 mV or better	Standard signal generator (SSG)	Frequency range : 0.5–30 MHz Output level : 0.1 μV–32 mV (–127 to –17 dBm)
FM deviation meter	Frequency range : DC–50 MHz Measuring range : 0 to ±5 kHz	DC voltmeter	Input impedance : 50 kΩ/V DC or better
Digital multimeter	Input impedance : 10 MΩ/V DC or better	Oscilloscope	Frequency range : DC–20 MHz Measuring range : 0.01–20 V
		AC millivoltmeter	Measuring range : 10 mV–10 V

• CONNECTION



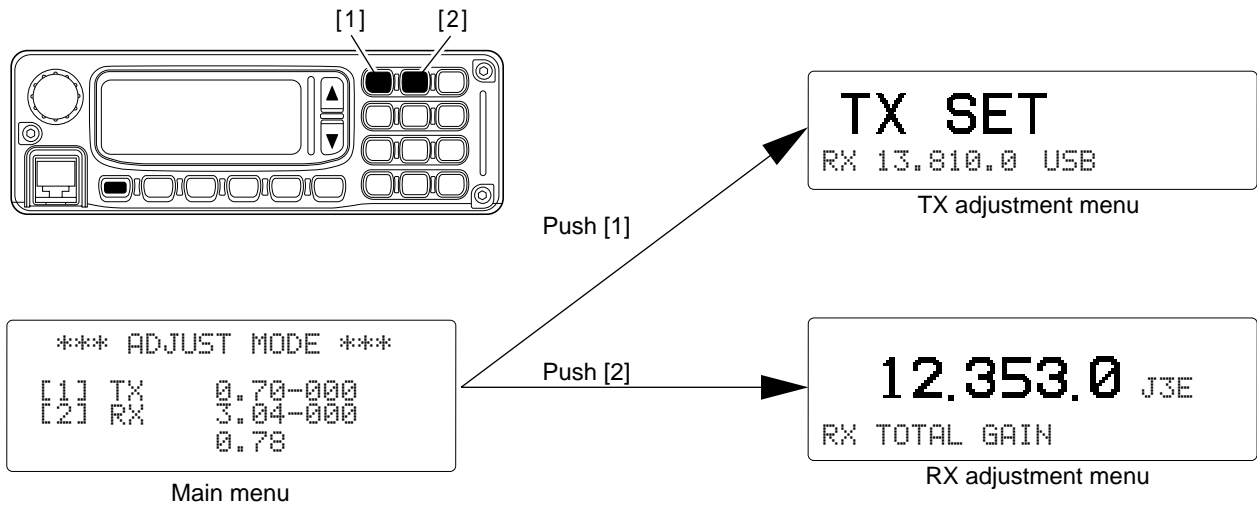
■ ENTERING THE ADJUSTMENT MODE

- ① Turn the power OFF.
- ② Push and hold the HM-146's [CALL] and RC-26's [EMG] switches, then turn the power ON.

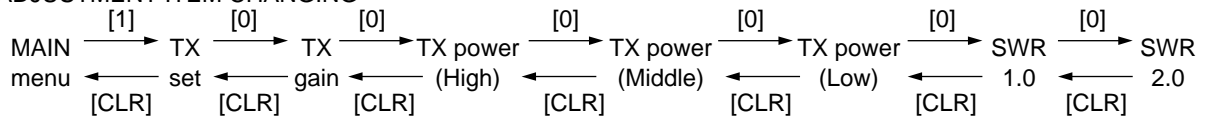


■ OPERATING ON THE ADJUSTMENT MODE

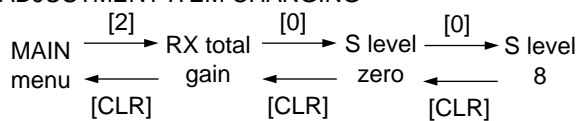
- Enter the TX adjustment from the MAIN menu. : Push the RC-26 [1] button
- Enter the RX adjustment from the MAIN menu. : Push the RC-26 [2] button
- Change the adjustmet value. : Turn the RC-26 [VOL]
- Write the adjustment data to the memory, and then change the next adjustmet item. : Push the RC-26 [OK ►] button
- Selects the next adjustment item. : Push the RC-26 [0] button
- Selects to the previous adjustment item. : Push the RC-26 [◀ CLR] button



• TX ADJUSTMENT ITEM CHANGING



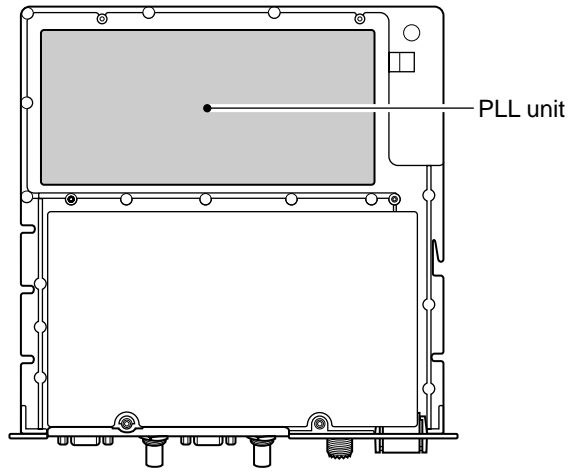
• RX ADJUSTMENT ITEM CHANGING



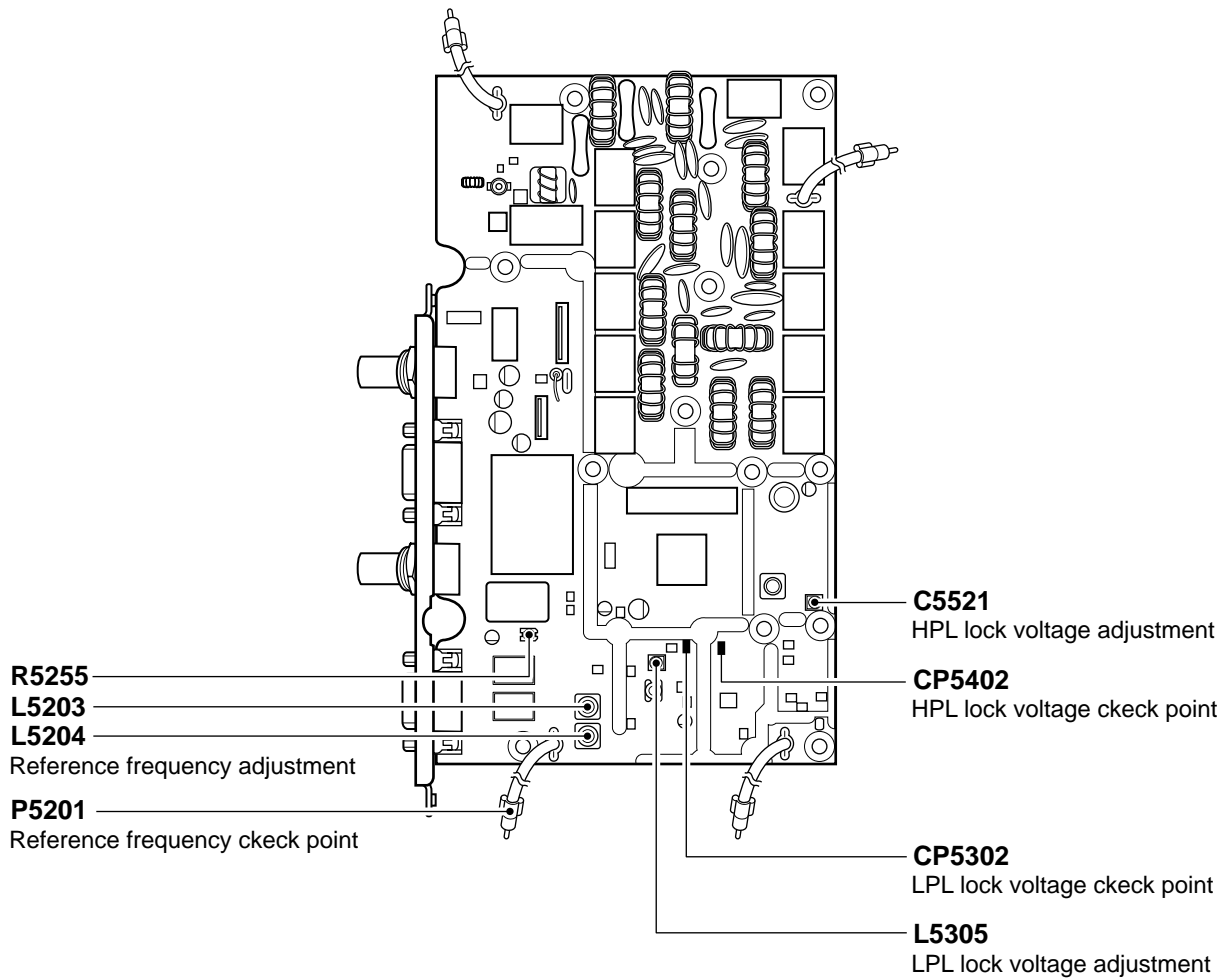
5-2 PLL UNIT ADJUSTMENT

ADJUSTMENT	ADJUSTMENT CONDITIONS	MEASUREMENT		VALUE	ADJUSTMENT	
		UNIT	LOCATION		UNIT	ADJUST
LPL LOCK VOLTAGE	1 <ul style="list-style-type: none"> Operating frequency : 0.5000 MHz Mode : J3E Receiving 	PLL	Connect a digital multi meter or oscilloscope to the check point CP5301.	1.0 V	PLL	C5305
	2 <ul style="list-style-type: none"> Operating frequency : 0.4999 MHz Receiving 			Less than 4.0 V		Verify
HPL LOCK VOLTAGE	1 <ul style="list-style-type: none"> Operating frequency : 29.9999 MHz Mode : J3E Receiving 	PLL	Connect a digital multi meter or oscilloscope to the check point CP5401.	4.2 V	PLL	C5521
	2 <ul style="list-style-type: none"> Operating frequency : 0.0300 MHz Receiving 			More than 0.8 V		Verify
REFERENCE FREQUENCY	1 <ul style="list-style-type: none"> Wait for 5 minutes after power ON. Terminate P5201 on the PLL unit to ground with a 50 Ω resistor. Receiving 	PLL	Connect an RF volt-meter to the check point P5201.	Maximum level	PLL	L5203, L5204
	2			Connect a frequency counter to the check point P5201.		64.000000 MHz

• IC-F7000 BOTTOM VIEW



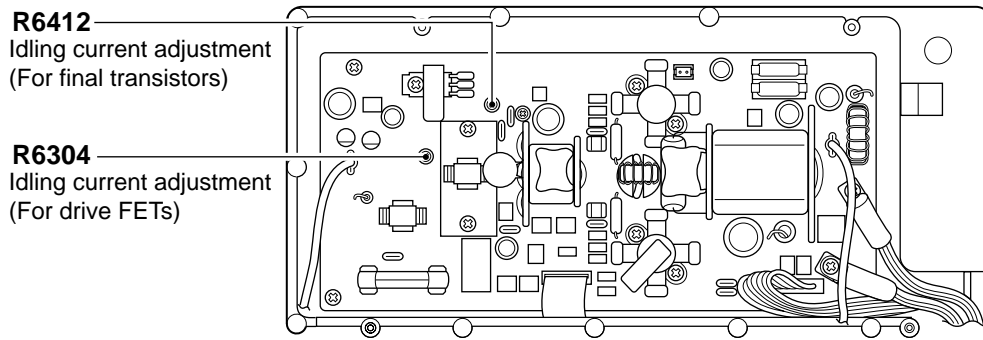
• PLL UNIT TOP VIEW



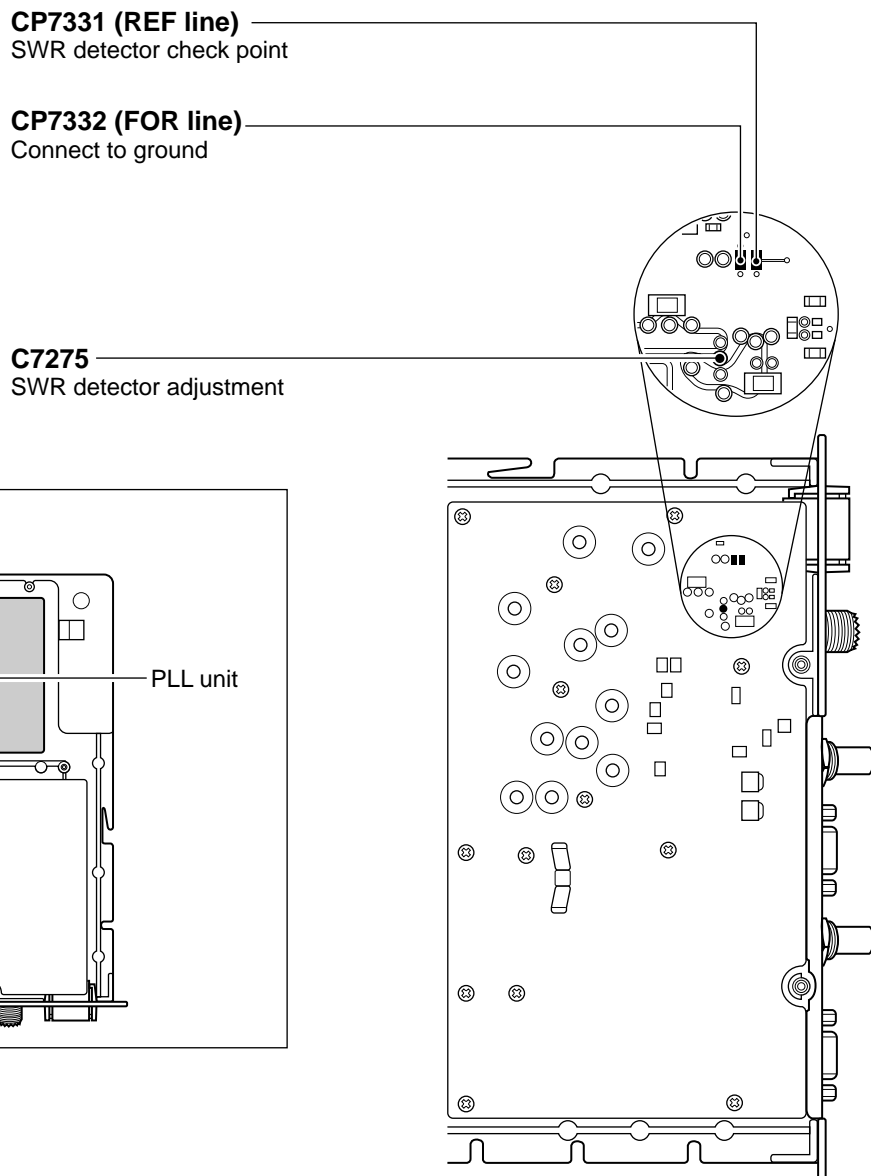
5-3 PA AND FILTER UNITS ADJUSTMENT

ADJUSTMENT	ADJUSTMENT CONDITIONS	MEASUREMENT		VALUE	ADJUSTMENT		
		UNIT	LOCATION		UNIT	ADJUST	
IDLING CURRENT (For drive FETs)	1	<ul style="list-style-type: none"> Operating frequency : 12.2350 MHz Mode : J3E Apply no audio signal to the [MIC] connector. Disconnect J6702. Preset R6304 and R6412 on the PA unit to max. counter clockwise. Preset R6515 on the PA unit to max. clockwise. Connect a dummy load or RF power meter to the [ANT] connector. Transmitting 	Rear panel	Connect an ammeter (10 A) between an external power supply and the transceiver.	2.0 A	PA	R6304
	(For final transistors)	2	<ul style="list-style-type: none"> Transmitting 		0.7 A		R6412
<ul style="list-style-type: none"> After adjustment, connect J6701 to the PA unit. 							
SWR DETECTOR	1	<ul style="list-style-type: none"> Operating frequency : 22.0000 MHz Mode : J3E Connect the CP7332 (FOR line) on the FILTER unit to ground. 	Rear panel	Connect an RF power meter to the [ANT] connector.	90 W	Audio generator	Output level
	2	<ul style="list-style-type: none"> Connect an audio generator to the [MIC] connector and set as: Frequency : 1.5 kHz Level : OFF Transmitting 	FILTER	Connect a DC voltmeter to the check point, CP7331.	Minimum level	FILTER	C7275
	<ul style="list-style-type: none"> After adjustment, disconnect CP7332 (FOR line) on the FILTER unit from ground. 						

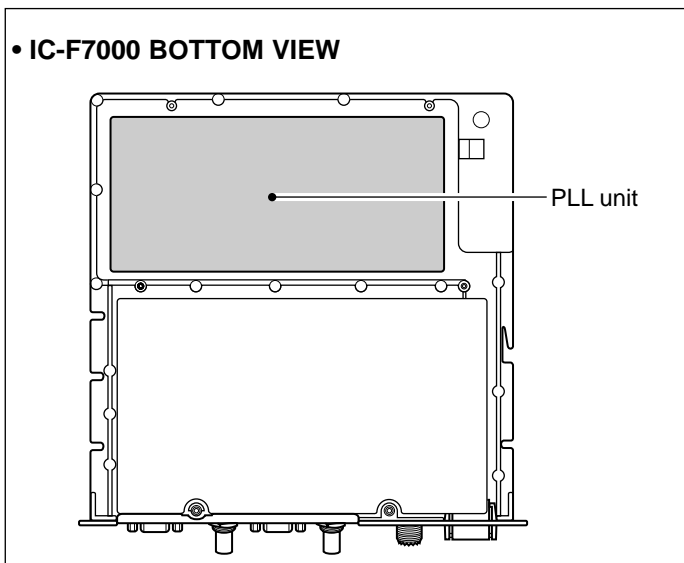
• PA UNIT TOP VIEW



• PLL UNIT BOTTOM VIEW



• IC-F7000 BOTTOM VIEW



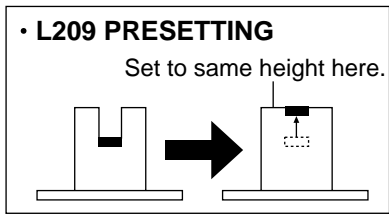
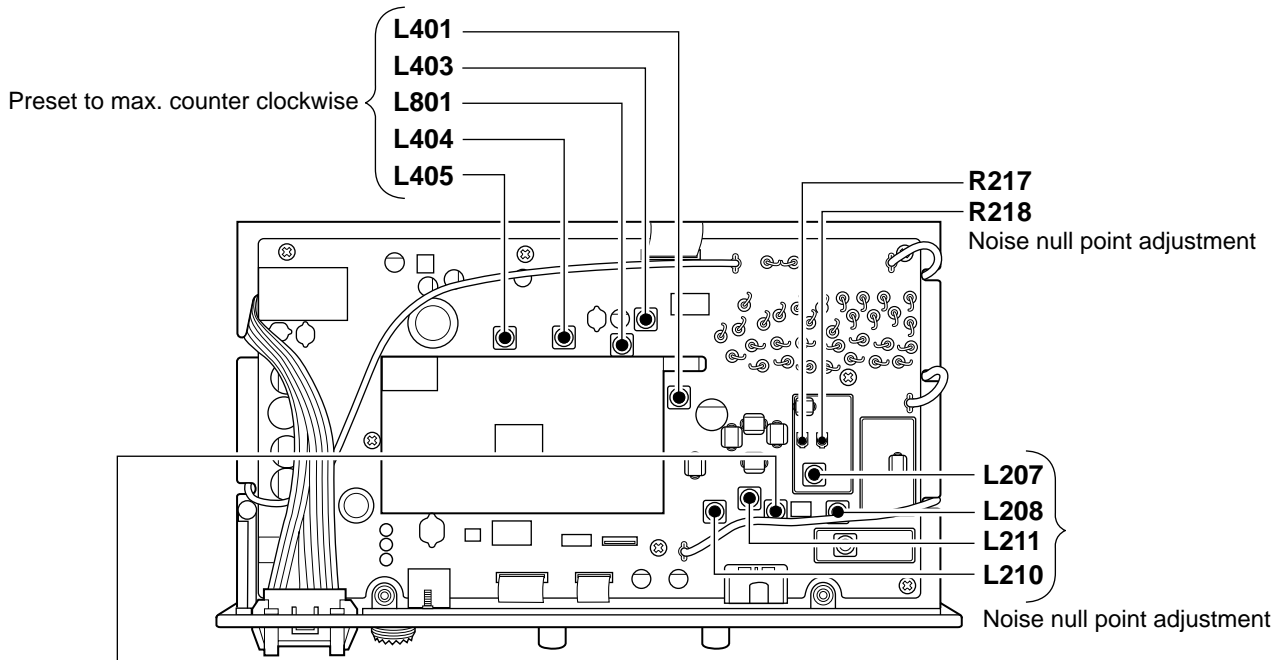
5-4 RECEIVER ADJUSTMENTS

"TOTAL GAIN", "S-METER" and "DSC PEAK" adjustments must be performed at "ADJUSTMENT MODE".

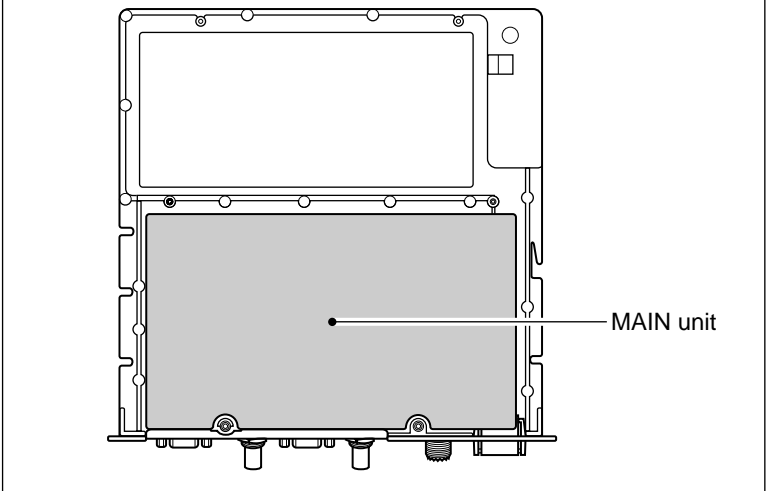
ADJUSTMENT	ADJUSTMENT CONDITIONS	MEASUREMENT		VALUE	ADJUSTMENT	
		UNIT	LOCATION		UNIT	ADJUST
NOISE NULL POINT	1 <ul style="list-style-type: none"> • Operating frequency : 0.5 MHz • Mode : A3E • Preset L209 parallel to top edge of its chassis. • Preset L401, L403, L404, L405 and L801 to max. counter clockwise. • Set the standard signal generator to OFF (no signal output). • Receiving 	Front panel	Connect an AC millivoltmeter to the [SP] jack with a 4 Ω dummy load.	Minimum output level	MAIN	R217, R218
RECEIVER GAIN	1 <ul style="list-style-type: none"> • Operating frequency : 13.9210 MHz • Mode : J3E • Connect a standard signal generator to the [ANT] connector and set as: <ul style="list-style-type: none"> Frequency : 13.9210 MHz Level : 0.5 μV* (-113 dBm) Modulation : OFF • Receiving 	Front panel	Connect an AC millivoltmeter to the [SP] jack with a 4 Ω dummy load.	Maximum output level	MAIN	L207, L208, L210, L211
TOTAL GAIN	1 <ul style="list-style-type: none"> • While pushing HM-146's [CALL] switch and RC-26's [EMG] switch, then turn power ON. • Push [2] switch to enter the RX adjustment mode. • Connect a standard signal generator to the [ANT] connector and set as: <ul style="list-style-type: none"> Frequency : 13.9210 MHz Level : 320 μV* (-57 dBm) Modulation : OFF • Receiving 	<ul style="list-style-type: none"> • Push the [OK] switch to write the adjustment value in the memory. 				
S-METER	1 <ul style="list-style-type: none"> • Set the standard signal generator to OFF (no signal output). 	<ul style="list-style-type: none"> • Push the [OK] switch to write the adjustment value in the memory. 				
	2 <ul style="list-style-type: none"> • Set the standard signal generator as: <ul style="list-style-type: none"> Frequency : 13.9210 MHz Level : 10 mV* (-27 dBm) • Receiving 	<ul style="list-style-type: none"> • Push the [OK] switch to write the adjustment value in the memory. 				

*The output level of the standard signal generator (SSG) is indicated as the SSG's open circuit.

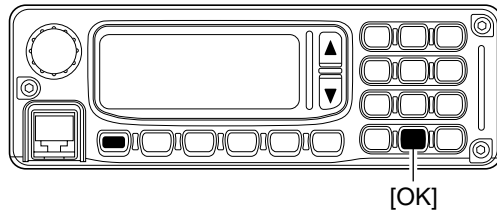
• MAIN UNIT TOP VIEW



• IC-F7000 BOTTOM VIEW



• RC-26 FRONT PANEL



5-5 TRANSMITTER ADJUSTMENTS

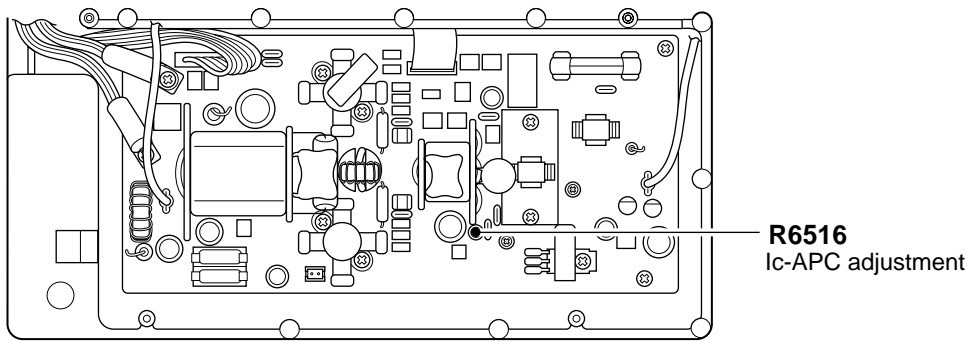
The following adjustments must be performed at "ADJUSTMENT MODE" after "SWR DETECTOR" and "RECEIVER" ADJUSTMENTS in the SECTION 5-3 and 5-4.

ADJUSTMENT	ADJUSTMENT CONDITIONS	MEASUREMENT		VALUE	ADJUSTMENT		
		UNIT	LOCATION		UNIT	ADJUST	
TRANSMIT PEAK AND TOTAL GAIN (TX PEAK)	1	<ul style="list-style-type: none"> While pushing HM-146's [CALL] switch and RX-26's [EMG] switch, turn power ON. Connect an audio generator to the [MIC] connector and set as: Frequency : 1.5 kHz Level : 3 mV Push [1] switch to enter the TX adjustment mode (LCD displayed: "TX SET"). Push [ENT] switch, then the transceiver is transmitting. 	Rear panel	Connect an RF power meter to the [ANT] connector.	Maximum output power	MAIN	L706
	(TOTAL GAIN)						
TX POWER (HIGH)	1	<ul style="list-style-type: none"> LCD displayed : "TX POWER HIGH" Set the audio generator as: Frequency : 1.5 kHz Level : 30 mV 	Rear panel	Connect an RF power meter to the [ANT] connector.	88 W [AUS] 125 W [OTH]	RC-26	[VOL] DIAL
(MIDDLE)	1	<ul style="list-style-type: none"> LCD displayed : "TX POWER MID" Set the audio generator as: Frequency : 1.5 kHz Level : 30 mV 	Rear panel	Connect an RF power meter to the [ANT] connector.	50 W	RC-26	[VOL] DIAL
(LOW)	1	<ul style="list-style-type: none"> LCD displayed : "TX POWER LOW" Set the audio generator as: Frequency : 1.5 kHz Level : 30 mV 	Rear panel	Connect an RF power meter to the [ANT] connector.	10 W	RC-26	[VOL] DIAL
SWR DETECTOR	1	<ul style="list-style-type: none"> LCD displayed : "SWR1.0" 	Rear panel	Connect an RF power meter to the [ANT] connector.			

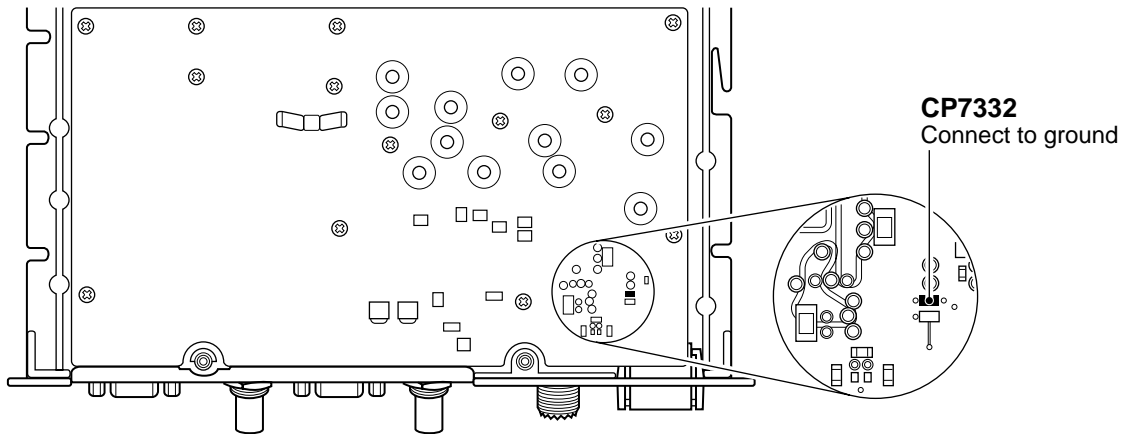
TRANSMITTER ADJUSTMENTS—Continued

ADJUSTMENT	ADJUSTMENT CONDITIONS	MEASUREMENT		VALUE	ADJUSTMENT		
		UNIT	LOCATION		UNIT	ADJUST	
IC-APC	1	<ul style="list-style-type: none"> Operating frequency : 13.810 MHz Mode : J3E Set the audio generator as: <ul style="list-style-type: none"> Frequency : 1.5 kHz Level : 100 mV Preset R6516 on the PA unit to center position. Connect the CP7332 (FOR line) on the PLL unit to ground. Transmitting 	Rear panel	Connect an ammeter (50 A) between an external power supply and the transceiver.	24.0 A [AUS] 28.0 A [OTH]	PA	R6516
	2						

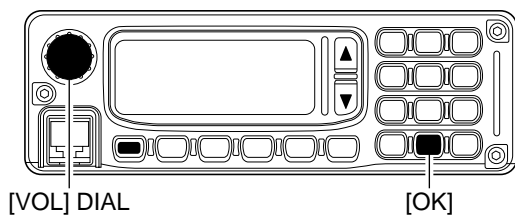
• PA UNIT TOP VIEW



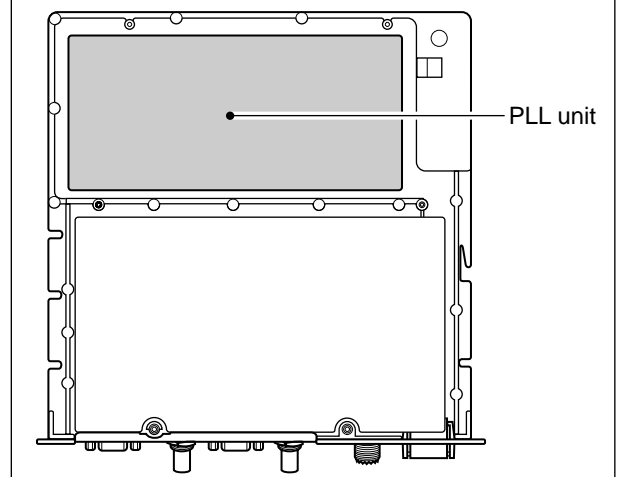
• PLL UNIT BOTTOM VIEW



• RC-26 FRONT PANEL



• IC-F7000 BOTTOM VIEW



SECTION 6 PARTS LIST

6-1 IC-F7000

[MAIN UNIT]

REF NO.	ORDER NO.	DESCRIPTION	M.
IC1	1110004080	S.IC μPC2709T-E3	T
IC101	1130011640	S.IC IS62C1024L-45T <ACE>	T
IC301	1110004080	S.IC μPC2709T-E3	T
IC501	1110005460	S.IC TA4107F (TE12L)	T
IC901	1110005460	S.IC TA4107F (TE12L)	T
IC1001	1130006220	S.IC TC4W53FU (TE12L)	T
IC1002	1110005450	S.IC TS522IDT	T
IC1051	1110005450	S.IC TS522IDT	T
IC1101	1110005450	S.IC TS522IDT	T
IC1201	1110005140	S.IC NJM3403AV-TE1	T
IC1301	1160000130	S.IC TD62783AF (S,EL)	T
IC1302	1160000130	S.IC TD62783AF (S,EL)	T
IC1501	1180000420	S.IC TA78L05F (TE12R)	T
IC1502	1180002010	S.REG BA08FP-E2	T
IC1551	1110001400	S.IC μPC1555G2-T1	T
IC1601	1110003090	IC LA4425A	T
IC1602	1130006220	S.IC TC4W53FU (TE12L)	T
IC1651	1110005450	S.IC TS522IDT	T
IC1702	1110005450	S.IC TS522IDT	T
IC1703	1130006220	S.IC TC4W53FU (TE12L)	T
IC2001	1130008230	S.IC BU4053BCFV-E2	T
IC3101	1180000420	S.IC TA78L05F (TE12R)	T
IC3201	1130005720	S.IC TC7W04F (TE12L)	T
IC3301	1130011140	S.IC CAT24WC256K1.8	T
IC3302	1110006270	S.IC S-80842CNMC-B83-T2	T
IC3303	1140011610	S.IC M30624FGAFP D5 (SX-2620A)	T
IC3304	1130006440	S.IC TC7S08F (TE85R)	T
IC3601	1130007700	S.IC BU4094BCF-E2	T
IC3602	1130007700	S.IC BU4094BCF-E2	T
IC3603	1130007700	S.IC BU4094BCF-E2	T
IC3604	1130007700	S.IC BU4094BCF-E2	T
IC3606	1110003690	S.IC M62354GP 75EC	T
IC3607	1130011830	S.IC TC7SZ32FU (TE85L)	T
IC3608	1120002790	S.IC TC74AC574FT (EL)	T
Q51	1530003090	S.TRANSISTOR 2SC4213-B (TE85R)	T
Q101	1590001960	S.TRANSISTOR XP4311 (TX)	T
Q102	1530003850	S.TRANSISTOR 2SC5551F-TD	T
Q103	1530003850	S.TRANSISTOR 2SC5551F-TD	T
Q104	1530002690	S.TRANSISTOR 2SC4116-GR (TE85R)	T
Q105	1590000680	S.TRANSISTOR DTC114EUA T106	T
Q201	1560001310	S.FET MMBFU310LT1	T
Q202	1560001310	S.FET MMBFU310LT1	T
Q203	1580000620	S.FET 3SK131-T2 MAS	T
Q204	1560001310	S.FET MMBFU310LT1	T
Q205	1560001310	S.FET MMBFU310LT1	T
Q401	1580000620	S.FET 3SK131-T2 MAS	T
Q501	1580000620	S.FET 3SK131-T2 MAS	T
Q601	1530003850	S.TRANSISTOR 2SC5551F-TD	T
Q701	1580000620	S.FET 3SK131-T2 MAS	T
Q702	1580000620	S.FET 3SK131-T2 MAS	T
Q703	1580000620	S.FET 3SK131-T2 MAS	T
Q801	1580000620	S.FET 3SK131-T2 MAS	T
Q1203	1510000770	S.TRANSISTOR 2SA1586-GR (TE85R)	T
Q1204	1510000770	S.TRANSISTOR 2SA1586-GR (TE85R)	T
Q1205	1530003090	S.TRANSISTOR 2SC4213-B (TE85R)	T
Q1206	1530003090	S.TRANSISTOR 2SC4213-B (TE85R)	T
Q1207	1510000770	S.TRANSISTOR 2SA1586-GR (TE85R)	T
Q1501	1540000440	S.TRANSISTOR 2SD1619-T-TD	T
Q1502	1540000440	S.TRANSISTOR 2SD1619-T-TD	T
Q1503	1590000680	S.TRANSISTOR DTC114EUA T106	T
Q1504	1590000680	S.TRANSISTOR DTC114EUA T106	T
Q1505	1540000440	S.TRANSISTOR 2SD1619-T-TD	T
Q1506	1590000680	S.TRANSISTOR DTC114EUA T106	T
Q1801	1540000440	S.TRANSISTOR 2SD1619-T-TD	T
Q1802	1590000680	S.TRANSISTOR DTC114EUA T106	T
Q3031	1530002690	S.TRANSISTOR 2SC4116-GR (TE85R)	T
Q3301	1530002690	S.TRANSISTOR 2SC4116-GR (TE85R)	T
Q3302	1590000680	S.TRANSISTOR DTC114EUA T106	T
Q3601	1510000770	S.TRANSISTOR 2SA1586-GR (TE85R)	T
Q3602	1590000680	S.TRANSISTOR DTC114EUA T106	T
Q3603	1590000680	S.TRANSISTOR DTC114EUA T106	T
Q3605	1590000680	S.TRANSISTOR DTC114EUA T106	T
Q3606	1590000680	S.TRANSISTOR DTC114EUA T106	T
Q3801	1510000770	S.TRANSISTOR 2SA1586-GR (TE85R)	T
Q3802	1590000680	S.TRANSISTOR DTC114EUA T106	T

[MAIN UNIT]

REF NO.	ORDER NO.	DESCRIPTION	M.
D51	1750000810	S.DIODE UM9957F/TR	T
D52	1750000810	S.DIODE UM9957F/TR	T
D53	1750000580	S.DIODE 1SV307 (TPH3)	T
D54	1750000580	S.DIODE 1SV307 (TPH3)	T
D101	1750000580	S.DIODE 1SV307 (TPH3)	T
D102	1750000580	S.DIODE 1SV307 (TPH3)	T
D103	1750000580	S.DIODE 1SV307 (TPH3)	T
D104	1750000580	S.DIODE 1SV307 (TPH3)	T
D105	1750000580	S.DIODE 1SV307 (TPH3)	T
D106	1750000580	S.DIODE 1SV307 (TPH3)	T
D107	1750000580	S.DIODE 1SV307 (TPH3)	T
D108	1750000580	S.DIODE 1SV307 (TPH3)	T
D109	1750000580	S.DIODE 1SV307 (TPH3)	T
D110	1750000580	S.DIODE 1SV307 (TPH3)	T
D111	1750000580	S.DIODE 1SV307 (TPH3)	T
D112	1750000580	S.DIODE 1SV307 (TPH3)	T
D113	1750000580	S.DIODE 1SV307 (TPH3)	T
D114	1750000580	S.DIODE 1SV307 (TPH3)	T
D115	1750000580	S.DIODE 1SV307 (TPH3)	T
D116	1750000580	S.DIODE 1SV307 (TPH3)	T
D117	1750000580	S.DIODE 1SV307 (TPH3)	T
D118	1750000580	S.DIODE 1SV307 (TPH3)	T
D119	1750000580	S.DIODE 1SV307 (TPH3)	T
D120	1750000580	S.DIODE 1SV307 (TPH3)	T
D121	1730002300	S.ZENER MA8082-M (TX)	T
D122	1750000580	S.DIODE 1SV307 (TPH3)	T
D123	1750000580	S.DIODE 1SV307 (TPH3)	T
D125	1790001250	S.DIODE MA2S111-(TX)	T
D127	1790001250	S.DIODE MA2S111-(TX)	T
D128	1790001250	S.DIODE MA2S111-(TX)	T
D129	1790001250	S.DIODE MA2S111-(TX)	T
D130	1790001250	S.DIODE MA2S111-(TX)	T
D131	1790001250	S.DIODE MA2S111-(TX)	T
D132	1750000580	S.DIODE 1SV307 (TPH3)	T
D133	1750000580	S.DIODE 1SV307 (TPH3)	T
D134	1790001250	S.DIODE MA2S111-(TX)	T
D135	1790001240	S.DIODE MA2S728-(TX)	T
D201	1750000580	S.DIODE 1SV307 (TPH3)	T
D202	1750000580	S.DIODE 1SV307 (TPH3)	T
D203	1750000580	S.DIODE 1SV307 (TPH3)	T
D204	1750000580	S.DIODE 1SV307 (TPH3)	T
D205	1750000580	S.DIODE 1SV307 (TPH3)	T
D206	1750000580	S.DIODE 1SV307 (TPH3)	T
D207	1750000580	S.DIODE 1SV307 (TPH3)	T
D301	1750000580	S.DIODE 1SV307 (TPH3)	T
D302	1750000580	S.DIODE 1SV307 (TPH3)	T
D303	1750000430	S.DIODE HSB88WSTR	T
D304	1750000580	S.DIODE 1SV307 (TPH3)	T
D305	1750000580	S.DIODE 1SV307 (TPH3)	T
D401	1750000580	S.DIODE 1SV307 (TPH3)	T
D403	1750000580	S.DIODE 1SV307 (TPH3)	T
D601	1750000580	S.DIODE 1SV307 (TPH3)	T
D901	1750000580	S.DIODE 1SV307 (TPH3)	T
D902	1750000580	S.DIODE 1SV307 (TPH3)	T
D1501	1790001670	S.DIODE RB706F-40T106	T
D1502	1790001670	S.DIODE RB706F-40T106	T
D1551	1730002320	S.ZENER MA8051-M (TX)	T
D1552	1790001670	S.DIODE RB706F-40T106	T
D1554	1730002280	S.ZENER MA8091-M (TX)	T
D3001	1790001670	S.DIODE RB706F-40T106	T
D3002	1790001670	S.DIODE RB706F-40T106	T
D3003	1790001670	S.DIODE RB706F-40T106	T
D3006	1790001670	S.DIODE RB706F-40T106	T
D3007	1790001670	S.DIODE RB706F-40T106	T
D3031	1790001250	S.DIODE MA2S111-(TX)	T
D3301	1790001250	S.DIODE MA2S111-(TX)	T
D3302	1790001250	S.DIODE MA2S111-(TX)	T
D3303	1790001250	S.DIODE MA2S111-(TX)	T
D3802	1790001250	S.DIODE MA2S111-(TX)	T
FI201	2010002580	S.FILTER FL-348 (64.455 MHz)	T
FI401	2020001960	CERAMIC CFWLB455KHFA-B0 (CFWM455H)	T
FI402	2020001330	CERAMIC CFWLA455KHFA-B0 (CFWS455HT)	T
X3301	6050010501	S.XTAL CR-636A (14.7456 MHz)	T
X3302	6050011030	S.XTAL DMX-26S 32.768KHZ	T

M.=Mounted side (T: Mounted on the Top side, B: Mounted on the Bottom side)

S.=Surface mount

[MAIN BOARD]

REF NO.	ORDER NO.	DESCRIPTION	M.
L1	6200010670	S.COIL C2520C-R18G (0.18U)	T
L2	6200010740	S.COIL C2520C-R27G-A	T
L3	6200002860	S.COIL NL 252018T-4R7J	T
L4	6200002040	S.COIL NL 252018T-101J	T
L51	6180003440	COIL ELEAH 4R7JA	T
L52	6200005010	S.COIL NL 252018T-100J	T
L53	6180003460	COIL ELEAH 3R9JA	T
L54	6200002040	S.COIL NL 252018T-101J	T
L55	6200002040	S.COIL NL 252018T-101J	T
L56	6200002040	S.COIL NL 252018T-101J	T
L57	6200005490	S.COIL NL 322522T-331J	T
L101	6180003460	COIL ELEAH 3R9JA	T
L102	6180003520	COIL ELEAH 2R7JA	T
L103	6200002040	S.COIL NL 252018T-101J	T
L104	6180003400	COIL SP0406-1R5K-6	T
L105	6200002040	S.COIL NL 252018T-101J	T
L106	6180003390	COIL SP0406-1R2K-6	T
L107	6200002040	S.COIL NL 252018T-101J	T
L108	6180003480	COIL SP0406-R82K-6	T
L109	6200002040	S.COIL NL 252018T-101J	T
L110	6180003470	COIL SP0406-R56K-6Z	T
L111	6200002040	S.COIL NL 252018T-101J	T
L112	6180003370	COIL SP0406-R68K-6Z	T
L113	6200002040	S.COIL NL 252018T-101J	T
L114	6180003340	COIL SP0406-R33K-6Z	T
L115	6200002040	S.COIL NL 252018T-101J	T
L116	6180003330	COIL SP0406-R27K-6Z	T
L117	6200002040	S.COIL NL 252018T-101J	T
L118	6180003440	COIL ELEAH 4R7JA	T
L119	6180003450	COIL ELEAH 3R3JA	T
L120	6180003410	COIL SP0406-2R2K-6	T
L121	6180003400	COIL SP0406-1R5K-6	T
L122	6180003380	COIL SP0406-1R0K-6	T
L123	6180003370	COIL SP0406-R68K-6Z	T
L124	6180003360	COIL SP0406-R47K-6Z	T
L125	6180003350	COIL SP0406-R39K-6Z	T
L126	6180003340	COIL SP0406-R33K-6Z	T
L127	6180003450	COIL ELEAH 3R3JA	T
L128	6180003410	COIL SP0406-2R2K-6	T
L129	6180003370	COIL SP0406-R68K-6Z	T
L130	6180003360	COIL SP0406-R47K-6Z	T
L131	6180003340	COIL SP0406-R33K-6Z	T
L132	6180003330	COIL SP0406-R27K-6Z	T
L133	6200002040	S.COIL NL 252018T-101J	T
L134	6180003400	COIL SP0406-1R5K-6	T
L135	6180003380	COIL SP0406-1R0K-6	T
L136	6180003480	COIL SP0406-R82K-6	T
L137	6180003470	COIL SP0406-R56K-6Z	T
L138	6180003360	COIL SP0406-R47K-6Z	T
L139	6180003340	COIL SP0406-R33K-6Z	T
L140	6200002040	S.COIL NL 252018T-101J	T
L141	6180003420	COIL SP0406-1R8K-6	T
L142	6180003420	COIL SP0406-1R8K-6	T
L143	6180003480	COIL SP0406-R82K-6	T
L144	6200002040	S.COIL NL 252018T-101J	T
L145	6200002040	S.COIL NL 252018T-101J	T
L146	6200002040	S.COIL NL 252018T-101J	T
L147	6200003220	S.COIL NL 322522T-151J	T
L148	6140003800	COIL LR-439	T
L149	6200009690	S.COIL LQH43CN101K01L (LQH 4C 101K04)	T
L150	6200002040	S.COIL NL 252018T-101J	T
L151	6200009690	S.COIL LQH43CN101K01L (LQH 4C 101K04)	T
L152	6140003810	COIL LR-440	T
L153	6140003810	COIL LR-440	T
L154	6200002040	S.COIL NL 252018T-101J	T
L155	6140003800	COIL LR-439	T
L156	6200009690	S.COIL LQH43CN101K01L (LQH 4C 101K04)	T
L157	6200003220	S.COIL NL 322522T-151J	T
L201	6200002040	S.COIL NL 252018T-101J	T
L202	6200010740	S.COIL C2520C-R27G-A	T
L203	6200010740	S.COIL C2520C-R27G-A	T
L204	6140003620	COIL LR-403	T
L206	6130002960	S.COIL 617DB-1327=P3	T
L207	6150005130	COIL LS-541	T
L208	6150004280	COIL LS-484B (C-14927)	T
L209	6150004280	COIL LS-484B (C-14927)	T
L210	6150004270	COIL LS-483A (C-14924)	T
L211	6150004280	COIL LS-484B (C-14927)	T
L212	6200010680	S.COIL C2520C-R22G (0.22U)	T
L213	6200010680	S.COIL C2520C-R22G (0.22U)	T
L214	6200002040	S.COIL NL 252018T-101J	T
L215	6200010760	S.COIL C2520C-27NG-A	T
L216	6200003280	S.COIL NL 252018T-2R2J	T
L217	6200003280	S.COIL NL 252018T-2R2J	T
L301	6200010440	S.COIL C2520C-1R2G (1.2U)	T
L302	6200010440	S.COIL C2520C-1R2G (1.2U)	T
L303	6140002810	S.COIL LR-317	T
L304	6140003530	COIL LR-395	T

[MAIN UNIT]

REF NO.	ORDER NO.	DESCRIPTION	M.
L305	6200005010	S.COIL NL 252018T-100J	T
L306	6200009870	S.COIL NL 252018T-120J	T
L307	6200003280	S.COIL NL 252018T-2R2J	T
L308	6200002180	S.COIL NL 252018T-R12J	T
L401	6150005140	COIL LS-542	T
L403	6150002291	COIL LS-450	T
L404	6150005140	COIL LS-542	T
L405	6150005140	COIL LS-542	T
L406	6200003520	S.COIL ELJFB 102K-F	T
L502	6200003520	S.COIL ELJFB 102K-F	T
L504	6200002040	S.COIL NL 252018T-101J	T
L505	6200002040	S.COIL NL 252018T-101J	T
L506	6200003520	S.COIL ELJFB 102K-F	T
L601	6200005010	S.COIL NL 252018T-100J	T
L602	6200010730	S.COIL C2520C-68NG-A	T
L603	6200010730	S.COIL C2520C-68NG-A	T
L604	6200010720	S.COIL C2520C-56NG-A	T
L605	6200005010	S.COIL NL 252018T-100J	T
L606	6140003820	COIL LR-441	T
L701	6140002810	S.COIL LR-317	T
L702	6200010780	S.COIL C2520C-1ROG-A	T
L703	6200010770	S.COIL C2520C-R68G-A	T
L704	6200002040	S.COIL NL 252018T-101J	T
L705	6200002040	S.COIL NL 252018T-101J	T
L706	6150004270	COIL LS-483A (C-14924)	T
L707	6140002810	S.COIL LR-317	T
L801	6150004440	COIL LS-495	T
L901	6200002040	S.COIL NL 252018T-101J	T
L902	6200002040	S.COIL NL 252018T-101J	T
L903	6200002040	S.COIL NL 252018T-101J	T
L904	6150005170	COIL ELENL 102KA	T
L1302	6200005490	S.COIL NL 322522T-331J	T
L1551	6150005170	COIL ELENL 102KA	T
L1552	6150005170	COIL ELENL 102KA	T
L1601	6170000140	COIL LW-15	T
L1801	6200003950	S.COIL HF50ACC 322513-T	T
L1802	6200003950	S.COIL HF50ACC 322513-T	T
L1803	6200002040	S.COIL NL 252018T-101J	T
L1804	6200002040	S.COIL NL 252018T-101J	T
L1805	6200002040	S.COIL NL 252018T-101J	T
L1901	6200002040	S.COIL NL 252018T-101J	T
L1902	6200002040	S.COIL NL 252018T-101J	T
L1903	6200002040	S.COIL NL 252018T-101J	T
L1904	6200003950	S.COIL HF50ACC 322513-T	T
L1905	6200002040	S.COIL NL 252018T-101J	T
L1906	6140002220	COIL LR-270 (TR6X3X2 3A9)	T
L1907	6200003950	S.COIL HF50ACC 322513-T	T
L1908	6200003950	S.COIL HF50ACC 322513-T	T
L1909	6200005010	S.COIL NL 252018T-100J	T
L1911	6200003260	S.COIL NL 322522T-101J	T
L1912	6200003260	S.COIL NL 322522T-101J	T
L1916	6200003260	S.COIL NL 322522T-101J	T
L1917	6200003260	S.COIL NL 322522T-101J	T
L2051	6200003950	S.COIL HF50ACC 322513-T	T
L2052	6200002040	S.COIL NL 252018T-101J	T
L2053	6200002040	S.COIL NL 252018T-101J	T
L2054	6200003950	S.COIL HF50ACC 322513-T	T
L2055	6180003530	COIL ELEKN 102KA	T
L3301	6200000970	S.COIL NL 322522T-100K	T
L3601	6200003950	S.COIL HF50ACC 322513-T	T
L3602	6200003950	S.COIL HF50ACC 322513-T	T
R1	7030003230	S.RESISTOR ERJ3GEYJ 180 V (18 Ω)	T
R2	7030003370	S.RESISTOR ERJ3GEYJ 271 V (270 Ω)	T
R3	7030003370	S.RESISTOR ERJ3GEYJ 271 V (270 Ω)	T
R4	7030003320	S.RESISTOR ERJ3GEYJ 101 V (100 Ω)	T
R5	7030003230	S.RESISTOR ERJ3GEYJ 180 V (18 Ω)	T
R6	7030003370	S.RESISTOR ERJ3GEYJ 271 V (270 Ω)	T
R7	7030003370	S.RESISTOR ERJ3GEYJ 271 V (270 Ω)	T
R51	7030003370	S.RESISTOR ERJ3GEYJ 271 V (270 Ω)	T
R52	7030003370	S.RESISTOR ERJ3GEYJ 271 V (270 Ω)	T
R53	7030003370	S.RESISTOR ERJ3GEYJ 271 V (270 Ω)	T
R54	7030003430	S.RESISTOR ERJ3GEYJ 821 V (820 Ω)	T
R56	7030003360	S.RESISTOR ERJ3GEYJ 221 V (220 Ω)	T
R57	7030003370	S.RESISTOR ERJ3GEYJ 271 V (270 Ω)	T
R58	7030003370	S.RESISTOR ERJ3GEYJ 271 V (270 Ω)	T
R59	7030003440	S.RESISTOR ERJ3GEYJ 102 V (1 kΩ)	T
R60	7030003440	S.RESISTOR ERJ3GEYJ 102 V (1 kΩ)	T
R61	7030003560	S.RESISTOR ERJ3GEYJ 103 V (10 kΩ)	T
R101	7030003370	S.RESISTOR ERJ3GEYJ 271 V (270 Ω)	T
R102	7030003370	S.RESISTOR ERJ3GEYJ 271 V (270 Ω)	T
R103	7030003370	S.RESISTOR ERJ3GEYJ 271 V (270 Ω)	T
R104	7030003370	S.RESISTOR ERJ3GEYJ 271 V (270 Ω)	T
R105	7030003370	S.RESISTOR ERJ3GEYJ 271 V (270 Ω)	T
R106	7030003370	S.RESISTOR ERJ3GEYJ 271 V (270 Ω)	T
R107	7030003370	S.RESISTOR ERJ3GEYJ 271 V (270 Ω)	T
R108	7030003370	S.RESISTOR ERJ3GEYJ 271 V (270 Ω)	T

M.=Mounted side (T: Mounted on the Top side, B: Mounted on the Bottom side)

S.=Surface mount

[MAIN UNIT]

REF NO.	ORDER NO.	DESCRIPTION	M.
R109	7030003370	S.RESISTOR ERJ3GEYJ 271 V (270 Ω)	T
R110	7030003370	S.RESISTOR ERJ3GEYJ 271 V (270 Ω)	T
R111	7030003370	S.RESISTOR ERJ3GEYJ 271 V (270 Ω)	T
R112	7030003370	S.RESISTOR ERJ3GEYJ 271 V (270 Ω)	T
R113	7030003370	S.RESISTOR ERJ3GEYJ 271 V (270 Ω)	T
R114	7030003280	S.RESISTOR ERJ3GEYJ 470 V (47 Ω)	T
R115	7030003280	S.RESISTOR ERJ3GEYJ 470 V (47 Ω)	T
R116	7030003440	S.RESISTOR ERJ3GEYJ 102 V (1 kΩ)	T
R117	7030003490	S.RESISTOR ERJ3GEYJ 272 V (2.7 kΩ)	T
R118	7030003490	S.RESISTOR ERJ3GEYJ 272 V (2.7 kΩ)	T
R119	7030003440	S.RESISTOR ERJ3GEYJ 102 V (1 kΩ)	T
R120	7030003390	S.RESISTOR ERJ3GEYJ 391 V (390 Ω)	T
R121	7030003370	S.RESISTOR ERJ3GEYJ 271 V (270 Ω)	T
R122	7030003370	S.RESISTOR ERJ3GEYJ 271 V (270 Ω)	T
R123	7030003380	S.RESISTOR ERJ3GEYJ 331 V (330 Ω)	T
R124	7030003370	S.RESISTOR ERJ3GEYJ 271 V (270 Ω)	T
R125	7030003370	S.RESISTOR ERJ3GEYJ 271 V (270 Ω)	T
R126	7030003370	S.RESISTOR ERJ3GEYJ 271 V (270 Ω)	T
R127	7030003560	S.RESISTOR ERJ3GEYJ 103 V (10 kΩ)	T
R128	7030003380	S.RESISTOR ERJ3GEYJ 331 V (330 Ω)	T
R129	7030003380	S.RESISTOR ERJ3GEYJ 331 V (330 Ω)	T
R130	7030003500	S.RESISTOR ERJ3GEYJ 332 V (3.3 kΩ)	T
R131	7030003860	S.RESISTOR ERJ3GE JPW V	T
R201	7030003370	S.RESISTOR ERJ3GEYJ 271 V (270 Ω)	T
R202	7030003370	S.RESISTOR ERJ3GEYJ 271 V (270 Ω)	T
R203	7030004040	S.RESISTOR ERJ3GEYJ 4R7 V (4.7 Ω)	T
R204	7030003410	S.RESISTOR ERJ3GEYJ 561 V (560 Ω)	T
R205	7030003410	S.RESISTOR ERJ3GEYJ 561 V (560 Ω)	T
R206	7030003410	S.RESISTOR ERJ3GEYJ 561 V (560 Ω)	T
R207	7030003440	S.RESISTOR ERJ3GEYJ 102 V (1 kΩ)	T
R208	7030003280	S.RESISTOR ERJ3GEYJ 470 V (47 Ω)	T
R209	7030003200	S.RESISTOR ERJ3GEYJ 100 V (10 Ω)	T
R210	7030005691	S.RESISTOR ERA3YED 123V	T
R211	7030003470	S.RESISTOR ERJ3GEYJ 182 V (1.8 kΩ)	T
R212	7030003800	S.RESISTOR ERJ3GEYJ 105 V (1 MΩ)	T
R213	7030003300	S.RESISTOR ERJ3GEYJ 680 V (68 Ω)	T
R214	7030003480	S.RESISTOR ERJ3GEYJ 222 V (2.2 kΩ)	T
R215	7030003200	S.RESISTOR ERJ3GEYJ 100 V (10 Ω)	T
R216	7030003410	S.RESISTOR ERJ3GEYJ 561 V (560 Ω)	T
R217	7310002720	S.TRIMMER RV-148 (RH03A3AS3X0DA) 472	T
R218	7310002720	S.TRIMMER RV-148 (RH03A3AS3X0DA) 472	T
R219	7030003320	S.RESISTOR ERJ3GEYJ 101 V (100 Ω)	T
R220	7030003320	S.RESISTOR ERJ3GEYJ 101 V (100 Ω)	T
R221	7030003370	S.RESISTOR ERJ3GEYJ 271 V (270 Ω)	T
R222	7030003370	S.RESISTOR ERJ3GEYJ 271 V (270 Ω)	T
R223	7030003440	S.RESISTOR ERJ3GEYJ 102 V (1 kΩ)	T
R224	7030003440	S.RESISTOR ERJ3GEYJ 102 V (1 kΩ)	T
R225	7030003370	S.RESISTOR ERJ3GEYJ 271 V (270 Ω)	T
R226	7030003440	S.RESISTOR ERJ3GEYJ 102 V (1 kΩ)	T
R227	7030003370	S.RESISTOR ERJ3GEYJ 271 V (270 Ω)	T
R228	7030003860	S.RESISTOR ERJ3GE JPW V	T
R229	7030003860	S.RESISTOR ERJ3GE JPW V	T
R231	7030000010	S.RESISTOR MCR10EZHH JPW (000)	T
R301	7030003440	S.RESISTOR ERJ3GEYJ 102 V (1 kΩ)	T
R302	7030003280	S.RESISTOR ERJ3GEYJ 470 V (47 Ω)	T
R303	7030003320	S.RESISTOR ERJ3GEYJ 101 V (100 Ω)	T
R307	7030003440	S.RESISTOR ERJ3GEYJ 102 V (1 kΩ)	T
R309	7030003440	S.RESISTOR ERJ3GEYJ 102 V (1 kΩ)	T
R310	7030003250	S.RESISTOR ERJ3GEYJ 270 V (27 Ω)	T
R311	7030003370	S.RESISTOR ERJ3GEYJ 271 V (270 Ω)	T
R312	7030003230	S.RESISTOR ERJ3GEYJ 180 V (18 Ω)	T
R313	7030003370	S.RESISTOR ERJ3GEYJ 271 V (270 Ω)	T
R314	7030003370	S.RESISTOR ERJ3GEYJ 271 V (270 Ω)	T
R315	7030003230	S.RESISTOR ERJ3GEYJ 180 V (18 Ω)	T
R316	7030003370	S.RESISTOR ERJ3GEYJ 271 V (270 Ω)	T
R320	7030000010	S.RESISTOR MCR10EZHH JPW (000)	T
R323	7030000010	S.RESISTOR MCR10EZHH JPW (000)	T
R401	7030003440	S.RESISTOR ERJ3GEYJ 102 V (1 kΩ)	T
R404	7030005691	S.RESISTOR ERA3YED 123V	T
R405	7030003490	S.RESISTOR ERJ3GEYJ 272 V (2.7 kΩ)	T
R406	7030003760	S.RESISTOR ERJ3GEYJ 474 V (470 kΩ)	T
R407	7030003320	S.RESISTOR ERJ3GEYJ 101 V (100 Ω)	T
R408	7030003360	S.RESISTOR ERJ3GEYJ 221 V (220 Ω)	T
R409	7030003320	S.RESISTOR ERJ3GEYJ 101 V (100 Ω)	T
R410	7030003440	S.RESISTOR ERJ3GEYJ 102 V (1 kΩ)	T
R413	7030003440	S.RESISTOR ERJ3GEYJ 102 V (1 kΩ)	T
R414	7030003440	S.RESISTOR ERJ3GEYJ 102 V (1 kΩ)	T
R415	7030003480	S.RESISTOR ERJ3GEYJ 222 V (2.2 kΩ)	T
R502	7030003690	S.RESISTOR ERJ3GEYJ 124 V (120 kΩ)	T
R503	7030003580	S.RESISTOR ERJ3GEYJ 153 V (15 kΩ)	T
R504	7030003440	S.RESISTOR ERJ3GEYJ 102 V (1 kΩ)	T
R505	7030003430	S.RESISTOR ERJ3GEYJ 821 V (820 Ω)	T
R506	7030003400	S.RESISTOR ERJ3GEYJ 471 V (470 Ω)	T
R507	7030003320	S.RESISTOR ERJ3GEYJ 101 V (100 Ω)	T
R508	7510001460	S.THERMISTOR NTCG16 3NH 471KT	T
R514	7030003440	S.RESISTOR ERJ3GEYJ 102 V (1 kΩ)	T
R515	7030005691	S.RESISTOR ERA3YED 123V	T
R601	7030007860	S.RESISTOR ERJ3GEYJ 8R2V (8.2 Ω)	T

M.=Mounted side (T: Mounted on the Top side, B: Mounted on the Bottom side)

[MAIN UNIT]

REF NO.	ORDER NO.	DESCRIPTION	M.
R602	7030003340	S.RESISTOR ERJ3GEYJ 151 V (150 Ω)	T
R603	7030007860	S.RESISTOR ERJ3GEYJ 8R2V (8.2 Ω)	T
R604	7030004040	S.RESISTOR ERJ3GEYJ 4R7 V (4.7 Ω)	T
R605	7030003280	S.RESISTOR ERJ3GEYJ 470 V (47 Ω)	T
R606	7030005280	S.RESISTOR ERJ3GEYJ 6R8V (6.8 Ω)	T
R607	7030003420	S.RESISTOR ERJ3GEYJ 681 V (680 Ω)	T
R608	7030003420	S.RESISTOR ERJ3GEYJ 681 V (680 Ω)	T
R609	7030003390	S.RESISTOR ERJ3GEYJ 391 V (390 Ω)	T
R610	7030003440	S.RESISTOR ERJ3GEYJ 102 V (1 kΩ)	T
R611	7030003230	S.RESISTOR ERJ3GEYJ 180 V (18 Ω)	T
R612	7030003370	S.RESISTOR ERJ3GEYJ 271 V (270 Ω)	T
R613	7030003370	S.RESISTOR ERJ3GEYJ 271 V (270 Ω)	T
R701	7030003360	S.RESISTOR ERJ3GEYJ 221 V (220 Ω)	T
R702	7030003410	S.RESISTOR ERJ3GEYJ 561 V (560 Ω)	T
R703	7030003440	S.RESISTOR ERJ3GEYJ 102 V (1 kΩ)	T
R704	7030003640	S.RESISTOR ERJ3GEYJ 473 V (47 kΩ)	T
R705	7030003360	S.RESISTOR ERJ3GEYJ 221 V (220 Ω)	T
R706	7030003320	S.RESISTOR ERJ3GEYJ 101 V (100 Ω)	T
R707	7510001460	S.THERMISTOR NTCG16 3NH 471KT	T
R708	7030003440	S.RESISTOR ERJ3GEYJ 102 V (1 kΩ)	T
R709	7030003440	S.RESISTOR ERJ3GEYJ 102 V (1 kΩ)	T
R710	7030003360	S.RESISTOR ERJ3GEYJ 221 V (220 Ω)	T
R711	7030003400	S.RESISTOR ERJ3GEYJ 471 V (470 Ω)	T
R712	7030003370	S.RESISTOR ERJ3GEYJ 271 V (270 Ω)	T
R713	7030003300	S.RESISTOR ERJ3GEYJ 680 V (68 Ω)	T
R714	7030003320	S.RESISTOR ERJ3GEYJ 101 V (100 Ω)	T
R715	7030003230	S.RESISTOR ERJ3GEYJ 180 V (18 Ω)	T
R716	7030003370	S.RESISTOR ERJ3GEYJ 271 V (270 Ω)	T
R717	7030003320	S.RESISTOR ERJ3GEYJ 101 V (100 Ω)	T
R718	7030003440	S.RESISTOR ERJ3GEYJ 102 V (1 kΩ)	T
R719	7030003280	S.RESISTOR ERJ3GEYJ 470 V (47 Ω)	T
R720	7030003550	S.RESISTOR ERJ3GEYJ 822 V (8.2 kΩ)	T
R722	7510001460	S.THERMISTOR NTCG16 3NH 471KT	T
R723	7030003860	S.RESISTOR ERJ3GE JPW V	T
R801	7030003480	S.RESISTOR ERJ3GEYJ 222 V (2.2 kΩ)	T
R802	7030003240	S.RESISTOR ERJ3GEYJ 220 V (22 Ω)	T
R803	7030003360	S.RESISTOR ERJ3GEYJ 221 V (220 Ω)	T
R804	7030003400	S.RESISTOR ERJ3GEYJ 471 V (470 Ω)	T
R813	7030003600	S.RESISTOR ERJ3GEYJ 223 V (22 kΩ)	T
R814	7030003700	S.RESISTOR ERJ3GEYJ 154 V (150 kΩ)	T
R901	7030003440	S.RESISTOR ERJ3GEYJ 102 V (1 kΩ)	T
R902	7030003440	S.RESISTOR ERJ3GEYJ 102 V (1 kΩ)	T
R903	7030003440	S.RESISTOR ERJ3GEYJ 102 V (1 kΩ)	T
R904	7030003280	S.RESISTOR ERJ3GEYJ 470 V (47 Ω)	T
R910	7030003440	S.RESISTOR ERJ3GEYJ 102 V (1 kΩ)	T
R911	7030003440	S.RESISTOR ERJ3GEYJ 102 V (1 kΩ)	T
R1002	7030003400	S.RESISTOR ERJ3GEYJ 471 V (470 Ω)	T
R1003	7030003400	S.RESISTOR ERJ3GEYJ 471 V (470 Ω)	T
R1004	7030003440	S.RESISTOR ERJ3GEYJ 102 V (1 kΩ)	T
R1005	7030003440	S.RESISTOR ERJ3GEYJ 102 V (1 kΩ)	T
R1006	7030003440	S.RESISTOR ERJ3GEYJ 102 V (1 kΩ)	T
R1007	7030003440	S.RESISTOR ERJ3GEYJ 102 V (1 kΩ)	T
R1008	7030003320	S.RESISTOR ERJ3GEYJ 101 V (100 Ω)	T
R1009	7030003320	S.RESISTOR ERJ3GEYJ 101 V (100 Ω)	T
R1010	7030003440	S.RESISTOR ERJ3GEYJ 102 V (1 kΩ)	T
R1011	7030003440	S.RESISTOR ERJ3GEYJ 102 V (1 kΩ)	T
R1012	7030003860	S.RESISTOR ERJ3GE JPW V	T
R1013	7030003860	S.RESISTOR ERJ3GE JPW V	T
R1014	7030003440	S.RESISTOR ERJ3GEYJ 102 V (1 kΩ)	T
R1015	7030003650	S.RESISTOR ERJ3GEYJ 563 V (56 kΩ)	T
R1016	7030003560	S.RESISTOR ERJ3GEYJ 103 V (10 kΩ)	T
R1017	7030003440	S.RESISTOR ERJ3GEYJ 102 V (1 kΩ)	T
R1018	7030003320	S.RESISTOR ERJ3GEYJ 101 V (100 Ω)	T
R1019	7030003860	S.RESISTOR ERJ3GE JPW V	T
R1051	7030003320	S.RESISTOR ERJ3GEYJ 101 V (100 Ω)	T
R1052	7030003320	S.RESISTOR ERJ3GEYJ 101 V (100 Ω)	T
R1053	7030003440	S.RESISTOR ERJ3GEYJ 102 V (1 kΩ)	T
R1054	7030003440	S.RESISTOR ERJ3GEYJ 102 V (1 kΩ)	T
R1055	7030003440	S.RESISTOR ERJ3GEYJ 102 V (1 kΩ)	T
R1057	7030003440	S.RESISTOR ERJ3GEYJ 102 V (1 kΩ)	T
R1058	7030003440	S.RESISTOR ERJ3GEYJ 102 V (1 kΩ)	T
R1059	7030003440	S.RESISTOR ERJ3GEYJ 102 V (1 kΩ)	T
R1060	7030005871	S.RESISTOR ERA3YKD 104V (100 kΩ)	T
R1101	7030005871	S.RESISTOR ERA3YKD 104V (100 kΩ)	T
R1102	7030009591	S.RESISTOR ERA3YED 472V	T
R1105	7030003500	S.RESISTOR ERJ3GEYJ 332 V (3.3 kΩ)	T
R1107	7030003800	S.RESISTOR ERJ3GEYJ 105 V (1 MΩ)	T
R1109	7030003320	S.RESISTOR ERJ3GEYJ 101 V (100 Ω)	T
R1110	7030003320	S.RESISTOR ERJ3GEYJ 101 V (100 Ω)	T
R1111	7030003560	S.RESISTOR ERJ3GEYJ 103 V (10 kΩ)	T
R1113	7030003320	S.RESISTOR ERJ3GEYJ 101 V (100 Ω)	T
R1201	7030003860	S.RESISTOR ERJ3GE JPW V	T
R1202	7030003760	S.RESISTOR ERJ3GEYJ 474 V (470 kΩ)	T
R1203	7030003760	S.RESISTOR ERJ3GEYJ 474 V (470 kΩ)	T
R1204	7030003860	S.RESISTOR ERJ3GE JPW V	T
R1205	7030005871	S.RESISTOR ERA3YKD 104V (100 kΩ)	T
R1206	7030003760	S.RESISTOR ERJ3GEYJ 474 V (470 kΩ)	T
R1207	7030003560	S.RESISTOR ERJ3GEYJ 103 V (10 kΩ)	T

S.=Surface mount

[MAIN UNIT]

REF NO.	ORDER NO.	DESCRIPTION	M.
R1208	7030003610	S.RESISTOR ERJ3GEYJ 273 V (27 kΩ)	T
R1209	7030003640	S.RESISTOR ERJ3GEYJ 473 V (47 kΩ)	T
R1210	7030009591	S.RESISTOR ERA3YED 472V	T
R1211	7030005871	S.RESISTOR ERA3YKD 104V (100 kΩ)	T
R1212	7030003740	S.RESISTOR ERJ3GEYJ 334 V (330 kΩ)	T
R1213	7030005871	S.RESISTOR ERA3YKD 104V (100 kΩ)	T
R1214	7030003730	S.RESISTOR ERJ3GEYJ 274 V (270 kΩ)	T
R1215	7030003640	S.RESISTOR ERJ3GEYJ 473 V (47 kΩ)	T
R1216	7030003640	S.RESISTOR ERJ3GEYJ 473 V (47 kΩ)	T
R1217	7030003740	S.RESISTOR ERJ3GEYJ 334 V (330 kΩ)	T
R1218	7030003630	S.RESISTOR ERJ3GEYJ 393 V (39 kΩ)	T
R1219	7030003800	S.RESISTOR ERJ3GEYJ 105 V (1 MΩ)	T
R1220	7030003840	S.RESISTOR ERJ3GEYJ 225 V (2.2 MΩ)	T
R1221	7030003840	S.RESISTOR ERJ3GEYJ 225 V (2.2 MΩ)	T
R1222	7030003400	S.RESISTOR ERJ3GEYJ 471 V (470 Ω)	T
R1223	7030003480	S.RESISTOR ERJ3GEYJ 222 V (2.2 kΩ)	T
R1224	7030003320	S.RESISTOR ERJ3GEYJ 101 V (100 Ω)	T
R1225	7030003320	S.RESISTOR ERJ3GEYJ 101 V (100 Ω)	T
R1226	7030003360	S.RESISTOR ERJ3GEYJ 221 V (220 Ω)	T
R1228	7030003440	S.RESISTOR ERJ3GEYJ 102 V (1 kΩ)	T
R1230	7030003800	S.RESISTOR ERJ3GEYJ 105 V (1 MΩ)	T
R1232	7030003800	S.RESISTOR ERJ3GEYJ 105 V (1 MΩ)	T
R1233	7030003760	S.RESISTOR ERJ3GEYJ 474 V (470 kΩ)	T
R1234	7030003560	S.RESISTOR ERJ3GEYJ 103 V (10 kΩ)	T
R1235	7030003560	S.RESISTOR ERJ3GEYJ 103 V (10 kΩ)	T
R1236	7030003440	S.RESISTOR ERJ3GEYJ 102 V (1 kΩ)	T
R1237	7030003560	S.RESISTOR ERJ3GEYJ 103 V (10 kΩ)	T
R1238	7030003560	S.RESISTOR ERJ3GEYJ 103 V (10 kΩ)	T
R1240	7030003440	S.RESISTOR ERJ3GEYJ 102 V (1 kΩ)	T
R1301	7030008240	S.RESISTOR ERJ12YJ0R00U	T
R1303	7030003200	S.RESISTOR ERJ3GEYJ 100 V (10 Ω)	T
R1304	7030003200	S.RESISTOR ERJ3GEYJ 100 V (10 Ω)	T
R1305	7030003200	S.RESISTOR ERJ3GEYJ 100 V (10 Ω)	T
R1306	7030003200	S.RESISTOR ERJ3GEYJ 100 V (10 Ω)	T
R1307	7030003200	S.RESISTOR ERJ3GEYJ 100 V (10 Ω)	T
R1308	7030003200	S.RESISTOR ERJ3GEYJ 100 V (10 Ω)	T
R1309	7030004040	S.RESISTOR ERJ3GEYJ 4R7 V (4.7 Ω)	T
R1310	7030003500	S.RESISTOR ERJ3GEYJ 332 V (3.3 kΩ)	T
R1311	7030003500	S.RESISTOR ERJ3GEYJ 332 V (3.3 kΩ)	T
R1312	7030003500	S.RESISTOR ERJ3GEYJ 332 V (3.3 kΩ)	T
R1313	7030003500	S.RESISTOR ERJ3GEYJ 332 V (3.3 kΩ)	T
R1314	7030003500	S.RESISTOR ERJ3GEYJ 332 V (3.3 kΩ)	T
R1315	7030003500	S.RESISTOR ERJ3GEYJ 332 V (3.3 kΩ)	T
R1316	7030003500	S.RESISTOR ERJ3GEYJ 332 V (3.3 kΩ)	T
R1317	7030003500	S.RESISTOR ERJ3GEYJ 332 V (3.3 kΩ)	T
R1318	7030004040	S.RESISTOR ERJ3GEYJ 4R7 V (4.7 Ω)	T
R1319	7030008240	S.RESISTOR ERJ12YJ0R00U	T
R1501	7030008190	S.RESISTOR ERJ12YJ330U (33 Ω)	T
R1502	7030004040	S.RESISTOR ERJ3GEYJ 4R7 V (4.7 Ω)	T
R1503	7030004040	S.RESISTOR ERJ3GEYJ 4R7 V (4.7 Ω)	T
R1504	7030003380	S.RESISTOR ERJ3GEYJ 331 V (330 Ω)	T
R1505	7030003380	S.RESISTOR ERJ3GEYJ 331 V (330 Ω)	T
R1506	7030003380	S.RESISTOR ERJ3GEYJ 331 V (330 Ω)	T
R1507	7030003380	S.RESISTOR ERJ3GEYJ 331 V (330 Ω)	T
R1508	7030004040	S.RESISTOR ERJ3GEYJ 4R7 V (4.7 Ω)	T
R1509	7030003380	S.RESISTOR ERJ3GEYJ 331 V (330 Ω)	T
R1510	7030003380	S.RESISTOR ERJ3GEYJ 331 V (330 Ω)	T
R1511	7030003380	S.RESISTOR ERJ3GEYJ 331 V (330 Ω)	T
R1512	7030003380	S.RESISTOR ERJ3GEYJ 331 V (330 Ω)	T
R1513	7030003380	S.RESISTOR ERJ3GEYJ 331 V (330 Ω)	T
R1514	7030010660	S.RESISTOR ERJ1TYJ 6R8U (6.8 Ω)	T
R1551	7030006220	S.RESISTOR ERJ12YJ470U (47 Ω)	T
R1553	7030006220	S.RESISTOR ERJ12YJ470U (47 Ω)	T
R1555	7030003560	S.RESISTOR ERJ3GEYJ 103 V (10 kΩ)	T
R1556	7030003720	S.RESISTOR ERJ3GEYJ 224 V (220 kΩ)	T
R1601	7030003400	S.RESISTOR ERJ3GEYJ 471 V (470 Ω)	T
R1602	7030003440	S.RESISTOR ERJ3GEYJ 102 V (1 kΩ)	T
R1603	7030009591	S.RESISTOR ERA3YED 472V	T
R1606	7030003400	S.RESISTOR ERJ3GEYJ 471 V (470 Ω)	T
R1607	7030003400	S.RESISTOR ERJ3GEYJ 471 V (470 Ω)	T
R1612	7030003440	S.RESISTOR ERJ3GEYJ 102 V (1 kΩ)	T
R1651	7030003440	S.RESISTOR ERJ3GEYJ 102 V (1 kΩ)	T
R1652	7030003440	S.RESISTOR ERJ3GEYJ 102 V (1 kΩ)	T
R1653	7030003440	S.RESISTOR ERJ3GEYJ 102 V (1 kΩ)	T
R1654	7030003860	S.RESISTOR ERJ3GE JPW V	T
R1655	7030003480	S.RESISTOR ERJ3GEYJ 222 V (2.2 kΩ)	T
R1656	7030003440	S.RESISTOR ERJ3GEYJ 102 V (1 kΩ)	T
R1657	7030003560	S.RESISTOR ERJ3GEYJ 103 V (10 kΩ)	T
R1658	7030003440	S.RESISTOR ERJ3GEYJ 102 V (1 kΩ)	T
R1659	7030003440	S.RESISTOR ERJ3GEYJ 102 V (1 kΩ)	T
R1660	7030003320	S.RESISTOR ERJ3GEYJ 101 V (100 Ω)	T
R1661	7030003320	S.RESISTOR ERJ3GEYJ 101 V (100 Ω)	T
R1662	7030003560	S.RESISTOR ERJ3GEYJ 103 V (10 kΩ)	T
R1701	7030003860	S.RESISTOR ERJ3GE JPW V	T
R1706	7030003580	S.RESISTOR ERJ3GEYJ 153 V (15 kΩ)	T
R1707	7030003380	S.RESISTOR ERJ3GEYJ 331 V (330 Ω)	T
R1709	7030003440	S.RESISTOR ERJ3GEYJ 102 V (1 kΩ)	T
R1710	7030003440	S.RESISTOR ERJ3GEYJ 102 V (1 kΩ)	T

[MAIN UNIT]

REF NO.	ORDER NO.	DESCRIPTION	M.
R1711	7030003320	S.RESISTOR ERJ3GEYJ 101 V (100 Ω)	T
R1712	7030003320	S.RESISTOR ERJ3GEYJ 101 V (100 Ω)	T
R1713	7030003440	S.RESISTOR ERJ3GEYJ 102 V (1 kΩ)	T
R1715	7030003550	S.RESISTOR ERJ3GEYJ 822 V (8.2 kΩ)	T
R1716	7030003480	S.RESISTOR ERJ3GEYJ 222 V (2.2 kΩ)	T
R1717	7030003440	S.RESISTOR ERJ3GEYJ 102 V (1 kΩ)	T
R1718	7030003560	S.RESISTOR ERJ3GEYJ 103 V (10 kΩ)	T
R1719	7030003560	S.RESISTOR ERJ3GEYJ 103 V (10 kΩ)	T
R1720	7030003400	S.RESISTOR ERJ3GEYJ 471 V (470 Ω)	T
R1721	7030003400	S.RESISTOR ERJ3GEYJ 471 V (470 Ω)	T
R1722	7030003440	S.RESISTOR ERJ3GEYJ 102 V (1 kΩ)	T
R1723	7030003440	S.RESISTOR ERJ3GEYJ 102 V (1 kΩ)	T
R1724	7030009591	S.RESISTOR ERA3YED 472V	T
R1801	7030003500	S.RESISTOR ERJ3GEYJ 332 V (3.3 kΩ)	T
R1802	7030003500	S.RESISTOR ERJ3GEYJ 332 V (3.3 kΩ)	T
R1803	7030003500	S.RESISTOR ERJ3GEYJ 332 V (3.3 kΩ)	T
R1804	7030003560	S.RESISTOR ERJ3GEYJ 103 V (10 kΩ)	T
R1805	7030003560	S.RESISTOR ERJ3GEYJ 103 V (10 kΩ)	T
R1902	7030003440	S.RESISTOR ERJ3GEYJ 102 V (1 kΩ)	T
R2001	7030003560	S.RESISTOR ERJ3GEYJ 103 V (10 kΩ)	T
R2002	7030003560	S.RESISTOR ERJ3GEYJ 103 V (10 kΩ)	T
R2003	7030003440	S.RESISTOR ERJ3GEYJ 102 V (1 kΩ)	T
R2004	7030003860	S.RESISTOR ERJ3GE JPW V	T
R3001	7030003460	S.RESISTOR ERJ3GEYJ 152 V (1.5 kΩ)	T
R3002	7030003460	S.RESISTOR ERJ3GEYJ 152 V (1.5 kΩ)	T
R3003	7030003360	S.RESISTOR ERJ3GEYJ 221 V (220 Ω)	T
R3004	7030003360	S.RESISTOR ERJ3GEYJ 221 V (220 Ω)	T
R3006	7030003440	S.RESISTOR ERJ3GEYJ 102 V (1 kΩ)	T
R3007	7030003440	S.RESISTOR ERJ3GEYJ 102 V (1 kΩ)	T
R3008	7030003440	S.RESISTOR ERJ3GEYJ 102 V (1 kΩ)	T
R3009	7030003440	S.RESISTOR ERJ3GEYJ 102 V (1 kΩ)	T
R3010	7030003440	S.RESISTOR ERJ3GEYJ 102 V (1 kΩ)	T
R3011	7030003440	S.RESISTOR ERJ3GEYJ 102 V (1 kΩ)	T
R3012	7030003440	S.RESISTOR ERJ3GEYJ 102 V (1 kΩ)	T
R3013	7030003640	S.RESISTOR ERJ3GEYJ 473 V (47 kΩ)	T
R3014	7030003800	S.RESISTOR ERJ3GEYJ 105 V (1 MΩ)	T
R3015	7030003640	S.RESISTOR ERJ3GEYJ 473 V (47 kΩ)	T
R3016	7030003640	S.RESISTOR ERJ3GEYJ 473 V (47 kΩ)	T
R3017	7030003360	S.RESISTOR ERJ3GEYJ 221 V (220 Ω)	T
R3019	7030003440	S.RESISTOR ERJ3GEYJ 102 V (1 kΩ)	T
R3020	7030003640	S.RESISTOR ERJ3GEYJ 473 V (47 kΩ)	T
R3021	7030003640	S.RESISTOR ERJ3GEYJ 473 V (47 kΩ)	T
R3023	7030003440	S.RESISTOR ERJ3GEYJ 102 V (1 kΩ)	T
R3024	7030003440	S.RESISTOR ERJ3GEYJ 102 V (1 kΩ)	T
R3025	7030003640	S.RESISTOR ERJ3GEYJ 473 V (47 kΩ)	T
R3026	7030003640	S.RESISTOR ERJ3GEYJ 473 V (47 kΩ)	T
R3031	7030003600	S.RESISTOR ERJ3GEYJ 223 V (22 kΩ)	T
R3032	7030009591	S.RESISTOR ERA3YED 472V	T
R3033	7030003580	S.RESISTOR ERJ3GEYJ 153 V (15 kΩ)	T
R3034	7030003640	S.RESISTOR ERJ3GEYJ 473 V (47 kΩ)	T
R3050	7030005691	S.RESISTOR ERA3YED 123V	T
R3051	7030009591	S.RESISTOR ERA3YED 472V	T
R3052	7030005871	S.RESISTOR ERA3YKD 104V (100 kΩ)	T
R3101	7030008190	S.RESISTOR ERJ12YJ330U (33 Ω)	T
R3201	7030003640	S.RESISTOR ERJ3GEYJ 473 V (47 kΩ)	T
R3202	7030005871	S.RESISTOR ERA3YKD 104V (100 kΩ)	T
R3203	7030003440	S.RESISTOR ERJ3GEYJ 102 V (1 kΩ)	T
R3204	7030003640	S.RESISTOR ERJ3GEYJ 473 V (47 kΩ)	T
R3301	7030003560	S.RESISTOR ERJ3GEYJ 103 V (10 kΩ)	T
R3302	7030003560	S.RESISTOR ERJ3GEYJ 103 V (10 kΩ)	T
R3303	7030003650	S.RESISTOR ERJ3GEYJ 563 V (56 kΩ)	T
R3304	7030003650	S.RESISTOR ERJ3GEYJ 563 V (56 kΩ)	T
R3305	7030003720	S.RESISTOR ERJ3GEYJ 224 V (220 kΩ)	T
R3306	7030003440	S.RESISTOR ERJ3GEYJ 102 V (1 kΩ)	T
R3307	7030003360	S.RESISTOR ERJ3GEYJ 221 V (220 Ω)	T
R3308	7030003360	S.RESISTOR ERJ3GEYJ 221 V (220 Ω)	T
R3309	7030003360	S.RESISTOR ERJ3GEYJ 221 V (220 Ω)	T
R3310	7030003360	S.RESISTOR ERJ3GEYJ 221 V (220 Ω)	T
R3311	7030003360	S.RESISTOR ERJ3GEYJ 221 V (220 Ω)	T
R3313	7030005871	S.RESISTOR ERA3YKD 104V (100 kΩ)	T
R3314	7030005871	S.RESISTOR ERA3YKD 104V (100 kΩ)	T
R3315	7030003560	S.RESISTOR ERJ3GEYJ 103 V (10 kΩ)	T
R3316	7030003720	S.RESISTOR ERJ3GEYJ 224 V (220 kΩ)	T
R3317	7030003720	S.RESISTOR ERJ3GEYJ 224 V (220 kΩ)	T
R3318	7030003720	S.RESISTOR ERJ3GEYJ 224 V (220 kΩ)	T
R3319	7030003720	S.RESISTOR ERJ3GEYJ 224 V (220 kΩ)	T
R3320	7030003720	S.RESISTOR ERJ3GEYJ 224 V (220 kΩ)	T
R3321	7030003720	S.RESISTOR ERJ3GEYJ 224 V (220 kΩ)	T
R3322	7030003720	S.RESISTOR ERJ3GEYJ 224 V (220 kΩ)	T
R3323	7030003720	S.RESISTOR ERJ3GEYJ 224 V (220 kΩ)	T
R3324	7030003720	S.RESISTOR ERJ3GEYJ 224 V (220 kΩ)	T
R3325	7030003720	S.RESISTOR ERJ3GEYJ 224 V (220 kΩ)	T
R3326	7030003720	S.RESISTOR ERJ3GEYJ 224 V (220 kΩ)	T
R3327	7030003720	S.RESISTOR ERJ3GEYJ 224 V (220 kΩ)	T
R3328	7030003720	S.RESISTOR ERJ3GEYJ 224 V (220 kΩ)	T
R3329	7030003720	S.RESISTOR ERJ3GEYJ 224 V (220 kΩ)	T
R3330	7030003720	S.RESISTOR ERJ3GEYJ 224 V (220 kΩ)	T
R3331	7030003720	S.RESISTOR ERJ3GEYJ 224 V (220 kΩ)	T

M.=Mounted side (T: Mounted on the Top side, B: Mounted on the Bottom side)

S.=Surface mount

[MAIN UNIT]

REF NO.	ORDER NO.	DESCRIPTION	M.
R3332	7030003640	S.RESISTOR ERJ3GEYJ 473 V (47 kΩ)	T
R3333	7030003360	S.RESISTOR ERJ3GEYJ 221 V (220 Ω)	T
R3334	7030003640	S.RESISTOR ERJ3GEYJ 473 V (47 kΩ)	T
R3335	7030003360	S.RESISTOR ERJ3GEYJ 221 V (220 Ω)	T
R3336	7030003360	S.RESISTOR ERJ3GEYJ 221 V (220 Ω)	T
R3337	7030003360	S.RESISTOR ERJ3GEYJ 221 V (220 Ω)	T
R3339	7030003720	S.RESISTOR ERJ3GEYJ 224 V (220 kΩ)	T
R3340	7030003360	S.RESISTOR ERJ3GEYJ 221 V (220 Ω)	T
R3341	7030003720	S.RESISTOR ERJ3GEYJ 224 V (220 kΩ)	T
R3342	7030003760	S.RESISTOR ERJ3GEYJ 474 V (470 kΩ)	T
R3343	7030003440	S.RESISTOR ERJ3GEYJ 102 V (1 kΩ)	T
R3344	7030005871	S.RESISTOR ERA3YKD 104V (100 kΩ)	T
R3345	7030003640	S.RESISTOR ERJ3GEYJ 473 V (47 kΩ)	T
R3346	7030003560	S.RESISTOR ERJ3GEYJ 103 V (10 kΩ)	T
R3347	7030005871	S.RESISTOR ERA3YKD 104V (100 kΩ)	T
R3348	7030003640	S.RESISTOR ERJ3GEYJ 473 V (47 kΩ)	T
R3349	7030003440	S.RESISTOR ERJ3GEYJ 102 V (1 kΩ)	T
R3350	7030003640	S.RESISTOR ERJ3GEYJ 473 V (47 kΩ)	T
R3402	7030003560	S.RESISTOR ERJ3GEYJ 103 V (10 kΩ)	T
R3403	7030003560	S.RESISTOR ERJ3GEYJ 103 V (10 kΩ)	T
R3407	7030003560	S.RESISTOR ERJ3GEYJ 103 V (10 kΩ)	T
R3408	7030003560	S.RESISTOR ERJ3GEYJ 103 V (10 kΩ)	T
R3409	7030003560	S.RESISTOR ERJ3GEYJ 103 V (10 kΩ)	T
[OTH] only			
R3601	7030003640	S.RESISTOR ERJ3GEYJ 473 V (47 kΩ)	T
R3604	7030003640	S.RESISTOR ERJ3GEYJ 473 V (47 kΩ)	T
R3605	7030003640	S.RESISTOR ERJ3GEYJ 473 V (47 kΩ)	T
R3606	7030003640	S.RESISTOR ERJ3GEYJ 473 V (47 kΩ)	T
R3608	7030003640	S.RESISTOR ERJ3GEYJ 473 V (47 kΩ)	T
R3609	7030003640	S.RESISTOR ERJ3GEYJ 473 V (47 kΩ)	T
R3610	7030003640	S.RESISTOR ERJ3GEYJ 473 V (47 kΩ)	T
R3611	7030003640	S.RESISTOR ERJ3GEYJ 473 V (47 kΩ)	T
R3613	7030003640	S.RESISTOR ERJ3GEYJ 473 V (47 kΩ)	T
R3614	7030003360	S.RESISTOR ERJ3GEYJ 221 V (220 Ω)	T
R3615	7030003360	S.RESISTOR ERJ3GEYJ 221 V (220 Ω)	T
R3616	7030003360	S.RESISTOR ERJ3GEYJ 221 V (220 Ω)	T
R3617	7030003360	S.RESISTOR ERJ3GEYJ 221 V (220 Ω)	T
R3618	7030003360	S.RESISTOR ERJ3GEYJ 221 V (220 Ω)	T
R3619	7030003360	S.RESISTOR ERJ3GEYJ 221 V (220 Ω)	T
R3620	7030003360	S.RESISTOR ERJ3GEYJ 221 V (220 Ω)	T
R3621	7030003360	S.RESISTOR ERJ3GEYJ 221 V (220 Ω)	T
R3622	7030003360	S.RESISTOR ERJ3GEYJ 221 V (220 Ω)	T
R3623	7030003360	S.RESISTOR ERJ3GEYJ 221 V (220 Ω)	T
R3625	7030003640	S.RESISTOR ERJ3GEYJ 473 V (47 kΩ)	T
R3626	7030003640	S.RESISTOR ERJ3GEYJ 473 V (47 kΩ)	T
R3627	7030003640	S.RESISTOR ERJ3GEYJ 473 V (47 kΩ)	T
R3628	7030003640	S.RESISTOR ERJ3GEYJ 473 V (47 kΩ)	T
R3629	7030003640	S.RESISTOR ERJ3GEYJ 473 V (47 kΩ)	T
R3640	7030003600	S.RESISTOR ERJ3GEYJ 223 V (22 kΩ)	T
R3643	7030005691	S.RESISTOR ERA3YED 123V	T
R3801	7030003400	S.RESISTOR ERJ3GEYJ 471 V (470 Ω)	T
R3803	7030003720	S.RESISTOR ERJ3GEYJ 224 V (220 kΩ)	T
R3804	7030003720	S.RESISTOR ERJ3GEYJ 224 V (220 kΩ)	T
R3805	7030003720	S.RESISTOR ERJ3GEYJ 224 V (220 kΩ)	T
R3806	7030003720	S.RESISTOR ERJ3GEYJ 224 V (220 kΩ)	T
R3807	7030003720	S.RESISTOR ERJ3GEYJ 224 V (220 kΩ)	T
R3808	7030003720	S.RESISTOR ERJ3GEYJ 224 V (220 kΩ)	T
R3809	7030003720	S.RESISTOR ERJ3GEYJ 224 V (220 kΩ)	T
R3810	7030003720	S.RESISTOR ERJ3GEYJ 224 V (220 kΩ)	T
R3811	7030003720	S.RESISTOR ERJ3GEYJ 224 V (220 kΩ)	T
R3812	7030003720	S.RESISTOR ERJ3GEYJ 224 V (220 kΩ)	T
R3813	7030003720	S.RESISTOR ERJ3GEYJ 224 V (220 kΩ)	T
R3814	7030003720	S.RESISTOR ERJ3GEYJ 224 V (220 kΩ)	T
R3815	7030003720	S.RESISTOR ERJ3GEYJ 224 V (220 kΩ)	T
R3816	7030003480	S.RESISTOR ERJ3GEYJ 222 V (2.2 kΩ)	T
R3817	7030003720	S.RESISTOR ERJ3GEYJ 224 V (220 kΩ)	T
R3818	7030003400	S.RESISTOR ERJ3GEYJ 471 V (470 Ω)	T
R3819	7030003400	S.RESISTOR ERJ3GEYJ 471 V (470 Ω)	T
R3820	7030003400	S.RESISTOR ERJ3GEYJ 471 V (470 Ω)	T
R3821	7030003400	S.RESISTOR ERJ3GEYJ 471 V (470 Ω)	T
R3823	7030003860	S.RESISTOR ERJ3GE JPW V	T
R3905	7030003640	S.RESISTOR ERJ3GEYJ 473 V (47 kΩ)	T
R3915	7030003360	S.RESISTOR ERJ3GEYJ 221 V (220 Ω)	T
R3916	7030003360	S.RESISTOR ERJ3GEYJ 221 V (220 Ω)	T
R3917	7030003360	S.RESISTOR ERJ3GEYJ 221 V (220 Ω)	T
R3918	7030003360	S.RESISTOR ERJ3GEYJ 221 V (220 Ω)	T
R3919	7030003360	S.RESISTOR ERJ3GEYJ 221 V (220 Ω)	T
R3920	7030003360	S.RESISTOR ERJ3GEYJ 221 V (220 Ω)	T
R3921	7030003360	S.RESISTOR ERJ3GEYJ 221 V (220 Ω)	T
C1	4030007110	S.CERAMIC C1608 CH 1H 680J-T	T
C2	4030007120	S.CERAMIC C1608 CH 1H 820J-T	T
C3	4030007150	S.CERAMIC C1608 CH 1H 151J-T	T
C4	4030007050	S.CERAMIC C1608 CH 1H 220J-T	T
C5	4030007120	S.CERAMIC C1608 CH 1H 820J-T	T
C6	4030011600	S.CERAMIC C1608 JB 1E 104K-T	T
C7	4030011600	S.CERAMIC C1608 JB 1E 104K-T	T

M.=Mounted side (T: Mounted on the Top side, B: Mounted on the Bottom side)

[MAIN UNIT]

REF NO.	ORDER NO.	DESCRIPTION	M.
C8	4030011600	S.CERAMIC C1608 JB 1E 104K-T	T
C9	4030011600	S.CERAMIC C1608 JB 1E 104K-T	T
C10	4030011600	S.CERAMIC C1608 JB 1E 104K-T	T
C11	4030011600	S.CERAMIC C1608 JB 1E 104K-T	T
C12	4030011600	S.CERAMIC C1608 JB 1E 104K-T	T
C54	4030011600	S.CERAMIC C1608 JB 1E 104K-T	T
C56	4030018620	S.CERAMIC C1608 CH 1H 222J-T	T
C57	4030018640	S.CERAMIC C2012 CH 1H 103J-T	T
C59	4030018590	S.CERAMIC C1608 CH 1H 122J-T	T
C61	4030018640	S.CERAMIC C2012 CH 1H 103J-T	T
C62	4030018620	S.CERAMIC C1608 CH 1H 222J-T	T
C63	4030018640	S.CERAMIC C2012 CH 1H 103J-T	T
C64	4030011600	S.CERAMIC C1608 JB 1E 104K-T	T
C65	4030011600	S.CERAMIC C1608 JB 1E 104K-T	T
C66	4030011600	S.CERAMIC C1608 JB 1E 104K-T	T
C67	4030011600	S.CERAMIC C1608 JB 1E 104K-T	T
C68	4030011600	S.CERAMIC C1608 JB 1E 104K-T	T
C69	4030018640	S.CERAMIC C2012 CH 1H 103J-T	T
C101	4030011600	S.CERAMIC C1608 JB 1E 104K-T	T
C102	4030011600	S.CERAMIC C1608 JB 1E 104K-T	T
C103	4030011600	S.CERAMIC C1608 JB 1E 104K-T	T
C104	4030011600	S.CERAMIC C1608 JB 1E 104K-T	T
C105	4030011600	S.CERAMIC C1608 JB 1E 104K-T	T
C106	4030011600	S.CERAMIC C1608 JB 1E 104K-T	T
C107	4030011600	S.CERAMIC C1608 JB 1E 104K-T	T
C108	4030011600	S.CERAMIC C1608 JB 1E 104K-T	T
C109	4030018610	S.CERAMIC C1608 CH 1H 182J-T	T
C110	4030018600	S.CERAMIC C1608 CH 1H 152J-T	T
C111	4030017800	S.CERAMIC C1608 CH 1H 561J-T	T
C112	4030017870	S.CERAMIC C1608 CH 1H 681J-T	T
C113	4030011340	S.CERAMIC C1608 CH 1H 471J-T	T
C114	4030007160	S.CERAMIC C1608 CH 1H 181J-T	T
C115	4030007170	S.CERAMIC C1608 CH 1H 221J-T	T
C116	4030007130	S.CERAMIC C1608 CH 1H 101J-T	T
C117	4030007150	S.CERAMIC C1608 CH 1H 151J-T	T
C118	4030011280	S.CERAMIC C1608 CH 1H 271J-T	T
C119	4030007140	S.CERAMIC C1608 CH 1H 121J-T	T
C120	4030007150	S.CERAMIC C1608 CH 1H 151J-T	T
C121	4030007090	S.CERAMIC C1608 CH 1H 470J-T	T
C122	4030007070	S.CERAMIC C1608 CH 1H 330J-T	T
C123	4030007070	S.CERAMIC C1608 CH 1H 330J-T	T
C124	4030007090	S.CERAMIC C1608 CH 1H 470J-T	T
C125	4030007050	S.CERAMIC C1608 CH 1H 220J-T	T
C126	4030007030	S.CERAMIC C1608 CH 1H 150J-T	T
C127	4030008920	S.CERAMIC C1608 CH 1H 473K-T	T
C128	4030017810	S.CERAMIC C1608 CH 1H 102J-T	T
C129	4030017850	S.CERAMIC C2012 CH 1H 272J-T	T
C130	4030018580	S.CERAMIC C1608 CH 1H 821J-T	T
C131	4030018640	S.CERAMIC C2012 CH 1H 103J-T	T
C132	4030007120	S.CERAMIC C1608 CH 1H 820J-T	T
C133	4030017800	S.CERAMIC C1608 CH 1H 561J-T	T
C134	4030011340	S.CERAMIC C1608 CH 1H 471J-T	T
C135	4030011280	S.CERAMIC C1608 CH 1H 271J-T	T
C136	4030011280	S.CERAMIC C1608 CH 1H 271J-T	T
C137	4030007160	S.CERAMIC C1608 CH 1H 181J-T	T
C138	4030011280	S.CERAMIC C1608 CH 1H 271J-T	T
C139	4030007170	S.CERAMIC C1608 CH 1H 221J-T	T
C140	4030007130	S.CERAMIC C1608 CH 1H 101J-T	T
C141	4030007140	S.CERAMIC C1608 CH 1H 121J-T	T
C142	4030007150	S.CERAMIC C1608 CH 1H 151J-T	T
C143	4030007130	S.CERAMIC C1608 CH 1H 101J-T	T
C144	4030007140	S.CERAMIC C1608 CH 1H 121J-T	T
C145	4030017800	S.CERAMIC C1608 CH 1H 561J-T	T
C146	4030011340	S.CERAMIC C1608 CH 1H 471J-T	T
C147	4030018640	S.CERAMIC C2012 CH 1H 103J-T	T
C148	4030018630	S.CERAMIC C2012 CH 1H 472J-T	T
C149	4030018610	S.CERAMIC C1608 CH 1H 182J-T	T
C150	4030018620	S.CERAMIC C1608 CH 1H 222J-T	T
C151	4030018620	S.CERAMIC C1608 CH 1H 222J-T	T
C152	4030018600	S.CERAMIC C1608 CH 1H 152J-T	T
C153	4030018600	S.CERAMIC C1608 CH 1H 152J-T	T
C154	4030017810	S.CERAMIC C1608 CH 1H 102J-T	T
C155	4030018590	S.CERAMIC C1608 CH 1H 122J-T	T
C156	4030011600	S.CERAMIC C1608 JB 1E 104K-T	T
C157	4030018600	S.CERAMIC C1608 CH 1H 152J-T	T
C158	4030018610	S.CERAMIC C1608 CH 1H 182J-T	T
C159	4030018580	S.CERAMIC C1608 CH 1H 821J-T	T
C160	4030007130	S.CERAMIC C1608 CH 1H 101J-T	T
C161	4030011600	S.CERAMIC C1608 JB 1E 104K-T	T
C162	4030007160	S.CERAMIC C1608 CH 1H 181J-T	T
C163	4030011600	S.CERAMIC C1608 JB 1E 104K-T	T
C164	4030007140	S.CERAMIC C1608 CH 1H 121J-T	T
C165	4030011600	S.CERAMIC C1608 JB 1E 104K-T	T
C166	4030007130	S.CERAMIC C1608 CH 1H 101J-T	T
C167	4030011600	S.CERAMIC C1608 JB 1E 104K-T	T
C168	4030011600	S.CERAMIC C1608 JB 1E 104K-T	T
C169	4030018580	S.CERAMIC C1608 CH 1H 821J-T	T
C170	4030011600	S.CERAMIC C1608 JB 1E 104K-T	T

S.=Surface mount

[MAIN UNIT]

REF NO.	ORDER NO.	DESCRIPTION	M.
C171	4030011280	S.CERAMIC C1608 CH 1H 271J-T	T
C172	4030011600	S.CERAMIC C1608 JB 1E 104K-T	T
C173	4030007160	S.CERAMIC C1608 CH 1H 181J-T	T
C174	4030011600	S.CERAMIC C1608 JB 1E 104K-T	T
C175	4030007040	S.CERAMIC C1608 CH 1H 180J-T	T
C176	4030011600	S.CERAMIC C1608 JB 1E 104K-T	T
C177	4030011600	S.CERAMIC C1608 JB 1E 104K-T	T
C178	4030011600	S.CERAMIC C1608 JB 1E 104K-T	T
C179	4030011600	S.CERAMIC C1608 JB 1E 104K-T	T
C180	4030011600	S.CERAMIC C1608 JB 1E 104K-T	T
C181	4030011600	S.CERAMIC C1608 JB 1E 104K-T	T
C182	4030011600	S.CERAMIC C1608 JB 1E 104K-T	T
C183	4030011600	S.CERAMIC C1608 JB 1E 104K-T	T
C184	4030011600	S.CERAMIC C1608 JB 1E 104K-T	T
C185	4030011600	S.CERAMIC C1608 JB 1E 104K-T	T
C186	4030011600	S.CERAMIC C1608 JB 1E 104K-T	T
C187	4030011600	S.CERAMIC C1608 JB 1E 104K-T	T
C188	4030011600	S.CERAMIC C1608 JB 1E 104K-T	T
C189	4030011600	S.CERAMIC C1608 JB 1E 104K-T	T
C190	4030011600	S.CERAMIC C1608 JB 1E 104K-T	T
C191	4030011600	S.CERAMIC C1608 JB 1E 104K-T	T
C192	4030011600	S.CERAMIC C1608 JB 1E 104K-T	T
C193	4030011600	S.CERAMIC C1608 JB 1E 104K-T	T
C194	4030011600	S.CERAMIC C1608 JB 1E 104K-T	T
C195	4030011600	S.CERAMIC C1608 JB 1E 104K-T	T
C197	4510006670	S.ELECTROLYTIC ECEV1CA471P	T
C198	4030006940	S.CERAMIC C1608 CH 1H 030C-T	T
C199	4030006940	S.CERAMIC C1608 CH 1H 030C-T	T
C200	4030018630	S.CERAMIC C2012 CH 1H 472J-T	T
C201	4030011600	S.CERAMIC C1608 JB 1E 104K-T	T
C202	4030007120	S.CERAMIC C1608 CH 1H 820J-T	T
C203	4030007050	S.CERAMIC C1608 CH 1H 220J-T	T
C204	4030007150	S.CERAMIC C1608 CH 1H 151J-T	T
C205	4030006990	S.CERAMIC C1608 CH 1H 080D-T	T
C206	4030007130	S.CERAMIC C1608 CH 1H 101J-T	T
C207	4030011600	S.CERAMIC C1608 JB 1E 104K-T	T
C208	4030006880	S.CERAMIC C1608 JB 1H 472K-T	T
C209	4030007020	S.CERAMIC C1608 CH 1H 120J-T	T
C210	4030011600	S.CERAMIC C1608 JB 1E 104K-T	T
C211	4030006880	S.CERAMIC C1608 JB 1H 472K-T	T
C212	4030011600	S.CERAMIC C1608 JB 1E 104K-T	T
C213	4030011600	S.CERAMIC C1608 JB 1E 104K-T	T
C214	4030017810	S.CERAMIC C1608 CH 1H 102J-T	T
C215	4030007030	S.CERAMIC C1608 CH 1H 150J-T	T
C216	4030007000	S.CERAMIC C1608 CH 1H 090D-T	T
C217	4030007130	S.CERAMIC C1608 CH 1H 101J-T	T
C218	4030006880	S.CERAMIC C1608 JB 1H 472K-T	T
C219	4030006880	S.CERAMIC C1608 JB 1H 472K-T	T
C220	4030006880	S.CERAMIC C1608 JB 1H 472K-T	T
C221	4030006880	S.CERAMIC C1608 JB 1H 472K-T	T
C222	4030007030	S.CERAMIC C1608 CH 1H 150J-T	T
C223	4030006880	S.CERAMIC C1608 JB 1H 472K-T	T
C224	4030006880	S.CERAMIC C1608 JB 1H 472K-T	T
C225	4030009920	S.CERAMIC C1608 CH 1H 050B-T	T
C226	4030011600	S.CERAMIC C1608 JB 1E 104K-T	T
C227	4030011600	S.CERAMIC C1608 JB 1E 104K-T	T
C228	4030007030	S.CERAMIC C1608 CH 1H 150J-T	T
C229	4030007030	S.CERAMIC C1608 CH 1H 150J-T	T
C230	4030007170	S.CERAMIC C1608 CH 1H 221J-T	T
C231	4030006880	S.CERAMIC C1608 JB 1H 472K-T	T
C232	4030006880	S.CERAMIC C1608 JB 1H 472K-T	T
C233	4030006880	S.CERAMIC C1608 JB 1H 472K-T	T
C234	4030006880	S.CERAMIC C1608 JB 1H 472K-T	T
C235	4030009920	S.CERAMIC C1608 CH 1H 050B-T	T
C236	4030009920	S.CERAMIC C1608 CH 1H 050B-T	T
C237	4030007130	S.CERAMIC C1608 CH 1H 101J-T	T
C238	4030007130	S.CERAMIC C1608 CH 1H 101J-T	T
C239	4030007130	S.CERAMIC C1608 CH 1H 101J-T	T
C240	4030007140	S.CERAMIC C1608 CH 1H 121J-T	T
C241	4030007150	S.CERAMIC C1608 CH 1H 151J-T	T
C242	4030007150	S.CERAMIC C1608 CH 1H 151J-T	T
C243	4030007150	S.CERAMIC C1608 CH 1H 151J-T	T
C244	4030007140	S.CERAMIC C1608 CH 1H 121J-T	T
C245	4030007140	S.CERAMIC C1608 CH 1H 121J-T	T
C246	4030006970	S.CERAMIC C1608 CH 1H 060D-T	T
C247	4030007000	S.CERAMIC C1608 CH 1H 090D-T	T
C248	4030018610	S.CERAMIC C1608 CH 1H 182J-T	T
C301	4030006880	S.CERAMIC C1608 JB 1H 472K-T	T
C302	4030007150	S.CERAMIC C1608 CH 1H 151J-T	T
C303	4030007150	S.CERAMIC C1608 CH 1H 151J-T	T
C304	4030011600	S.CERAMIC C1608 JB 1E 104K-T	T
C305	4030011600	S.CERAMIC C1608 JB 1E 104K-T	T
C306	4030011600	S.CERAMIC C1608 JB 1E 104K-T	T
C307	4030011600	S.CERAMIC C1608 JB 1E 104K-T	T
C308	4030017870	S.CERAMIC C1608 CH 1H 681J-T	T
C309	4030011600	S.CERAMIC C1608 JB 1E 104K-T	T
C310	4030018630	S.CERAMIC C2012 CH 1H 472J-T	T
C311	4030017850	S.CERAMIC C2012 CH 1H 272J-T	T

M.=Mounted side (T: Mounted on the Top side, B: Mounted on the Bottom side)

[MAIN UNIT]

REF NO.	ORDER NO.	DESCRIPTION	M.
C312	4030011600	S.CERAMIC C1608 JB 1E 104K-T	T
C315	4030018590	S.CERAMIC C1608 CH 1H 122J-T	T
C316	4030007150	S.CERAMIC C1608 CH 1H 151J-T	T
C317	4030007150	S.CERAMIC C1608 CH 1H 151J-T	T
C318	4030007100	S.CERAMIC C1608 CH 1H 560J-T	T
C319	4030007100	S.CERAMIC C1608 CH 1H 560J-T	T
C401	4030011600	S.CERAMIC C1608 JB 1E 104K-T	T
C402	4030006880	S.CERAMIC C1608 JB 1H 472K-T	T
C403	4030011600	S.CERAMIC C1608 JB 1E 104K-T	T
C404	4030011600	S.CERAMIC C1608 JB 1E 104K-T	T
C405	4030006880	S.CERAMIC C1608 JB 1H 472K-T	T
C406	4030011600	S.CERAMIC C1608 JB 1E 104K-T	T
C407	4030006880	S.CERAMIC C1608 JB 1H 472K-T	T
C408	4030011600	S.CERAMIC C1608 JB 1E 104K-T	T
C409	4030011600	S.CERAMIC C1608 JB 1E 104K-T	T
C410	4030011600	S.CERAMIC C1608 JB 1E 104K-T	T
C411	4030011600	S.CERAMIC C1608 JB 1E 104K-T	T
C412	4030006880	S.CERAMIC C1608 JB 1H 472K-T	T
C413	4030007140	S.CERAMIC C1608 CH 1H 121J-T	T
C414	4030007160	S.CERAMIC C1608 CH 1H 181J-T	T
C501	4030011600	S.CERAMIC C1608 JB 1E 104K-T	T
C502	4030006880	S.CERAMIC C1608 JB 1H 472K-T	T
C503	4030011600	S.CERAMIC C1608 JB 1E 104K-T	T
C504	4030006880	S.CERAMIC C1608 JB 1H 472K-T	T
C505	4030006880	S.CERAMIC C1608 JB 1H 472K-T	T
C506	4030011600	S.CERAMIC C1608 JB 1E 104K-T	T
C507	4030011600	S.CERAMIC C1608 JB 1E 104K-T	T
C508	4030011600	S.CERAMIC C1608 JB 1E 104K-T	T
C509	4030011600	S.CERAMIC C1608 JB 1E 104K-T	T
C510	4510004640	S.ELECTROLYTIC ECEV1CA470SP	T
C511	4030011600	S.CERAMIC C1608 JB 1E 104K-T	T
C512	4510004640	S.ELECTROLYTIC ECEV1CA470SP	T
C516	4030011600	S.CERAMIC C1608 JB 1E 104K-T	T
C517	4030011600	S.CERAMIC C1608 JB 1E 104K-T	T
C518	4030011600	S.CERAMIC C1608 JB 1E 104K-T	T
C519	4030011600	S.CERAMIC C1608 JB 1E 104K-T	T
C520	4510004630	S.ELECTROLYTIC ECEV1CA100SR	T
C521	4030011600	S.CERAMIC C1608 JB 1E 104K-T	T
C600	4030011600	S.CERAMIC C1608 JB 1E 104K-T	T
C601	4030011600	S.CERAMIC C1608 JB 1E 104K-T	T
C602	4030007040	S.CERAMIC C1608 CH 1H 180J-T	T
C603	4030006880	S.CERAMIC C1608 JB 1H 472K-T	T
C604	4030006980	S.CERAMIC C1608 CH 1H 070D-T	T
C605	4030007030	S.CERAMIC C1608 CH 1H 150J-T	T
C606	4030007020	S.CERAMIC C1608 CH 1H 120J-T	T
C607	4030007060	S.CERAMIC C1608 CH 1H 270J-T	T
C608	4030011600	S.CERAMIC C1608 JB 1E 104K-T	T
C609	4030017810	S.CERAMIC C1608 CH 1H 102J-T	T
C610	4030018640	S.CERAMIC C2012 CH 1H 103J-T	T
C611	4030018640	S.CERAMIC C2012 CH 1H 103J-T	T
C612	4030018640	S.CERAMIC C2012 CH 1H 103J-T	T
C613	4030018640	S.CERAMIC C2012 CH 1H 103J-T	T
C614	4030017810	S.CERAMIC C1608 CH 1H 102J-T	T
C615	4030007030	S.CERAMIC C1608 CH 1H 150J-T	T
C701	4030011600	S.CERAMIC C1608 JB 1E 104K-T	T
C702	4030011600	S.CERAMIC C1608 JB 1E 104K-T	T
C703	4030011600	S.CERAMIC C1608 JB 1E 104K-T	T
C705	4030011600	S.CERAMIC C1608 JB 1E 104K-T	T
C706	4030007070	S.CERAMIC C1608 CH 1H 330J-T	T
C707	4030006970	S.CERAMIC C1608 CH 1H 060D-T	T
C709	4030007070	S.CERAMIC C1608 CH 1H 330J-T	T
C710	4030007040	S.CERAMIC C1608 CH 1H 180J-T	T
C711	4030007050	S.CERAMIC C1608 CH 1H 220J-T	T
C712	4030011600	S.CERAMIC C1608 JB 1E 104K-T	T
C714	4030011600	S.CERAMIC C1608 JB 1E 104K-T	T
C715	4030009920	S.CERAMIC C1608 CH 1H 050B-T	T
C716	4030017810	S.CERAMIC C1608 CH 1H 102J-T	T
C717	4030017810	S.CERAMIC C1608 CH 1H 102J-T	T
C718	4030017810	S.CERAMIC C1608 CH 1H 102J-T	T
C720	4030007070	S.CERAMIC C1608 CH 1H 330J-T	T
C721	4030006970	S.CERAMIC C1608 CH 1H 060D-T	T
C722	4030006970	S.CERAMIC C1608 CH 1H 060D-T	T
C801	4030011600	S.CERAMIC C1608 JB 1E 104K-T	T
C802	4030011600	S.CERAMIC C1608 JB 1E 104K-T	T
C803	4030011600	S.CERAMIC C1608 JB 1E 104K-T	T
C805	4030006880	S.CERAMIC C1608 JB 1H 472K-T	T
C806	4510004640	S.ELECTROLYTIC ECEV1CA470SP	T
C901	4030011600	S.CERAMIC C1608 JB 1E 104K-T	T
C902	4030011600	S.CERAMIC C1608 JB 1E 104K-T	T
C903	4030006880	S.CERAMIC C1608 JB 1H 472K-T	T
C904	4030011600	S.CERAMIC C1608 JB 1E 104K-T	T
C905	4030011600	S.CERAMIC C1608 JB 1E 104K-T	T
C906	4030011600	S.CERAMIC C1608 JB 1E 104K-T	T
C907	4030011600	S.CERAMIC C1608 JB 1E 104K-T	T
C908	4510004630	S.ELECTROLYTIC ECEV1CA100SR	T
C909	4030011600	S.CERAMIC C1608 JB 1E 104K-T	T
C910	4030011600	S.CERAMIC C1608 JB 1E 104K-T	T
C1001	4030011600	S.CERAMIC C1608 JB 1E 104K-T	T

S.=Surface mount

[MAIN UNIT]

REF NO.	ORDER NO.	DESCRIPTION	M.
C1002	4030011600	S.CERAMIC C1608 JB 1E 104K-T	T
C1003	4030011600	S.CERAMIC C1608 JB 1E 104K-T	T
C1004	4030018610	S.CERAMIC C1608 CH 1H 182J-T	T
C1005	4030017800	S.CERAMIC C1608 CH 1H 561J-T	T
C1006	4030006880	S.CERAMIC C1608 JB 1H 472K-T	T
C1007	4030006880	S.CERAMIC C1608 JB 1H 472K-T	T
C1008	4030006880	S.CERAMIC C1608 JB 1H 472K-T	T
C1010	4510004630	S.ELECTROLYTIC ECEV1CA100SR	T
C1011	4510004630	S.ELECTROLYTIC ECEV1CA100SR	T
C1012	4030011600	S.CERAMIC C1608 JB 1E 104K-T	T
C1051	4510004630	S.ELECTROLYTIC ECEV1CA100SR	T
C1052	4510004630	S.ELECTROLYTIC ECEV1CA100SR	T
C1054	4030018640	S.CERAMIC C2012 CH 1H 103J-T	T
C1055	4030017810	S.CERAMIC C1608 CH 1H 102J-T	T
C1056	4030008880	S.CERAMIC C1608 JB 1H 223K-T	T
C1057	4030008880	S.CERAMIC C1608 JB 1H 223K-T	T
C1058	4030008880	S.CERAMIC C1608 JB 1H 223K-T	T
C1059	4030018640	S.CERAMIC C2012 CH 1H 103J-T	T
C1061	4030017810	S.CERAMIC C1608 CH 1H 102J-T	T
C1062	4030008880	S.CERAMIC C1608 JB 1H 223K-T	T
C1063	4030008880	S.CERAMIC C1608 JB 1H 223K-T	T
C1064	4030008880	S.CERAMIC C1608 JB 1H 223K-T	T
C1101	4030011600	S.CERAMIC C1608 JB 1E 104K-T	T
C1102	4030011600	S.CERAMIC C1608 JB 1E 104K-T	T
C1201	4030006880	S.CERAMIC C1608 JB 1H 472K-T	T
C1202	4030011600	S.CERAMIC C1608 JB 1E 104K-T	T
C1203	4030011600	S.CERAMIC C1608 JB 1E 104K-T	T
C1205	4510004630	S.ELECTROLYTIC ECEV1CA100SR	T
C1206	4030017810	S.CERAMIC C1608 CH 1H 102J-T	T
C1208	4550006340	S.TANTALUM ECST1AY335R	T
C1209	4030011600	S.CERAMIC C1608 JB 1E 104K-T	T
C1212	4550006170	S.TANTALUM ECST1AY225R	T
C1214	4030011600	S.CERAMIC C1608 JB 1E 104K-T	T
C1223	4030011600	S.CERAMIC C1608 JB 1E 104K-T	T
C1224	4030011600	S.CERAMIC C1608 JB 1E 104K-T	T
C1226	4030011600	S.CERAMIC C1608 JB 1E 104K-T	T
C1227	4030011340	S.CERAMIC C1608 CH 1H 471J-T	T
C1303	4030011600	S.CERAMIC C1608 JB 1E 104K-T	T
C1304	4030011600	S.CERAMIC C1608 JB 1E 104K-T	T
C1305	4030011600	S.CERAMIC C1608 JB 1E 104K-T	T
C1306	4030011600	S.CERAMIC C1608 JB 1E 104K-T	T
C1307	4030011600	S.CERAMIC C1608 JB 1E 104K-T	T
C1308	4030011600	S.CERAMIC C1608 JB 1E 104K-T	T
C1309	4030011600	S.CERAMIC C1608 JB 1E 104K-T	T
C1310	4030011600	S.CERAMIC C1608 JB 1E 104K-T	T
C1315	4030011600	S.CERAMIC C1608 JB 1E 104K-T	T
C1451	4030011600	S.CERAMIC C1608 JB 1E 104K-T	T
C1501	4510004640	S.ELECTROLYTIC ECEV1CA470SP	T
C1502	4030011600	S.CERAMIC C1608 JB 1E 104K-T	T
C1503	4030011600	S.CERAMIC C1608 JB 1E 104K-T	T
C1504	4510004630	S.ELECTROLYTIC ECEV1CA100SR	T
C1505	4510004630	S.ELECTROLYTIC ECEV1CA100SR	T
C1506	4030011600	S.CERAMIC C1608 JB 1E 104K-T	T
C1507	4030011600	S.CERAMIC C1608 JB 1E 104K-T	T
C1508	4510004640	S.ELECTROLYTIC ECEV1CA470SP	T
C1509	4030008680	S.CERAMIC C2012 JF 1C 105Z-T	T
C1510	4030008680	S.CERAMIC C2012 JF 1C 105Z-T	T
C1551	4030008680	S.CERAMIC C2012 JF 1C 105Z-T	T
C1552	4510004640	S.ELECTROLYTIC ECEV1CA470SP	T
C1555	4510004640	S.ELECTROLYTIC ECEV1CA470SP	T
C1557	4030011600	S.CERAMIC C1608 JB 1E 104K-T	T
C1558	4510004630	S.ELECTROLYTIC ECEV1CA100SR	T
C1559	4030011600	S.CERAMIC C1608 JB 1E 104K-T	T
C1560	4030011600	S.CERAMIC C1608 JB 1E 104K-T	T
C1561	4030007170	S.CERAMIC C1608 CH 1H 221J-T	T
C1562	4030011600	S.CERAMIC C1608 JB 1E 104K-T	T
C1563	4030007170	S.CERAMIC C1608 CH 1H 221J-T	T
C1601	4510006670	S.ELECTROLYTIC ECEV1CA471P	T
C1602	4030011600	S.CERAMIC C1608 JB 1E 104K-T	T
C1603	4510006670	S.ELECTROLYTIC ECEV1CA471P	T
C1604	4510006670	S.ELECTROLYTIC ECEV1CA471P	T
C1605	4510006670	S.ELECTROLYTIC ECEV1CA471P	T
C1606	4030006880	S.CERAMIC C1608 JB 1H 472K-T	T
C1607	4510004630	S.ELECTROLYTIC ECEV1CA100SR	T
C1608	4030011600	S.CERAMIC C1608 JB 1E 104K-T	T
C1609	4030008680	S.CERAMIC C2012 JF 1C 105Z-T	T
C1610	4030011600	S.CERAMIC C1608 JB 1E 104K-T	T
C1618	4030008680	S.CERAMIC C2012 JF 1C 105Z-T	T
C1651	4030008850	S.CERAMIC C1608 JB 1H 123K-T	T
C1652	4030014300	S.CERAMIC C1608 JB 1E 563K-T	T
C1653	4030014300	S.CERAMIC C1608 JB 1E 563K-T	T
C1654	4030014300	S.CERAMIC C1608 JB 1E 563K-T	T
C1655	4030011600	S.CERAMIC C1608 JB 1E 104K-T	T
C1656	4510004630	S.ELECTROLYTIC ECEV1CA100SR	T
C1657	4510004630	S.ELECTROLYTIC ECEV1CA100SR	T
C1704	4030011600	S.CERAMIC C1608 JB 1E 104K-T	T
C1705	4030008680	S.CERAMIC C2012 JF 1C 105Z-T	T
C1706	4510006850	S.ELECTROLYTIC ECEV1CA4R7NR (16V 4.7)	T

[MAIN UNIT]

REF NO.	ORDER NO.	DESCRIPTION	M.
C1707	4030008850	S.CERAMIC C1608 JB 1H 123K-T	T
C1709	4030014300	S.CERAMIC C1608 JB 1E 563K-T	T
C1710	4030014300	S.CERAMIC C1608 JB 1E 563K-T	T
C1711	4030014300	S.CERAMIC C1608 JB 1E 563K-T	T
C1713	4510004630	S.ELECTROLYTIC ECEV1CA100SR	T
C1714	4510004630	S.ELECTROLYTIC ECEV1CA100SR	T
C1715	4030011600	S.CERAMIC C1608 JB 1E 104K-T	T
C1716	4030011600	S.CERAMIC C1608 JB 1E 104K-T	T
C1717	4030011600	S.CERAMIC C1608 JB 1E 104K-T	T
C1801	4030011600	S.CERAMIC C1608 JB 1E 104K-T	T
C1802	4030006880	S.CERAMIC C1608 JB 1H 472K-T	T
C1803	4030011600	S.CERAMIC C1608 JB 1E 104K-T	T
C1804	4030011600	S.CERAMIC C1608 JB 1E 104K-T	T
C1805	4030011600	S.CERAMIC C1608 JB 1E 104K-T	T
C1806	4030011600	S.CERAMIC C1608 JB 1E 104K-T	T
C1807	4030011600	S.CERAMIC C1608 JB 1E 104K-T	T
C1901	4030011600	S.CERAMIC C1608 JB 1E 104K-T	T
C1902	4030011600	S.CERAMIC C1608 JB 1E 104K-T	T
C1903	4030011600	S.CERAMIC C1608 JB 1E 104K-T	T
C1904	4030011600	S.CERAMIC C1608 JB 1E 104K-T	T
C1905	4030011600	S.CERAMIC C1608 JB 1E 104K-T	T
C1906	4030011600	S.CERAMIC C1608 JB 1E 104K-T	T
C1907	4030006880	S.CERAMIC C1608 JB 1H 472K-T	T
C1908	4030011600	S.CERAMIC C1608 JB 1E 104K-T	T
C1909	4030006880	S.CERAMIC C1608 JB 1H 472K-T	T
C1910	4030006880	S.CERAMIC C1608 JB 1H 472K-T	T
C1911	4030011600	S.CERAMIC C1608 JB 1E 104K-T	T
C1912	4030006880	S.CERAMIC C1608 JB 1H 472K-T	T
C1913	4030006880	S.CERAMIC C1608 JB 1H 472K-T	T
C1914	4030011600	S.CERAMIC C1608 JB 1E 104K-T	T
C1915	4030011600	S.CERAMIC C1608 JB 1E 104K-T	T
C1916	4030011600	S.CERAMIC C1608 JB 1E 104K-T	T
C1917	4030011600	S.CERAMIC C1608 JB 1E 104K-T	T
C1918	4030011600	S.CERAMIC C1608 JB 1E 104K-T	T
C1919	4030011600	S.CERAMIC C1608 JB 1E 104K-T	T
C1920	4030011600	S.CERAMIC C1608 JB 1E 104K-T	T
C2001	4510006850	S.ELECTROLYTIC ECEV1CA4R7NR (16V 4.7)	T
C2002	4510006850	S.ELECTROLYTIC ECEV1CA4R7NR (16V 4.7)	T
C2003	4030011600	S.CERAMIC C1608 JB 1E 104K-T	T
C2004	4510006850	S.ELECTROLYTIC ECEV1CA4R7NR (16V 4.7)	T
C2005	4030006880	S.CERAMIC C1608 JB 1H 472K-T	T
C2006	4030006880	S.CERAMIC C1608 JB 1H 472K-T	T
C2007	4030011600	S.CERAMIC C1608 JB 1E 104K-T	T
C2008	4030006880	S.CERAMIC C1608 JB 1H 472K-T	T
C2009	4510004600	ELECTROLYTIC 16 MV 1000 HC	T
C3001	4030006880	S.CERAMIC C1608 JB 1H 472K-T	T
C3002	4030008920	S.CERAMIC C1608 JB 1H 473K-T	T
C3003	4030008920	S.CERAMIC C1608 JB 1H 473K-T	T
C3004	4030008920	S.CERAMIC C1608 JB 1H 473K-T	T
C3005	4030008920	S.CERAMIC C1608 JB 1H 473K-T	T
C3007	4030007130	S.CERAMIC C1608 CH 1H 101J-T	T
C3008	4030018620	S.CERAMIC C1608 CH 1H 222J-T	T
C3009	4030011600	S.CERAMIC C1608 JB 1E 104K-T	T
C3101	4510004640	S.ELECTROLYTIC ECEV1CA470SP	T
C3102	4030011600	S.CERAMIC C1608 JB 1E 104K-T	T
C3103	4030011600	S.CERAMIC C1608 JB 1E 104K-T	T
C3104	4510004640	S.ELECTROLYTIC ECEV1CA470SP	T
C3201	4030018640	S.CERAMIC C2012 CH 1H 103J-T	T
C3202	4030006880	S.CERAMIC C1608 JB 1H 472K-T	T
C3302	4030011600	S.CERAMIC C1608 JB 1E 104K-T	T
C3303	4030011600	S.CERAMIC C1608 JB 1E 104K-T	T
C3304	4030007020	S.CERAMIC C1608 CH 1H 120J-T	T
C3305	4030007020	S.CERAMIC C1608 CH 1H 120J-T	T
C3307	4030006880	S.CERAMIC C1608 JB 1H 472K-T	T
C3308	4030011600	S.CERAMIC C1608 JB 1E 104K-T	T
C3309	4030006880	S.CERAMIC C1608 JB 1H 472K-T	T
C3310	4030011600	S.CERAMIC C1608 JB 1E 104K-T	T
C3311	4030011600	S.CERAMIC C1608 JB 1E 104K-T	T
C3315	4030011600	S.CERAMIC C1608 JB 1E 104K-T	T
C3316	4030011600	S.CERAMIC C1608 JB 1E 104K-T	T
C3317	4030007070	S.CERAMIC C1608 CH 1H 330J-T	T
C3318	4030007070	S.CERAMIC C1608 CH 1H 330J-T	T
C3319	4030006880	S.CERAMIC C1608 JB 1H 472K-T	T
C3601	4030011600	S.CERAMIC C1608 JB 1E 104K-T	T
C3602	4030011600	S.CERAMIC C1608 JB 1E 104K-T	T
C3603	4030011600	S.CERAMIC C1608 JB 1E 104K-T	T
C3606	4030011600	S.CERAMIC C1608 JB 1E 104K-T	T
C3607	4030011600	S.CERAMIC C1608 JB 1E 104K-T	T
C3608	4030011600	S.CERAMIC C1608 JB 1E 104K-T	T
C3610	4510004640	S.ELECTROLYTIC ECEV1CA470SP	T
C3802	4030011600	S.CERAMIC C1608 JB 1E 104K-T	T
C3803	4510005460	ELECTROLYTIC FYDOH 474Z	T
C3804	4030008680	S.CERAMIC C2012 JF 1C 105Z-T	T
C3901	4030011600	S.CERAMIC C1608 JB 1E 104K-T	T
C3902	4030007130	S.CERAMIC C1608 CH 1H 101J-T	T

M.=Mounted side (T: Mounted on the Top side, B: Mounted on the Bottom side)

S.=Surface mount

[MAIN UNIT]

REF NO.	ORDER NO.	DESCRIPTION		M.
J1	6510007020	CONNECTOR	TMP-J01X-V6	T
J51	6510007020	CONNECTOR	TMP-J01X-V6	T
J301	6510007020	CONNECTOR	TMP-J01X-V6	T
J601	6510007020	CONNECTOR	TMP-J01X-V6	T
J1101	6510021650	CONNECTOR	IMSA-9180B-30B	T
J1102	6510022810	CONNECTOR	IMSA-9180B-22B	T
J1451	6450000102	CONNECTOR	HSJ1857-01-1220	T
J1801	6510023840	CONNECTOR	TCS5107-182011	T
J1901	6510021720	S.CONNECTOR	30FLT-SM1-TB	T
J2051	6510023050	CONNECTOR	TCS7286-01-241	T
J3001	6510022620	S.CONNECTOR	10FMN-BMTTR-A-TBT	T
J3601	6510023090	S.CONNECTOR	20FLT-SM1-TB	T
J3602	6510021720	S.CONNECTOR	30FLT-SM1-TB	T
EP1	0910057203	PCB	B 6075C	
EP1451	6450001370	WASHER	HSJ0999-01-210	T
EP1901	6910012350	S.BEAD	MMZ1608Y 102BT	T
EP1902	6910012350	S.BEAD	MMZ1608Y 102BT	T
EP1903	6910012350	S.BEAD	MMZ1608Y 102BT	T
EP1904	6910012350	S.BEAD	MMZ1608Y 102BT	T

[PLL UNIT]

REF NO.	ORDER NO.	DESCRIPTION		M.
X5251	6050011770	S.XTAL	CR-770 (32 MHz)	T
L5005	6200009300	S.COIL	ELJPA 100KF 10U	T
L5021	2040000490	COIL	EXC-ELDR25C	T
L5081	6200002040	S.COIL	NL 252018T-101J	B
L5101	6200001830	S.COIL	NL 322522T-100J	T
L5202	6200003260	S.COIL	NL 322522T-101J	T
L5203	6150004250	COIL	LS-471A (C-14922)	T
L5204	6150004250	COIL	LS-471A (C-14922)	T
L5205	6200002180	S.COIL	NL 252018T-R12J	B
L5254	6200002000	S.COIL	NL 252018T-3R3J	T
L5255	6200002000	S.COIL	NL 252018T-3R3J	T
L5301	6200003260	S.COIL	NL 322522T-101J	T
L5302	6130001850	COIL	LB-185	T
L5303	6200001830	S.COIL	NL 322522T-100J	T
L5304	6200003260	S.COIL	NL 322522T-101J	T
L5351	6200003260	S.COIL	NL 322522T-101J	T
L5352	6200003100	S.COIL	NL 322522T-3R9J-3	T
L5401	6200001830	S.COIL	NL 322522T-100J	T
L5521	6170000400	COIL	LW-38	T
L5522	6170000400	COIL	LW-38	T
L5523	6190001280	COIL	E544GN-110248	T
L5552	6200003260	S.COIL	NL 322522T-101J	T
L5601	6200003260	S.COIL	NL 322522T-101J	T
L5602	6200003420	S.COIL	NL 322522T-R15J-3	T
L5603	6200003430	S.COIL	NL 322522T-R10J	T
L5604	6200003430	S.COIL	NL 322522T-R10J	T
L5605	6200003260	S.COIL	NL 322522T-101J	T
L5701	6200001830	S.COIL	NL 322522T-100J	T
L5781	6200005500	S.COIL	NL 322522T-471J	T
L5782	6200005500	S.COIL	NL 322522T-471J	T
L5783	6200005490	S.COIL	NL 322522T-331J	T
L7031	6200002040	S.COIL	NL 252018T-101J	B
L7035	6200002040	S.COIL	NL 252018T-101J	B
L7036	6140002240	COIL	LR-236 (T68-2)	T
L7037	6140001990	COIL	LR-226 (T68-2)	T
L7061	6200002040	S.COIL	NL 252018T-101J	B
L7065	6200002040	S.COIL	NL 252018T-101J	B
L7067	6140002240	COIL	LR-236 (T68-2)	T
L7068	6140002230	COIL	LR-235 (T68-2)	T
L7091	6200002040	S.COIL	NL 252018T-101J	B
L7095	6200002040	S.COIL	NL 252018T-101J	B
L7096	6140002340	COIL	LR-263 (T68-2)	T
L7097	6140002260	COIL	LR-238 (T68-2)	T
L7121	6200002040	S.COIL	NL 252018T-101J	B
L7125	6200002040	S.COIL	NL 252018T-101J	B
L7127	6140002280	COIL	LR-241 (T68-6)	T
L7128	6140002250	COIL	LR-237 (T68-2)	T
L7181	6200005050	S.COIL	NL 252018T-330J	B
L7183	6140002300	COIL	LR-243 (T68-10)	T
L7184	6140002280	COIL	LR-241 (T68-6)	T
L7185	6200005050	S.COIL	NL 252018T-330J	B
L7241	6200005010	S.COIL	NL 252018T-100J	B
L7244	6200005010	S.COIL	NL 252018T-100J	B
L7245	6140002330	COIL	LR-262 (T68-6)	T
L7246	6140002330	COIL	LR-262 (T68-6)	T
L7271	6200002040	S.COIL	NL 252018T-101J	T
L7272	6140004360	COIL	LR-496	T
L7273	6200002040	S.COIL	NL 252018T-101J	T
L7321	6140001460	COIL	LR-170	T
L7331	6200002040	S.COIL	NL 252018T-101J	T
L7332	6200002040	S.COIL	NL 252018T-101J	B
R5002	7030003400	S.RESISTOR	ERJ3GEYJ 471 V (470 Ω)	T
R5004	7030003400	S.RESISTOR	ERJ3GEYJ 471 V (470 Ω)	T
R5005	7030003400	S.RESISTOR	ERJ3GEYJ 471 V (470 Ω)	T
R5006	7030003400	S.RESISTOR	ERJ3GEYJ 471 V (470 Ω)	B
R5009	7030003400	S.RESISTOR	ERJ3GEYJ 471 V (470 Ω)	B
R5010	7030003400	S.RESISTOR	ERJ3GEYJ 471 V (470 Ω)	B
R5011	7030003400	S.RESISTOR	ERJ3GEYJ 471 V (470 Ω)	B
R5021	7070000311	RESISTOR	ERG1SJ 100 (10 Ω)	T
R5041	7030003280	S.RESISTOR	ERJ3GEYJ 470 V (47 Ω)	T
R5051	7030003340	S.RESISTOR	ERJ3GEYJ 151 V (150 Ω)	T
R5052	7030003860	S.RESISTOR	ERJ3GE JPW V	B
R5053	7030003860	S.RESISTOR	ERJ3GE JPW V	B
R5054	7030003860	S.RESISTOR	ERJ3GE JPW V	B
R5055	7030003860	S.RESISTOR	ERJ3GE JPW V	B
R5079	7030003860	S.RESISTOR	ERJ3GE JPW V	B
R5080	7030003860	S.RESISTOR	ERJ3GE JPW V	B
R5081	7030003640	S.RESISTOR	ERJ3GEYJ 473 V (47 kΩ)	T
R5082	7030003400	S.RESISTOR	ERJ3GEYJ 471 V (470 Ω)	T
R5083	7030003400	S.RESISTOR	ERJ3GEYJ 471 V (470 Ω)	B
R5084	7030003360	S.RESISTOR	ERJ3GEYJ 221 V (220 Ω)	B
R5085	7030003360	S.RESISTOR	ERJ3GEYJ 221 V (220 Ω)	B
R5086	7030003560	S.RESISTOR	ERJ3GEYJ 103 V (100 kΩ)	T
R5087	7030003680	S.RESISTOR	ERJ3GEYJ 104 V (100 kΩ)	B

[PLL UNIT]

REF NO.	ORDER NO.	DESCRIPTION		M.
IC5001	1180001070	S.IC	TA7805F (TE16L)	B
IC5031	1180001250	S.IC	TA7808F (TE16L)	B
IC5081	1120002920	S.IC	ADM202EARN	T
IC5082	1130006800	S.IC	TC7W08F (TE12L)	B
IC5083	1130007040	S.IC	TC7W32F (TE12L)	B
IC5084	1170000290	S.IC	PS2701-1-F3	T
IC5085	1170000290	S.IC	PS2701-1-F3	B
IC5101	1140007880	S.IC	TC190G08AF-0046-Z/SC-1246A	T
IC5102	1130004830	S.IC	TC7SU04F (TE85R)	T
IC5103	1130004830	S.IC	TC7SU04F (TE85R)	T
IC5401	1130009230	S.IC	LMX2306TMX	T
IC5701	1140004550	S.IC	M65343FP/SC1287	T
IC5702	1130004830	S.IC	TC7SU04F (TE85R)	T
Q5081	1530002690	S.TRANSISTOR	2SC4116-GR (TE85R)	T
Q5082	1530002690	S.TRANSISTOR	2SC4116-GR (TE85R)	T
Q5083	1590000680	S.TRANSISTOR	DTC114EUA T106	B
Q5084	1530002690	S.TRANSISTOR	2SC4116-GR (TE85R)	B
Q5085	1590000680	S.TRANSISTOR	DTC114EUA T106	B
Q5101	1530002690	S.TRANSISTOR	2SC4116-GR (TE85R)	T
Q5202	1530002600	S.TRANSISTOR	2SC4215-O (TE85R)	T
Q5281	1530002600	S.TRANSISTOR	2SC4215-O (TE85R)	T
Q5301	1560000330	S.FET	2SK210-GR (TE85R)	T
Q5302	1530002690	S.TRANSISTOR	2SC4116-GR (TE85R)	T
Q5351	1530002600	S.TRANSISTOR	2SC4215-O (TE85R)	T
Q5401	1590001330	S.TRANSISTOR	DTA114EUA T106	T
Q5521	1560000490	S.FET	2SK508 K52 T2B	T
Q5553	1530002690	S.TRANSISTOR	2SC4116-GR (TE85R)	T
Q5601	1530002600	S.TRANSISTOR	2SC4215-O (TE85R)	T
Q5602	1530002600	S.TRANSISTOR	2SC4215-O (TE85R)	T
Q5603	1530002600	S.TRANSISTOR	2SC4215-O (TE85R)	T
Q5604	1530002600	S.TRANSISTOR	2SC4215-O (TE85R)	T
Q7301	1590000680	S.TRANSISTOR	DTC114EUA T106	B
D5051	1790001250	S.DIODE	MA2S111-(TX)	B
D5081	1790001250	S.DIODE	MA2S111-(TX)	T
D5082	1790001250	S.DIODE	MA2S111-(TX)	B
D5083	1790001250	S.DIODE	MA2S111-(TX)	B
D5084	1790001250	S.DIODE	MA2S111-(TX)	B
D5085	1790001250	S.DIODE	MA2S111-(TX)	B
D5086	1790001250	S.DIODE	MA2S111-(TX)	B
D5101	1750000270	S.DIODE	1SS301 (TE85R)	T
D5301	1790000540	S.VARICAP	MA338 (TX)	T
D5302	1790001210	S.DIODE	1SS375-TL	T
D5303	1790001210	S.DIODE	1SS375-TL	T
D5402	1750000270	S.DIODE	1SS301 (TE85R)	T
D5521	1720000830	S.VARICAP	KV1770STL	T
D7271	1750000190	S.DIODE	1SS322 (TE85R)	T
D7272	1750000190	S.DIODE	1SS322 (TE85R)	T
D7301	1750000550	S.DIODE	1SS355 TE-17	B
FI5101	2020001820	S.CERAMIC	SFECV10M5FA00-R0	T

M.=Mounted side (T: Mounted on the Top side, B: Mounted on the Bottom side)

S.=Surface mount

[PLL UNIT]

REF NO.	ORDER NO.	DESCRIPTION	M.
R5088	7030003640	S.RESISTOR ERJ3GEYJ 473 V (47 kΩ)	T
R5089	7030009620	S.RESISTOR ERJ12YJ120U (12 Ω)	B
R5090	7030003520	S.RESISTOR ERJ3GEYJ 472 V (4.7 kΩ)	T
R5091	7030003520	S.RESISTOR ERJ3GEYJ 472 V (4.7 kΩ)	B
R5092	7030003520	S.RESISTOR ERJ3GEYJ 472 V (4.7 kΩ)	B
R5093	7030003640	S.RESISTOR ERJ3GEYJ 473 V (47 kΩ)	B
R5094	7030003640	S.RESISTOR ERJ3GEYJ 473 V (47 kΩ)	B
R5095	7030003640	S.RESISTOR ERJ3GEYJ 473 V (47 kΩ)	B
R5096	7030003640	S.RESISTOR ERJ3GEYJ 473 V (47 kΩ)	B
R5097	7030003640	S.RESISTOR ERJ3GEYJ 473 V (47 kΩ)	T
R5098	7030003640	S.RESISTOR ERJ3GEYJ 473 V (47 kΩ)	T
R5099	7030003640	S.RESISTOR ERJ3GEYJ 473 V (47 kΩ)	T
R5101	7030007200	S.RESISTOR ERA3YEB 202V	T
R5102	7030007200	S.RESISTOR ERA3YEB 202V	T
R5103	7030007200	S.RESISTOR ERA3YEB 202V	T
R5104	7030007200	S.RESISTOR ERA3YEB 202V	T
R5105	7030007200	S.RESISTOR ERA3YEB 202V	T
R5106	7030007220	S.RESISTOR ERA3YED 202V	T
R5107	7030007220	S.RESISTOR ERA3YED 202V	T
R5108	7030007220	S.RESISTOR ERA3YED 202V	T
R5109	7030007220	S.RESISTOR ERA3YED 202V	T
R5110	7030007220	S.RESISTOR ERA3YED 202V	T
R5111	7030007220	S.RESISTOR ERA3YED 202V	T
R5112	7030007220	S.RESISTOR ERA3YED 202V	T
R5113	7030007210	S.RESISTOR ERA3YEB 102V	T
R5114	7030007210	S.RESISTOR ERA3YEB 102V	T
R5115	7030007210	S.RESISTOR ERA3YEB 102V	T
R5116	7030007210	S.RESISTOR ERA3YEB 102V	T
R5117	7030007210	S.RESISTOR ERA3YEB 102V	T
R5118	7030007230	S.RESISTOR ERA3YED 102V	T
R5119	7030007230	S.RESISTOR ERA3YED 102V	T
R5120	7030007230	S.RESISTOR ERA3YED 102V	T
R5121	7030007230	S.RESISTOR ERA3YED 102V	T
R5122	7030007230	S.RESISTOR ERA3YED 102V	T
R5123	7030007230	S.RESISTOR ERA3YED 102V	T
R5124	7030007220	S.RESISTOR ERA3YED 202V	T
R5125	7030003320	S.RESISTOR ERJ3GEYJ 101 V (100 Ω)	T
R5126	7030003800	S.RESISTOR ERJ3GEYJ 105 V (1 MΩ)	T
R5127	7030003380	S.RESISTOR ERJ3GEYJ 331 V (330 Ω)	T
R5128	7030003320	S.RESISTOR ERJ3GEYJ 101 V (100 Ω)	T
R5129	7030003380	S.RESISTOR ERJ3GEYJ 331 V (330 Ω)	T
R5130	7030003460	S.RESISTOR ERJ3GEYJ 152 V (1.5 kΩ)	T
R5131	7030003400	S.RESISTOR ERJ3GEYJ 471 V (470 Ω)	T
R5132	7030003490	S.RESISTOR ERJ3GEYJ 272 V (2.7 kΩ)	T
R5133	7030003640	S.RESISTOR ERJ3GEYJ 473 V (47 kΩ)	T
R5134	7030003640	S.RESISTOR ERJ3GEYJ 473 V (47 kΩ)	T
R5135	7030003800	S.RESISTOR ERJ3GEYJ 105 V (1 MΩ)	T
R5136	7030003680	S.RESISTOR ERJ3GEYJ 104 V (100 kΩ)	T
R5137	7030003440	S.RESISTOR ERJ3GEYJ 102 V (1 kΩ)	T
R5138	7030003440	S.RESISTOR ERJ3GEYJ 102 V (1 kΩ)	T
R5139	7030003440	S.RESISTOR ERJ3GEYJ 102 V (1 kΩ)	T
R5140	7030003640	S.RESISTOR ERJ3GEYJ 473 V (47 kΩ)	T
R5141	7030003640	S.RESISTOR ERJ3GEYJ 473 V (47 kΩ)	T
R5142	7030003640	S.RESISTOR ERJ3GEYJ 473 V (47 kΩ)	T
R5143	7030003640	S.RESISTOR ERJ3GEYJ 473 V (47 kΩ)	T
R5144	7030003640	S.RESISTOR ERJ3GEYJ 473 V (47 kΩ)	T
R5145	7030003640	S.RESISTOR ERJ3GEYJ 473 V (47 kΩ)	T
R5146	7030003430	S.RESISTOR ERJ3GEYJ 821 V (820 Ω)	T
R5147	7030003860	S.RESISTOR ERJ3GE JPW V	B
R5148	7030008240	S.RESISTOR ERJ12YJ0R00U	B
R5203	7030003320	S.RESISTOR ERJ3GEYJ 101 V (100 Ω)	T
R5204	7030003600	S.RESISTOR ERJ3GEYJ 223 V (22 kΩ)	T
R5205	7030003560	S.RESISTOR ERJ3GEYJ 103 V (10 kΩ)	T
R5206	7030003360	S.RESISTOR ERJ3GEYJ 221 V (220 Ω)	T
R5207	7030003280	S.RESISTOR ERJ3GEYJ 470 V (47 Ω)	T
R5251	7030003860	S.RESISTOR ERJ3GE JPW V	B
R5252	7030003860	S.RESISTOR ERJ3GE JPW V	B
R5254	7030003440	S.RESISTOR ERJ3GEYJ 102 V (1 kΩ)	T
R5255	7310002740	S.TRIMMER RV-150 (RH03A3A14X0FC) 103	T
R5256	7030003440	S.RESISTOR ERJ3GEYJ 102 V (1 kΩ)	T
R5281	7030003400	S.RESISTOR ERJ3GEYJ 471 V (470 Ω)	T
R5282	7030003320	S.RESISTOR ERJ3GEYJ 101 V (100 Ω)	T
R5283	7030003480	S.RESISTOR ERJ3GEYJ 222 V (2.2 kΩ)	T
R5284	7030003520	S.RESISTOR ERJ3GEYJ 472 V (4.7 kΩ)	T
R5302	7030003340	S.RESISTOR ERJ3GEYJ 151 V (150 Ω)	T
R5303	7030003680	S.RESISTOR ERJ3GEYJ 104 V (100 kΩ)	T
R5304	7030003680	S.RESISTOR ERJ3GEYJ 104 V (100 kΩ)	T
R5305	7030003340	S.RESISTOR ERJ3GEYJ 151 V (150 Ω)	T
R5306	7030003320	S.RESISTOR ERJ3GEYJ 101 V (100 Ω)	T
R5307	7030003690	S.RESISTOR ERJ3GEYJ 124 V (120 kΩ)	T
R5308	7030003320	S.RESISTOR ERJ3GEYJ 101 V (100 Ω)	T
R5309	7030003430	S.RESISTOR ERJ3GEYJ 821 V (820 Ω)	T
R5310	7030003430	S.RESISTOR ERJ3GEYJ 821 V (820 Ω)	T
R5311	7030003430	S.RESISTOR ERJ3GEYJ 821 V (820 Ω)	T
R5312	7030003400	S.RESISTOR ERJ3GEYJ 471 V (470 Ω)	T
R5351	7030003570	S.RESISTOR ERJ3GEYJ 123 V (12 kΩ)	T
R5352	7030003400	S.RESISTOR ERJ3GEYJ 471 V (470 Ω)	T
R5353	7030003440	S.RESISTOR ERJ3GEYJ 102 V (1 kΩ)	T

M.=Mounted side (T: Mounted on the Top side, B: Mounted on the Bottom side)

[PLL UNIT]

REF NO.	ORDER NO.	DESCRIPTION	M.
R5354	7030003400	S.RESISTOR ERJ3GEYJ 471 V (470 Ω)	T
R5401	7030003860	S.RESISTOR ERJ3GE JPW V	T
R5403	7030003450	S.RESISTOR ERJ3GEYJ 122 V (1.2 kΩ)	T
R5404	7030003440	S.RESISTOR ERJ3GEYJ 102 V (1 kΩ)	T
R5406	7030003680	S.RESISTOR ERJ3GEYJ 104 V (100 kΩ)	T
R5407	7030003440	S.RESISTOR ERJ3GEYJ 102 V (1 kΩ)	T
R5408	7030003440	S.RESISTOR ERJ3GEYJ 102 V (1 kΩ)	T
R5409	7030003860	S.RESISTOR ERJ3GE JPW V	T
R5410	7030003440	S.RESISTOR ERJ3GEYJ 102 V (1 kΩ)	T
R5411	7030003860	S.RESISTOR ERJ3GE JPW V	T
R5512	7030003860	S.RESISTOR ERJ3GE JPW V	T
R5522	7030003370	S.RESISTOR ERJ3GEYJ 271 V (270 Ω)	T
R5524	7030003320	S.RESISTOR ERJ3GEYJ 101 V (100 Ω)	T
R5551	7030003320	S.RESISTOR ERJ3GEYJ 101 V (100 Ω)	T
R5552	7030003860	S.RESISTOR ERJ3GE JPW V	B
R5556	7030003560	S.RESISTOR ERJ3GEYJ 103 V (10 kΩ)	T
R5557	7030003560	S.RESISTOR ERJ3GEYJ 103 V (10 kΩ)	T
R5601	7030003520	S.RESISTOR ERJ3GEYJ 472 V (4.7 kΩ)	T
R5602	7030003320	S.RESISTOR ERJ3GEYJ 101 V (100 Ω)	T
R5603	7030003440	S.RESISTOR ERJ3GEYJ 102 V (1 kΩ)	T
R5604	7030003650	S.RESISTOR ERJ3GEYJ 563 V (56 kΩ)	T
R5605	7030003320	S.RESISTOR ERJ3GEYJ 101 V (100 Ω)	T
R5606	7030003380	S.RESISTOR ERJ3GEYJ 331 V (330 Ω)	T
R5607	7030003520	S.RESISTOR ERJ3GEYJ 472 V (4.7 kΩ)	T
R5608	7030003520	S.RESISTOR ERJ3GEYJ 472 V (4.7 kΩ)	T
R5609	7030003320	S.RESISTOR ERJ3GEYJ 101 V (100 Ω)	T
R5610	7030003360	S.RESISTOR ERJ3GEYJ 221 V (220 Ω)	T
R5611	7030003860	S.RESISTOR ERJ3GE JPW V	T
R5612	7030003380	S.RESISTOR ERJ3GEYJ 331 V (330 Ω)	T
R5613	7030003650	S.RESISTOR ERJ3GEYJ 563 V (56 kΩ)	T
R5614	7030003350	S.RESISTOR ERJ3GEYJ 181 V (180 Ω)	T
R5701	7030007220	S.RESISTOR ERA3YED 202V	T
R5702	7030007230	S.RESISTOR ERA3YED 102V	T
R5703	7030007230	S.RESISTOR ERA3YED 102V	T
R5704	7030007230	S.RESISTOR ERA3YED 102V	T
R5705	7030007230	S.RESISTOR ERA3YED 102V	T
R5706	7030007230	S.RESISTOR ERA3YED 102V	T
R5707	7030007230	S.RESISTOR ERA3YED 102V	T
R5708	7030007210	S.RESISTOR ERA3YEB 102V	T
R5709	7030007210	S.RESISTOR ERA3YEB 102V	T
R5710	7030007210	S.RESISTOR ERA3YEB 102V	T
R5711	7030007220	S.RESISTOR ERA3YED 202V	T
R5712	7030007220	S.RESISTOR ERA3YED 202V	T
R5713	7030007220	S.RESISTOR ERA3YED 202V	T
R5714	7030007220	S.RESISTOR ERA3YED 202V	T
R5715	7030007230	S.RESISTOR ERA3YED 102V	T
R5716	7030007220	S.RESISTOR ERA3YED 202V	T
R5717	7030007220	S.RESISTOR ERA3YED 202V	T
R5718	7030007200	S.RESISTOR ERA3YEB 202V	T
R5719	7030007200	S.RESISTOR ERA3YEB 202V	T
R5720	7030007200	S.RESISTOR ERA3YEB 202V	T
R5721	7030003800	S.RESISTOR ERJ3GEYJ 105 V (1 MΩ)	T
R5722	7030003320	S.RESISTOR ERJ3GEYJ 101 V (100 Ω)	T
R5781	7030003450	S.RESISTOR ERJ3GEYJ 122 V (1.2 kΩ)	B
R5782	7030003340	S.RESISTOR ERJ3GEYJ 151 V (150 Ω)	B
R5783	7030003450	S.RESISTOR ERJ3GEYJ 122 V (1.2 kΩ)	B
R7271	7030003560	S.RESISTOR ERJ3GEYJ 103 V (10 kΩ)	T
R7272	7030003490	S.RESISTOR ERJ3GEYJ 272 V (2.7 kΩ)	T
R7273	7030003520	S.RESISTOR ERJ3GEYJ 472 V (4.7 kΩ)	T
R7274	7030006220	S.RESISTOR ERJ12YJ470U (47 Ω)	B
R7275	7030003560	S.RESISTOR ERJ3GEYJ 103 V (10 kΩ)	T
R7276	7030003490	S.RESISTOR ERJ3GEYJ 272 V (2.7 kΩ)	T
R7277	7030003520	S.RESISTOR ERJ3GEYJ 472 V (4.7 kΩ)	T
R7301	7030003200	S.RESISTOR ERJ3GEYJ 100 V (10 Ω)	B
R7314	7540000250	ABSORBER SA05C 401N	T
R7315	7030010650	S.RESISTOR ERJ12YJ823U (82 kΩ)	B
R7353	7030007180	S.RESISTOR ERJ12YJ150U (15 Ω)	B
R7354	7030009620	S.RESISTOR ERJ12YJ120U (12 Ω)	B
R7355	7030006060	S.RESISTOR ERJ12YJ100U (10 Ω)	B
R7356	7030006060	S.RESISTOR ERJ12YJ100U (10 Ω)	B
R7357	7030006060	S.RESISTOR ERJ12YJ100U (10 Ω)	B
R7358	7030006060	S.RESISTOR ERJ12YJ100U (10 Ω)	B
C5021	4510004640	S.ELECTROLYTIC ECEV1CA470SP	T
C5022	4030011600	S.CERAMIC C1608 JB 1E 104K-T	B
C5023	4030011600	S.CERAMIC C1608 JB 1E 104K-T	B
C5024	4510007510	S.ELECTOR ECEV1AA470WR	T
C5031	4510004640	S.ELECTROLYTIC ECEV1CA470SP	T
C5032	4030011600	S.CERAMIC C1608 JB 1E 104K-T	B
C5033	4030011600	S.CERAMIC C1608 JB 1E 104K-T	B
C5034	4510007510	S.ELECTOR ECEV1AA470WR	T
C5041	4030006880	S.CERAMIC C1608 JB 1H 472K-T	B
C5051	4030011600	S.CERAMIC C1608 JB 1E 104K-T	B
C5052	4030007170	S.CERAMIC C1608 CH 1H 221J-T	B
C5053	4030007170	S.CERAMIC C1608 CH 1H 221J-T	B
C5054	4030007170	S.CERAMIC C1608 CH 1H 221J-T	B
C5055	4030007170	S.CERAMIC C1608 CH 1H 221J-T	B

S.=Surface mount

[PLL UNIT]

REF NO.	ORDER NO.	DESCRIPTION	M.
C5080	4030006880	S.CERAMIC C1608 JB 1H 472K-T	B
C5081	4030006880	S.CERAMIC C1608 JB 1H 472K-T	T
C5082	4030006880	S.CERAMIC C1608 JB 1H 472K-T	B
C5083	4030006900	S.CERAMIC C1608 JB 1H 103K-T	B
C5084	4030006900	S.CERAMIC C1608 JB 1H 103K-T	T
C5085	4030008680	S.CERAMIC C2012 JF 1C 105Z-T	T
C5086	4030008680	S.CERAMIC C2012 JF 1C 105Z-T	T
C5087	4030008680	S.CERAMIC C2012 JF 1C 105Z-T	T
C5088	4030008680	S.CERAMIC C2012 JF 1C 105Z-T	B
C5089	4030006900	S.CERAMIC C1608 JB 1H 103K-T	B
C5091	4030006900	S.CERAMIC C1608 JB 1H 103K-T	T
C5092	4030006880	S.CERAMIC C1608 JB 1H 472K-T	T
C5093	4030006880	S.CERAMIC C1608 JB 1H 472K-T	B
C5101	4030007060	S.CERAMIC C1608 CH 1H 270J-T	T
C5102	4030007010	S.CERAMIC C1608 CH 1H 100D-T	T
C5103	4030006960	S.CERAMIC C1608 CH 1H 050C-T	T
C5104	4030006880	S.CERAMIC C1608 JB 1H 472K-T	T
C5105	4030006880	S.CERAMIC C1608 JB 1H 102K-T	T
C5106	4030006880	S.CERAMIC C1608 JB 1H 472K-T	T
C5107	4030006880	S.CERAMIC C1608 JB 1H 472K-T	T
C5108	4030006880	S.CERAMIC C1608 JB 1H 472K-T	T
C5110	4510004630	S.ELECTROLYTIC ECEV1CA100SR	T
C5111	4030006880	S.CERAMIC C1608 JB 1H 472K-T	T
C5112	4030007090	S.CERAMIC C1608 CH 1H 470J-T	T
C5113	4030006880	S.CERAMIC C1608 JB 1H 472K-T	T
C5115	4030006880	S.CERAMIC C1608 JB 1H 472K-T	T
C5116	4510004640	S.ELECTROLYTIC ECEV1CA470SP	T
C5117	4030006880	S.CERAMIC C1608 JB 1H 472K-T	T
C5118	4030006880	S.CERAMIC C1608 JB 1H 472K-T	T
C5120	4030006880	S.CERAMIC C1608 JB 1H 472K-T	T
C5121	4030006880	S.CERAMIC C1608 JB 1H 472K-T	T
C5122	4030006880	S.CERAMIC C1608 JB 1H 472K-T	T
C5123	4030006880	S.CERAMIC C1608 JB 1H 472K-T	T
C5124	4030006880	S.CERAMIC C1608 JB 1H 472K-T	T
C5125	4030011600	S.CERAMIC C1608 JB 1E 104K-T	T
C5126	4030011600	S.CERAMIC C1608 JB 1E 104K-T	T
C5130	4030011600	S.CERAMIC C1608 JB 1E 104K-T	B
C5131	4340000050	S.MYLAR ECH-U 1C472JB5	B
C5201	4030006860	S.CERAMIC C1608 JB 1H 102K-T	T
C5202	4030006860	S.CERAMIC C1608 JB 1H 102K-T	T
C5203	4030006880	S.CERAMIC C1608 JB 1H 472K-T	T
C5204	4030006880	S.CERAMIC C1608 JB 1H 472K-T	T
C5205	4030007030	S.CERAMIC C1608 CH 1H 150J-T	T
C5206	4030006910	S.CERAMIC C1608 CH 1H 0R5C-T	T
C5207	4030007030	S.CERAMIC C1608 CH 1H 150J-T	T
C5208	4030007100	S.CERAMIC C1608 CH 1H 560J-T	B
C5209	4030007100	S.CERAMIC C1608 CH 1H 560J-T	B
C5256	4030006990	S.CERAMIC C1608 CH 1H 080D-T	T
C5257	4030006920	S.CERAMIC C1608 CH 1H 010C-T	T
C5258	4030007010	S.CERAMIC C1608 CH 1H 100D-T	T
C5259	4030006930	S.CERAMIC C1608 CH 1H 020C-T	T
C5260	4030006980	S.CERAMIC C1608 CH 1H 070D-T	T
C5261	4030006880	S.CERAMIC C1608 JB 1H 472K-T	T
C5262	4030011600	S.CERAMIC C1608 JB 1E 104K-T	T
C5263	4510004630	S.ELECTROLYTIC ECEV1CA100SR	T
C5264	4030006880	S.CERAMIC C1608 JB 1H 472K-T	T
C5281	4030006880	S.CERAMIC C1608 JB 1H 472K-T	T
C5282	4030006860	S.CERAMIC C1608 JB 1H 102K-T	T
C5283	4030006880	S.CERAMIC C1608 JB 1H 472K-T	T
C5301	4550000730	S.TANTALUM TEESVA OJ 225M8L	T
C5302	4030006880	S.CERAMIC C1608 JB 1H 472K-T	T
C5303	4030009650	S.CERAMIC C1608 CH 1H 240J-T	T
C5304	4030011570	S.CERAMIC CM105 CH 101G 50AT	T
C5305	4610001850	S.TRIMMER TZB4R200AB10R00	T
C5306	4030007150	S.CERAMIC C1608 CH 1H 151J-T	T
C5307	4030007150	S.CERAMIC C1608 CH 1H 151J-T	T
C5308	4030007150	S.CERAMIC C1608 CH 1H 151J-T	T
C5309	4030006880	S.CERAMIC C1608 JB 1H 472K-T	T
C5310	4030007010	S.CERAMIC C1608 CH 1H 100D-T	T
C5311	4030006880	S.CERAMIC C1608 JB 1H 472K-T	T
C5312	4510004630	S.ELECTROLYTIC ECEV1CA100SR	T
C5313	4030006880	S.CERAMIC C1608 JB 1H 472K-T	T
C5314	4030006880	S.CERAMIC C1608 JB 1H 472K-T	T
C5315	4030006880	S.CERAMIC C1608 JB 1H 472K-T	T
C5351	4030006880	S.CERAMIC C1608 JB 1H 472K-T	T
C5352	4030006880	S.CERAMIC C1608 JB 1H 472K-T	T
C5353	4030006880	S.CERAMIC C1608 JB 1H 472K-T	T
C5354	4030010000	S.CERAMIC C1608 CH 1H 510J-T	T
C5355	4030006960	S.CERAMIC C1608 CH 1H 050C-T	T
C5356	4030010000	S.CERAMIC C1608 CH 1H 510J-T	T
C5357	4030006880	S.CERAMIC C1608 JB 1H 472K-T	T
C5401	4030011600	S.CERAMIC C1608 JB 1E 104K-T	T
C5402	4030006860	S.CERAMIC C1608 JB 1H 102K-T	T
C5403	4030006900	S.CERAMIC C1608 JB 1H 103K-T	T
C5404	4030006880	S.CERAMIC C1608 JB 1H 472K-T	T
C5408	4550005980	S.TANTALUM TEESVA 1A 475M8L	T
C5521	4610001830	S.TRIMMER TZB4S100AB10R00	T
C5522	4030007130	S.CERAMIC C1608 CH 1H 101J-T	T

M.=Mounted side (T: Mounted on the Top side, B: Mounted on the Bottom side)

[PLL UNIT]

REF NO.	ORDER NO.	DESCRIPTION	M.
C5523	4030007010	S.CERAMIC C1608 CH 1H 100D-T	T
C5524	4030006880	S.CERAMIC C1608 JB 1H 472K-T	T
C5525	4030006870	S.CERAMIC C1608 JB 1H 222K-T	T
C5526	4030009520	S.CERAMIC C1608 CH 1H 020B-T	T
C5528	4030006860	S.CERAMIC C1608 JB 1H 102K-T	T
C5529	4030011340	S.CERAMIC C1608 CH 1H 471J-T	T
C5551	4550005980	S.TANTALUM TEESVA 1A 475M8L	T
C5552	4550003250	S.TANTALUM TEESVA 1V 474M8L	T
C5556	4030006860	S.CERAMIC C1608 JB 1H 102K-T	T
C5557	4030011600	S.CERAMIC C1608 JB 1E 104K-T	T
C5558	4510004590	ELECTROLYTIC 16 MV 470 HC	T
C5560	4510005430	S.ELECTROLYTIC ECEV0JA220SR	T
C5561	4030011340	S.CERAMIC C1608 CH 1H 471J-T	T
C5601	4030006880	S.CERAMIC C1608 JB 1H 472K-T	T
C5602	4030006860	S.CERAMIC C1608 JB 1H 102K-T	T
C5603	4030006880	S.CERAMIC C1608 JB 1H 472K-T	T
C5604	4030006880	S.CERAMIC C1608 JB 1H 472K-T	T
C5605	4030006880	S.CERAMIC C1608 JB 1H 472K-T	T
C5606	4030006860	S.CERAMIC C1608 JB 1H 102K-T	T
C5607	4030006880	S.CERAMIC C1608 JB 1H 472K-T	T
C5608	4030006880	S.CERAMIC C1608 JB 1H 472K-T	T
C5609	4030007090	S.CERAMIC C1608 CH 1H 470J-T	T
C5610	4030007130	S.CERAMIC C1608 CH 1H 101J-T	T
C5611	4030007090	S.CERAMIC C1608 CH 1H 470J-T	T
C5612	4030007060	S.CERAMIC C1608 CH 1H 270J-T	T
C5613	4030007020	S.CERAMIC C1608 CH 1H 120J-T	T
C5614	4030007060	S.CERAMIC C1608 CH 1H 270J-T	T
C5615	4030006970	S.CERAMIC C1608 CH 1H 060D-T	T
C5616	4030007040	S.CERAMIC C1608 CH 1H 180J-T	T
C5617	4030006860	S.CERAMIC C1608 JB 1H 102K-T	T
C5618	4030006880	S.CERAMIC C1608 JB 1H 472K-T	T
C5619	4030006930	S.CERAMIC C1608 CH 1H 020C-T	T
C5701	4030006880	S.CERAMIC C1608 JB 1H 472K-T	T
C5702	4030006880	S.CERAMIC C1608 JB 1H 472K-T	T
C5703	4030006880	S.CERAMIC C1608 JB 1H 472K-T	T
C5704	4030006880	S.CERAMIC C1608 JB 1H 472K-T	T
C5705	4030006880	S.CERAMIC C1608 JB 1H 472K-T	T
C5706	4030006880	S.CERAMIC C1608 JB 1H 472K-T	T
C5707	4030006880	S.CERAMIC C1608 JB 1H 472K-T	T
C5708	4510005600	S.ELECTROLYTIC ECEV1CS100SR	T
C5709	4030006880	S.CERAMIC C1608 JB 1H 472K-T	T
C5710	4030006860	S.CERAMIC C1608 JB 1H 102K-T	T
C5711	4030007010	S.CERAMIC C1608 CH 1H 100D-T	T
C5781	4030011280	S.CERAMIC C1608 CH 1H 271J-T	T
C5782	4030007080	S.CERAMIC C1608 CH 1H 390J-T	T
C5783	4030011340	S.CERAMIC C1608 CH 1H 471J-T	T
C5784	4030007110	S.CERAMIC C1608 CH 1H 680J-T	T
C5785	4030011340	S.CERAMIC C1608 CH 1H 471J-T	T
C5794	4030006880	S.CERAMIC C1608 JB 1H 472K-T	T
C7031	4030008680	S.CERAMIC C2012 JF 1C 105Z-T	B
C7032	4030011600	S.CERAMIC C1608 JB 1E 104K-T	B
C7033	4320001160	DIP_MICA KD20C 182J5A	T
C7034	4010006410	CERAMIC HM13SJ SL 471J 500V	T
C7035	4010005930	CERAMIC HM11SJ SL 391J 500V	T
C7036	4320000981	DIP MICA KD20C 222J5A	T
C7038	4030014460	S.CERAMIC GRM31M2C2H820JV01L (GRM42-6 CH)	B
C7039	4320000721	DIP MICA KD20C 152J5A	T
C7040	4030012480	S.CERAMIC GRM31M2C2H121JV01L (GRM42-6 CH)	B
C7046	4030011600	S.CERAMIC C1608 JB 1E 104K-T	B
C7061	4030008680	S.CERAMIC C2012 JF 1C 105Z-T	B
C7062	4030011600	S.CERAMIC C1608 JB 1E 104K-T	B
C7072	4010006410	CERAMIC HM13SJ SL 471J 500V	T
C7073	4010006410	CERAMIC HM13SJ SL 471J 500V	T
C7074	4010006410	CERAMIC HM13SJ SL 471J 500V	T
C7077	4010006410	CERAMIC HM13SJ SL 471J 500V	T
C7078	4010006410	CERAMIC HM13SJ SL 471J 500V	T
C7079	4010006410	CERAMIC HM13SJ SL 471J 500V	T
C7080	4030014460	S.CERAMIC GRM31M2C2H820JV01L (GRM42-6 CH)	B
C7081	4030011550	S.CERAMIC GRM31M2C2H680JV01L (GRM42-6 CH)	B
C7082	4010005930	CERAMIC HM11SJ SL 391J 500V	T
C7083	4010005370	CERAMIC HM11SJ SL 331J 500V	T
C7085	4030011600	S.CERAMIC C1608 JB 1E 104K-T	B
C7091	4030008680	S.CERAMIC C2012 JF 1C 105Z-T	B
C7092	4030006880	S.CERAMIC C1608 JB 1H 472K-T	T
C7094	4010005370	CERAMIC HM11SJ SL 331J 500V	T
C7095	4010007490	CERAMIC HM15SJ SL 561J 500V	T
C7096	4010006410	CERAMIC HM13SJ SL 471J 500V	T
C7097	4030011510	S.CERAMIC GRM31M2C2H560JV01L (GRM42-6 CH)	B
C7098	4010006410	CERAMIC HM13SJ SL 471J 500V	T
C7099	4010007490	CERAMIC HM15SJ SL 561J 500V	T
C7102	4030006880	S.CERAMIC C1608 JB 1H 472K-T	B
C7105	4010005930	CERAMIC HM11SJ SL 391J 500V	T
C7106	4030014460	S.CERAMIC GRM31M2C2H820JV01L (GRM42-6 CH)	B
C7107	4030011550	S.CERAMIC GRM31M2C2H680JV01L (GRM42-6 CH)	B
C7110	4030011120	S.CERAMIC GRM31M2C2H100JV01L (GRM42-6 CH)	B
C7121	4030008680	S.CERAMIC C2012 JF 1C 105Z-T	B
C7122	4030006880	S.CERAMIC C1608 JB 1H 472K-T	B
C7123	4010005870	CERAMIC HM95SJ SL 221J 500V	T

S.=Surface mount

[PLL UNIT]

REF NO.	ORDER NO.	DESCRIPTION	M.
C7126	4010005360	CERAMIC HM11SJ SL 301J 500V	T
C7128	4010005370	CERAMIC HM11SJ SL 331J 500V	T
C7129	4010005870	CERAMIC HM95SJ SL 221J 500V	T
C7130	4030011550	S.CERAMIC GRM31M2C2H680JV01L (GRM42-6 CH)	B
C7131	4030012480	S.CERAMIC GRM31M2C2H121JV01L (GRM42-6 CH)	B
C7132	4030012480	S.CERAMIC GRM31M2C2H121JV01L (GRM42-6 CH)	B
C7133	4030006880	S.CERAMIC C1608 JB 1H 472K-T	B
C7134	4030011120	S.CERAMIC GRM31M2C2H100JV01L (GRM42-6 CH)	B
C7181	4030008680	S.CERAMIC C2012 JF 1C 105Z-T	B
C7182	4030006880	S.CERAMIC C1608 JB 1H 472K-T	B
C7183	4030014460	S.CERAMIC GRM31M2C2H820JV01L (GRM42-6 CH)	B
C7184	4030014460	S.CERAMIC GRM31M2C2H820JV01L (GRM42-6 CH)	B
C7185	4030011730	S.CERAMIC GRM31M2C2H101JV01L (GRM42-6 CH)	B
C7186	4030011550	S.CERAMIC GRM31M2C2H680JV01L (GRM42-6 CH)	B
C7187	4030011730	S.CERAMIC GRM31M2C2H101JV01L (GRM42-6 CH)	B
C7188	4030011240	S.CERAMIC GRM31M2C2H470JV01L (GRM42-6 CH)	B
C7190	4030006880	S.CERAMIC C1608 JB 1H 472K-T	B
C7193	4030011550	S.CERAMIC GRM31M2C2H680JV01L (GRM42-6 CH)	B
C7194	4030011730	S.CERAMIC GRM31M2C2H101JV01L (GRM42-6 CH)	B
C7195	4030011730	S.CERAMIC GRM31M2C2H101JV01L (GRM42-6 CH)	B
C7196	4030011730	S.CERAMIC GRM31M2C2H101JV01L (GRM42-6 CH)	B
C7241	4030006880	S.CERAMIC C1608 JB 1H 472K-T	B
C7243	4030011730	S.CERAMIC GRM31M2C2H101JV01L (GRM42-6 CH)	B
C7244	4030011510	S.CERAMIC GRM31M2C2H560JV01L (GRM42-6 CH)	B
C7245	4030011550	S.CERAMIC GRM31M2C2H680JV01L (GRM42-6 CH)	B
C7247	4030011240	S.CERAMIC GRM31M2C2H470JV01L (GRM42-6 CH)	B
C7248	4030011210	S.CERAMIC GRM31M2C2H330JV01L (GRM42-6 CH)	B
C7250	4030006880	S.CERAMIC C1608 JB 1H 472K-T	B
C7253	4030011550	S.CERAMIC GRM31M2C2H680JV01L (GRM42-6 CH)	B
C7271	4030011330	S.CERAMIC C1608 CH 1H 391J-T	T
C7272	4030011600	S.CERAMIC C1608 JB 1E 104K-T	T
C7273	4030011330	S.CERAMIC C1608 CH 1H 391J-T	T
C7274	4030011600	S.CERAMIC C1608 JB 1E 104K-T	T
C7275	4610002230	TRIMMER TZB4Z100DB10B00	T
C7277	4010005830	CERAMIC HM74SJ SL 151J 500V	T
C7278	4030007130	S.CERAMIC C1608 CH 1H 101J-T	T
C7279	4030007130	S.CERAMIC C1608 CH 1H 101J-T	T
C7301	4030006880	S.CERAMIC C1608 JB 1H 472K-T	B
C7302	4030006880	S.CERAMIC C1608 JB 1H 472K-T	B
C7303	4030006880	S.CERAMIC C1608 JB 1H 472K-T	B
C7304	4030006880	S.CERAMIC C1608 JB 1H 472K-T	B
C7305	4030006880	S.CERAMIC C1608 JB 1H 472K-T	B
C7306	4030006880	S.CERAMIC C1608 JB 1H 472K-T	B
C7321	4030011730	S.CERAMIC GRM31M2C2H101JV01L (GRM42-6 CH)	B
C7322	4030011170	S.CERAMIC GRM31M2C2H180JV01L (GRM42-6 CH)	B
C7323	4030011730	S.CERAMIC GRM31M2C2H101JV01L (GRM42-6 CH)	B
C7325	4030011790	S.CERAMIC GRM55RF52A684ZD01L (GRM44-1)	T
C7332	4030006880	S.CERAMIC C1608 JB 1H 472K-T	B
C7346	4030006880	S.CERAMIC C1608 JB 1H 472K-T	B
RL5081	6330001640	RELAY ATX209	T
RL7031	6330001800	RELAY MZ-9D-K	T
RL7032	6330001800	RELAY MZ-9D-K	T
RL7061	6330001800	RELAY MZ-9D-K	T
RL7062	6330001800	RELAY MZ-9D-K	T
RL7091	6330001800	RELAY MZ-9D-K	T
RL7092	6330001800	RELAY MZ-9D-K	T
RL7121	6330001800	RELAY MZ-9D-K	T
RL7122	6330001800	RELAY MZ-9D-K	T
RL7181	6330001800	RELAY MZ-9D-K	T
RL7182	6330001800	RELAY MZ-9D-K	T
RL7241	6330001800	RELAY MZ-9D-K	T
RL7242	6330001800	RELAY MZ-9D-K	T
RL7301	6330000780	RELAY AGP 2013 (DSP1-DC12V)	T
J5001	6510023090	S.CONNECTOR 20FLT-SM1-TB	T
J5041	6510023750	CONNECTOR 01K1971-10	T
J5051	6510023120	CONNECTOR CD6109SA1J0 <CVI>	T
J5081	6510023120	CONNECTOR CD6109SA1J0 <CVI>	T
J5091	6510023750	CONNECTOR 01K1971-10	T
J7311	6510007020	CONNECTOR TMP-J01X-V6	T
J7331	6510021720	S.CONNECTOR 30FLT-SM1-TB	T
W5201	8970024360	1.5 (d) coaxial cable 190 mm	T
W5601	8970024370	1.5 (d) coaxial cable 140 mm	T
W7001	8970024380	1.5 (d) coaxial cable 135 mm	T
W7321	8970024390	1.5 (d) coaxial cable 300 mm	T
EP5001	0910057213	PCB B 6056C	

M.=Mounted side (T: Mounted on the Top side, B: Mounted on the Bottom side)

[PA UNIT]

REF NO.	ORDER NO.	DESCRIPTION	M.
IC6501	1110002700	S.IC NJM2904M-TE1	T
IC6601	1180001250	S.IC TA7808F (TE16L)	T
Q6101	1560001240	S.FET RD01MUS1	T
Q6401	1590003140	TRANSISTOR SD1405	T
Q6402	1590003140	TRANSISTOR SD1405	T
Q6403	1540000500	TRANSISTOR 2SD1585K	T
Q6501	1540000550	S.TRANSISTOR 2SD1664 T100Q	T
Q6601	1510001040	S.TRANSISTOR 2SA1037AKT146S	T
Q6602	1590000680	S.TRANSISTOR DTC114EUA T106	T
Q6701	1590000680	S.TRANSISTOR DTC114EUA T106	T
Q6702	1520000650	S.TRANSISTOR 2SB1201-S-TL	T
Q6703	1540000470	S.TRANSISTOR 2SD1801S-TL	T
Q6704	1540000470	S.TRANSISTOR 2SD1801S-TL	T
Q6705	1540000470	S.TRANSISTOR 2SD1801S-TL	T
Q6706	1540000470	S.TRANSISTOR 2SD1801S-TL	T
Q6801	1590003050	S.FET PD55003 SΩ $\sqrt{\text{0}}\Pi$	T
D6601	1750001060	S.DIODE MBRB4030T4	T
D6602	1730000520	ZENER RD20E B2	T
D6606	1790001670	S.DIODE RB706F-40T106	T
D6701	1160000140	S.DIODE DAP222 TL	T
D6702	1730000480	S.ZENER RD10M-T2B3	T
D6703	1790001250	S.DIODE MA2S111-(TX)	T
D6704	1790000680	S.DIODE SB20-03P-TD	T
D6705	1790000680	S.DIODE SB20-03P-TD	T
D6706	1790000680	S.DIODE SB20-03P-TD	T
D6707	1790000680	S.DIODE SB20-03P-TD	T
L6101	6200003840	S.COIL MLF2012D R22K-T	T
L6102	6180000990	COIL LAL 04NA 101K	T
L6202	6140002220	COIL LR-270 (TR6X3X2 3A9)	T
L6204	2040000490	COIL EXC-ELDR25C	T
L6301	6140003720	COIL LR-416 <KN>	T
L6303	2040000490	COIL EXC-ELDR25C	T
L6401	2040000490	COIL EXC-ELDR25C	T
L6402	2040000490	COIL EXC-ELDR25C	T
L6403	2040000490	COIL EXC-ELDR25C	T
L6404	6140003590	COIL LR-400	T
L6405	6140003950	COIL LR-438 <KN>	T
L6406	6140002030	COIL LR-230 (SK-10M-15Y 120)	T
L6407	2040000490	COIL EXC-ELDR25C	T
L6408	6110001740	COIL LA-263	T
L6501	6200003260	S.COIL NL 322522T-101J	T
L6701	6200003590	S.COIL EXCCCL3225U1	T
L6702	6200002040	S.COIL NL 252018T-101J	T
L6703	6200003260	S.COIL NL 322522T-101J	T
L6704	6200003260	S.COIL NL 322522T-101J	T
L6705	6200008820	S.COIL HF70ACC 635050-T	T
L6706	6200008820	S.COIL HF70ACC 635050-T	T
L6707	2040000490	COIL EXC-ELDR25C	T
L6708	2040000490	COIL EXC-ELDR25C	T
L6709	6200003260	S.COIL NL 322522T-101J	T
L6710	6200003260	S.COIL NL 322522T-101J	T
L6711	2040000490	COIL EXC-ELDR25C	T
L6712	2040000490	COIL EXC-ELDR25C	T
R6101	7030003230	S.RESISTOR ERJ3GEYJ 180 V (18 Ω)	T
R6102	7030003370	S.RESISTOR ERJ3GEYJ 271 V (270 Ω)	T
R6103	7030003370	S.RESISTOR ERJ3GEYJ 271 V (270 Ω)	T
R6104	7030003300	S.RESISTOR ERJ3GEYJ 680 V (68 Ω)	T
R6105	7030003480	S.RESISTOR ERJ3GEYJ 222 V (2.2 kΩ)	T
R6106	7030003520	S.RESISTOR ERJ3GEYJ 472 V (4.7 kΩ)	T
R6107	7030003370	S.RESISTOR ERJ3GEYJ 271 V (270 Ω)	T
R6109	7030003400	S.RESISTOR ERJ3GEYJ 471 V (470 Ω)	T
R6110	7030000210	S.RESISTOR MCR10EZJH 39 Ω (390)	T
R6111	7030000210	S.RESISTOR MCR10EZJH 39 Ω (390)	T
R6112	7030000210	S.RESISTOR MCR10EZJH 39 Ω (390)	T
R6114	7030003860	S.RESISTOR ERJ3GE JPW V	T
R6201	7030000250	S.RESISTOR MCR10EZJH 82 Ω (820)	T
R6202	7030003510	S.RESISTOR ERJ3GEYJ 392 V (3.9 kΩ)	T
R6203	7030003520	S.RESISTOR ERJ3GEYJ 472 V (4.7 kΩ)	T
R6204	7030011130	S.RESISTOR ERJ1TYJ 1R0U (1 Ω)	T
R6206	7030000340	S.RESISTOR MCR10EZJH 470 Ω (471)	T
R6207	7030011130	S.RESISTOR ERJ1TYJ 1R0U (1 Ω)	T
R6301	7030000260	S.RESISTOR MCR10EZJH 100 Ω (101)	T
R6302	7030003480	S.RESISTOR ERJ3GEYJ 222 V (2.2 kΩ)	T
R6303	7030003450	S.RESISTOR ERJ3GEYJ 122 V (1.2 kΩ)	T
R6304	7310004730	TRIMMER EVM-2AGA00 B33 (302)	T
R6401	7030010260	S.RESISTOR ERJ1TYJ 3R3 U	T
R6402	7030010260	S.RESISTOR ERJ1TYJ 3R3 U	T
R6403	7030010260	S.RESISTOR ERJ1TYJ 3R3 U	T
R6404	7030010260	S.RESISTOR ERJ1TYJ 3R3 U	T
R6405	7030010260	S.RESISTOR ERJ1TYJ 3R3 U	T

S.=Surface mount

[PA UNIT]

REF NO.	ORDER NO.	DESCRIPTION	M.
R6406	7030010260	S.RESISTOR ERJ1TYJ 3R3 U	T
R6407	7030001010	S.RESISTOR MCR50JZHJ 10 Ω (100)	T
R6408	7030001010	S.RESISTOR MCR50JZHJ 10 Ω (100)	T
R6409	7070001180	RESISTOR ERX2SJ 2R7 (2.7 Ω)	T
R6410	7070001180	RESISTOR ERX2SJ 2R7 (2.7 Ω)	T
R6411	7070000521	RESISTOR ERX3SJ 2R7 (2.7 Ω)	T
R6412	7310004710	TRIMMER EVM-2AGA00 B23 (202)	T
R6413	7030000300	S.RESISTOR MCR10EZHZ 220 Ω (221)	T
R6415	7070001030	RESISTOR ERG5SJ 470	T
R6502	7030005981	S.RESISTOR ERA3YED 333V	T
R6503	7030005981	S.RESISTOR ERA3YED 333V	T
R6504	7030005971	S.RESISTOR ERA3YKD 683V (68 kΩ)	T
R6505	7030005971	S.RESISTOR ERA3YKD 683V (68 kΩ)	T
R6507	7030003840	S.RESISTOR ERJ3GEYJ 225 V (2.2 MΩ)	T
R6509	7030003420	S.RESISTOR ERJ3GEYJ 681 V (680 Ω)	T
R6510	7030003440	S.RESISTOR ERJ3GEYJ 102 V (1 kΩ)	T
R6512	7030003680	S.RESISTOR ERJ3GEYJ 104 V (100 kΩ)	T
R6513	7030003740	S.RESISTOR ERJ3GEYJ 334 V (330 kΩ)	T
R6514	7030003680	S.RESISTOR ERJ3GEYJ 104 V (100 kΩ)	T
R6515	7030003520	S.RESISTOR ERJ3GEYJ 472 V (4.7 kΩ)	T
R6516	7310004680	TRIMMER EVM-2AGA00 B14 (103)	T
R6517	7030003440	S.RESISTOR ERJ3GEYJ 102 V (1 kΩ)	T
R6518	7030003680	S.RESISTOR ERJ3GEYJ 104 V (100 kΩ)	T
R6519	7030003440	S.RESISTOR ERJ3GEYJ 102 V (1 kΩ)	T
R6602	7030003520	S.RESISTOR ERJ3GEYJ 472 V (4.7 kΩ)	T
R6603	7030003520	S.RESISTOR ERJ3GEYJ 472 V (4.7 kΩ)	T
R6604	7030003560	S.RESISTOR ERJ3GEYJ 103 V (10 kΩ)	T
R6651	7100000810	S.RESISTOR ERX5WQK 12MH	T
R6652	7100000810	S.RESISTOR ERX5WQK 12MH	T
R6701	7030010540	S.RESISTOR ERJ1TYJ 330U (33 Ω)	T
R6702	7030003420	S.RESISTOR ERJ3GEYJ 681 V (680 Ω)	T
R6704	7030003400	S.RESISTOR ERJ3GEYJ 471 V (470 Ω)	T
R6705	7510001550	S.THERMISTOR NTCG16 4LH 333KT	T
R6706	7030010540	S.RESISTOR ERJ1TYJ 330U (33 Ω)	T
R6707	7030010540	S.RESISTOR ERJ1TYJ 330U (33 Ω)	T
R6801	7030003370	S.RESISTOR ERJ3GEYJ 271 V (270 Ω)	T
R6802	7030004050	S.RESISTOR ERJ3GEYJ 1R0 V (1 Ω)	T
C6101	4030007120	S.CERAMIC C1608 CH 1H 820J-T	T
C6102	4030007120	S.CERAMIC C1608 CH 1H 820J-T	T
C6103	4030011600	S.CERAMIC C1608 JB 1E 104K-T	T
C6104	4030011600	S.CERAMIC C1608 JB 1E 104K-T	T
C6105	4030011600	S.CERAMIC C1608 JB 1E 104K-T	T
C6106	4030011600	S.CERAMIC C1608 JB 1E 104K-T	T
C6108	4030011600	S.CERAMIC C1608 JB 1E 104K-T	T
C6109	4030005110	S.CERAMIC C2012 JB 1E 473K-T	T
C6201	4030011600	S.CERAMIC C1608 JB 1E 104K-T	T
C6202	4030011600	S.CERAMIC C1608 JB 1E 104K-T	T
C6203	4030004750	S.CERAMIC C2012 JB 1H 103K-T	T
C6205	4030008700	S.CERAMIC GRM21B11H473KA01L (GRM40 B)	T
C6206	4030008700	S.CERAMIC GRM21B11H473KA01L (GRM40 B)	T
C6207	4030008930	S.CERAMIC C2012 JB 1C 563K-T	T
C6301	4030008960	S.CERAMIC C2012 JB 1C 104K-T	T
C6302	4030011600	S.CERAMIC C1608 JB 1E 104K-T	T
C6303	4510004590	ELECTROLYTIC 16 MV 470 HC	T
C6305	4030011600	S.CERAMIC C1608 JB 1E 104K-T	T
C6306	4510004600	ELECTROLYTIC 16 MV 1000 HC	T
C6307	4320000811	DIP MICA KD20C 681J5A	T
C6308	4030011790	S.CERAMIC GRM55RF52A684ZD01L (GRM44-1)	T
C6401	4030011760	S.CERAMIC GRM55R1X2D682JV01L (GRM44-1)	T
C6403	4030011760	S.CERAMIC GRM55R1X2D682JV01L (GRM44-1)	T
C6409	4030018370	S.CERAMIC ERF22X 6C1H 102J D01L	T
C6412	4510004600	ELECTROLYTIC 16 MV 1000 HC	T
C6413	4510004600	ELECTROLYTIC 16 MV 1000 HC	T
C6414	4030004740	S.CERAMIC C2012 JB 1H 472K-T	T
C6415	4030011790	S.CERAMIC GRM55RF52A684ZD01L (GRM44-1)	T
C6416	4030008920	S.CERAMIC C1608 JB 1H 473K-T	T
C6417	4510004600	ELECTROLYTIC 16 MV 1000 HC	T
C6418	4030006880	S.CERAMIC C1608 JB 1H 472K-T	T
C6419	4030006880	S.CERAMIC C1608 JB 1H 472K-T	T
C6424	4030017200	S.CERAMIC GRM31BR32J102KY01L (GHM1030 R)	T
C6425	4320000710	DIP MICA DM19C681J5	T
C6427	4030011600	S.CERAMIC C1608 JB 1E 104K-T	T
C6428	4030011600	S.CERAMIC C1608 JB 1E 104K-T	T
C6429	4030017200	S.CERAMIC GRM31BR32J102KY01L (GHM1030 R)	T
C6432	4030011740	S.CERAMIC GRM32N2C2H201JV01L (GRM42-2 CH)	T
C6433	4030011740	S.CERAMIC GRM32N2C2H201JV01L (GRM42-2 CH)	T
C6436	4010006410	CERAMIC HM13SJ SL 471J 500V	T
C6437	4320000790	DIP MICA DM20C102J5	T
C6439	4010005930	CERAMIC HM11SJ SL 391J 500V	T
C6501	4030007130	S.CERAMIC C1608 CH 1H 101J-T	T
C6503	4030011600	S.CERAMIC C1608 JB 1E 104K-T	T
C6506	4030011600	S.CERAMIC C1608 JB 1E 104K-T	T
C6507	4510004590	ELECTROLYTIC 16 MV 470 HC	T
C6602	4030006880	S.CERAMIC C1608 JB 1H 472K-T	T
C6603	4510004590	ELECTROLYTIC 16 MV 470 HC	T
C6604	4510006230	S.ELECTROLYTIC ECEV1EA470UP	T

M.=Mounted side (T: Mounted on the Top side, B: Mounted on the Bottom side)

[PA UNIT]

REF NO.	ORDER NO.	DESCRIPTION	M.
C6605	4030011600	S.CERAMIC C1608 JB 1E 104K-T	T
C6606	4030011600	S.CERAMIC C1608 JB 1E 104K-T	T
C6607	4510006230	S.ELECTROLYTIC ECEV1EA470UP	T
C6608	4030008700	S.CERAMIC GRM21B11H473KA01L (GRM40 B)	T
C6609	4510006020	ELECTROLYTIC 16 MV 2200 HC	T
C6610	4030017320	S.CERAMIC GRM21B11H104KA11L (GRM40-034)	T
C6611	4030004740	S.CERAMIC C2012 JB 1H 472K-T	T
C6612	4030004720	S.CERAMIC C2012 JB 1H 102K-T	T
C6701	4030008920	S.CERAMIC C1608 JB 1H 473K-T	T
C6702	4030008920	S.CERAMIC C1608 JB 1H 473K-T	T
C6703	4030008920	S.CERAMIC C1608 JB 1H 473K-T	T
C6704	4030006880	S.CERAMIC C1608 JB 1H 472K-T	T
C6705	4030006880	S.CERAMIC C1608 JB 1H 472K-T	T
C6706	4030006880	S.CERAMIC C1608 JB 1H 472K-T	T
C6707	4030006880	S.CERAMIC C1608 JB 1H 472K-T	T
C6708	4030006880	S.CERAMIC C1608 JB 1H 472K-T	T
C6709	4030006880	S.CERAMIC C1608 JB 1H 472K-T	T
C6710	4030006880	S.CERAMIC C1608 JB 1H 472K-T	T
C6711	4030006880	S.CERAMIC C1608 JB 1H 472K-T	T
C6712	4030006880	S.CERAMIC C1608 JB 1H 472K-T	T
C6713	4030006880	S.CERAMIC C1608 JB 1H 472K-T	T
C6714	4030006880	S.CERAMIC C1608 JB 1H 472K-T	T
C6715	4030008920	S.CERAMIC C1608 JB 1H 473K-T	T
C6716	4030011600	S.CERAMIC C1608 JB 1E 104K-T	T
C6717	4030011600	S.CERAMIC C1608 JB 1E 104K-T	T
C6801	4030011600	S.CERAMIC C1608 JB 1E 104K-T	T
RL6701	6330001550	RELAY JV-12-KT	T
J6301	6510021530	CONNECTOR IMSA-9230B-1-04Z024-T	T
J6302	6510021530	CONNECTOR IMSA-9230B-1-04Z024-T	T
J6401	6510007020	CONNECTOR TMP-J01X-V6	T
J6411	6510021390	CONNECTOR IMSA-9230B-1-03Z024-T	T
J6412	6510021390	CONNECTOR IMSA-9230B-1-03Z024-T	T
J6501	6510018960	S.CONNECTOR B2B-PH-SM3-TB	T
J6701	6510021720	S.CONNECTOR 30FLT-SM1-TB	T
J6702	6510007020	CONNECTOR TMP-J01X-V6	T
J6703	6510003460	CONNECTOR B10B-EH-S	T
F6701	5210000060	FUSE FGB 5A (FGB0 125V)	T
F6702	5220000230	HOLDER S-N5054 #01	T
F6703	5220000230	HOLDER S-N5054 #01	T
W6601	9040401015	WIRE 74/98/045/X98/X98	T
EP6601	6910000630	BEAD FSRH070140RN000B (FSOH070RN)	T
EP6602	6510018330	TERMINAL F4053A	T
EP6603	6510018330	TERMINAL F4053A	T
EP6604	0910057223	PCB B 6070C	T
EP6605	6910016010	TUBE SUMI TUBE	T

[DSP UNIT]

REF NO.	ORDER NO.	DESCRIPTION	M.
IC9001	1130010540	S.IC SN74AHC74PWR	T
IC9003	1130010540	S.IC SN74AHC74PWR	B
IC9004	1130010540	S.IC SN74AHC74PWR	B
IC9005	1130011150	S.IC SN74AHC2G08HDCTR	T
IC9015	1130011840	S.IC TC7SZU04FU (TE85L)	T
IC9051	1130011850	S.IC TC7WZU04FU (TE12L)	T
IC9101	1130010520	S.IC SN74AHC244APWR	T
IC9102	1110004770	S.IC BU9480F-E2	B
IC9152	1180002320	S.REG TK11218CMCL	T
IC9161	1180002020	S.REG BA033FP-E2	B
IC9171	1180002270	S.REG TK11250CMCL	T
IC9201	1130010680	S.IC M29W102BB-70N1	B
IC9202	1130008040	S.IC TC7SH04FU	B
IC9203	1130008810	S.IC TC7SH32FU (TE85L)	B
IC9301	1140010330	S.IC TMS320VC33PGEA120	T
IC9401	1130010550	S.IC SN74AHC595PWR	T
IC9403	1130010530	S.IC SN74AHC374PWR	B
IC9404	1130010530	S.IC SN74AHC374PWR	B
IC9405	1130004670	S.IC BU4021BF-T1	B
IC9406	1130010540	S.IC SN74AHC74PWR	T
IC9501	1190001610	S.IC AK4528-VF-E2	T
IC9651	1110005420	S.IC BA15532F-E2	B

S.=Surface mount

[DSP BOARD]

REF NO.	ORDER NO.	DESCRIPTION	M.
IC9701	1110001900	S.IC μPC4570G2-T1	B
IC9801	1130010560	S.IC SN74AHC244PWR	B
Q9021	1530002060	S.TRANSISTOR 2SC4081 T106 R	B
Q9201	1590001660	S.TRANSISTOR XP4312 (TX)	B
Q9301	1590000430	S.TRANSISTOR DTC144EUA T106	T
Q9302	1590000430	S.TRANSISTOR DTC144EUA T106	T
D9301	1750000370	S.DIODE DA221 TL	T
D9302	1750000370	S.DIODE DA221 TL	T
D9303	1750000370	S.DIODE DA221 TL	T
D9304	1750000370	S.DIODE DA221 TL	B
D9305	1790000810	S.DIODE MA132A (TX)	T
D9501	1750000370	S.DIODE DA221 TL	B
D9901	1790000660	S.DIODE MA728 (TX)	T
X9051	6050011270	S.XTAL CR-709 (60.000 MHz)	T
L9001	6200003280	S.COIL NL 252018T-2R2J	T
L9002	6200003280	S.COIL NL 252018T-2R2J	B
L9003	6200003280	S.COIL NL 252018T-2R2J	B
L9005	6200003280	S.COIL NL 252018T-2R2J	T
L9015	6200003280	S.COIL NL 252018T-2R2J	T
L9051	6200003280	S.COIL NL 252018T-2R2J	T
L9052	6200001980	S.COIL NL 252018T-1R0J	T
L9101	6200003280	S.COIL NL 252018T-2R2J	T
L9102	6200003280	S.COIL NL 252018T-2R2J	T
L9301	6200003280	S.COIL NL 252018T-2R2J	B
L9302	6200009840	S.COIL LQH32CN2R2M21L (LQH 3C 2R2M 34)	B
L9401	6200003280	S.COIL NL 252018T-2R2J	T
L9403	6200003280	S.COIL NL 252018T-2R2J	B
L9404	6200003280	S.COIL NL 252018T-2R2J	B
L9405	6200003280	S.COIL NL 252018T-2R2J	B
L9406	6200003280	S.COIL NL 252018T-2R2J	T
L9501	6200003280	S.COIL NL 252018T-2R2J	T
L9502	6200003280	S.COIL NL 252018T-2R2J	T
L9651	6200002040	S.COIL NL 252018T-101J	T
L9701	6200002040	S.COIL NL 252018T-101J	T
L9801	6200003280	S.COIL NL 252018T-2R2J	B
R9001	7030008240	S.RESISTOR ERJ12YJ0R00U	B
R9002	7030003320	S.RESISTOR ERJ3GEYJ 101 V (100 Ω)	T
R9003	7030003320	S.RESISTOR ERJ3GEYJ 101 V (100 Ω)	B
R9015	7030003800	S.RESISTOR ERJ3GEYJ 105 V (1 MΩ)	T
R9016	7030003860	S.RESISTOR ERJ3GE JPW V	T
R9021	7030003320	S.RESISTOR ERJ3GEYJ 101 V (100 Ω)	T
R9022	7030003760	S.RESISTOR ERJ3GEYJ 474 V (470 kΩ)	B
R9023	7030003440	S.RESISTOR ERJ3GEYJ 102 V (1 kΩ)	B
R9051	7030003800	S.RESISTOR ERJ3GEYJ 105 V (1 MΩ)	T
R9052	7030003320	S.RESISTOR ERJ3GEYJ 101 V (100 Ω)	T
R9151	7030007240	S.RESISTOR ERJ12YJ680U (68 Ω)	T
R9161	7030008190	S.RESISTOR ERJ12YJ330U (33 Ω)	T
R9162	7030007510	S.RESISTOR ERJ12YJ270U (27 Ω)	T
R9171	7030007180	S.RESISTOR ERJ12YJ150U (15 Ω)	T
R9201	7030003640	S.RESISTOR ERJ3GEYJ 473 V (47 kΩ)	B
R9202	7030003860	S.RESISTOR ERJ3GE JPW V	B
R9203	7030003860	S.RESISTOR ERJ3GE JPW V	B
R9204	7030003860	S.RESISTOR ERJ3GE JPW V	B
R9303	7030003480	S.RESISTOR ERJ3GEYJ 222 V (2.2 kΩ)	B
R9304	7030003480	S.RESISTOR ERJ3GEYJ 222 V (2.2 kΩ)	B
R9305	7030003560	S.RESISTOR ERJ3GEYJ 103 V (10 kΩ)	B
R9306	7030003560	S.RESISTOR ERJ3GEYJ 103 V (10 kΩ)	B
R9307	7030003560	S.RESISTOR ERJ3GEYJ 103 V (10 kΩ)	B
R9308	7030003560	S.RESISTOR ERJ3GEYJ 103 V (10 kΩ)	B
R9309	7030003560	S.RESISTOR ERJ3GEYJ 103 V (10 kΩ)	B
R9310	7030003560	S.RESISTOR ERJ3GEYJ 103 V (10 kΩ)	B
R9311	7030003560	S.RESISTOR ERJ3GEYJ 103 V (10 kΩ)	B
R9312	7030003560	S.RESISTOR ERJ3GEYJ 103 V (10 kΩ)	B
R9313	7030003560	S.RESISTOR ERJ3GEYJ 103 V (10 kΩ)	B
R9315	7030003860	S.RESISTOR ERJ3GE JPW V	B
R9317	7030003560	S.RESISTOR ERJ3GEYJ 103 V (10 kΩ)	T
R9318	7030003560	S.RESISTOR ERJ3GEYJ 103 V (10 kΩ)	T
R9320	7030003520	S.RESISTOR ERJ3GEYJ 472 V (4.7 kΩ)	B
R9321	7030003520	S.RESISTOR ERJ3GEYJ 472 V (4.7 kΩ)	B
R9322	7030003280	S.RESISTOR ERJ3GEYJ 470 V (47 Ω)	B
R9323	7030003560	S.RESISTOR ERJ3GEYJ 103 V (10 kΩ)	B
R9324	7030003560	S.RESISTOR ERJ3GEYJ 103 V (10 kΩ)	B
R9325	7030003560	S.RESISTOR ERJ3GEYJ 103 V (10 kΩ)	T
R9326	7030003560	S.RESISTOR ERJ3GEYJ 103 V (10 kΩ)	T
R9327	7030003560	S.RESISTOR ERJ3GEYJ 103 V (10 kΩ)	T
R9328	7030003560	S.RESISTOR ERJ3GEYJ 103 V (10 kΩ)	T
R9329	7030003440	S.RESISTOR ERJ3GEYJ 102 V (1 kΩ)	B
R9330	7030003440	S.RESISTOR ERJ3GEYJ 102 V (1 kΩ)	B

M.=Mounted side (T: Mounted on the Top side, B: Mounted on the Bottom side)

[DSP BOARD]

REF NO.	ORDER NO.	DESCRIPTION	M.
R9331	7030003440	S.RESISTOR ERJ3GEYJ 102 V (1 kΩ)	B
R9332	7030003440	S.RESISTOR ERJ3GEYJ 102 V (1 kΩ)	T
R9333	7030003860	S.RESISTOR ERJ3GE JPW V	B
R9334	7030003860	S.RESISTOR ERJ3GE JPW V	T
R9335	7030003860	S.RESISTOR ERJ3GE JPW V	B
R9336	7030003860	S.RESISTOR ERJ3GE JPW V	T
R9337	7030003860	S.RESISTOR ERJ3GE JPW V	B
R9338	7030003860	S.RESISTOR ERJ3GE JPW V	B
R9501	7030004040	S.RESISTOR ERJ3GEYJ 4R7 V (4.7 Ω)	T
R9601	7030006581	S.RESISTOR ERA3YED 122V	T
R9602	7030009591	S.RESISTOR ERA3YED 472V	T
R9603	7030007230	S.RESISTOR ERA3YED 102V	B
R9604	7030007230	S.RESISTOR ERA3YED 102V	T
R9651	7030010450	S.RESISTOR ERA3YED 391V	B
R9652	7030010450	S.RESISTOR ERA3YED 391V	B
R9653	7030007230	S.RESISTOR ERA3YED 102V	B
R9654	7030007230	S.RESISTOR ERA3YED 102V	B
R9655	7030009591	S.RESISTOR ERA3YED 472V	B
R9656	7030009591	S.RESISTOR ERA3YED 472V	T
R9657	7030009591	S.RESISTOR ERA3YED 472V	B
R9658	7030009591	S.RESISTOR ERA3YED 472V	B
R9659	7030005331	S.RESISTOR ERA3YED 562V	B
R9701	7030003520	S.RESISTOR ERJ3GEYJ 472 V (4.7 kΩ)	B
R9702	7030003520	S.RESISTOR ERJ3GEYJ 472 V (4.7 kΩ)	B
R9703	7030003500	S.RESISTOR ERJ3GEYJ 332 V (3.3 kΩ)	B
R9704	7030003540	S.RESISTOR ERJ3GEYJ 682 V (6.8 kΩ)	B
R9705	7030003500	S.RESISTOR ERJ3GEYJ 332 V (3.3 kΩ)	B
R9706	7030003540	S.RESISTOR ERJ3GEYJ 682 V (6.8 kΩ)	B
R9707	7030003440	S.RESISTOR ERJ3GEYJ 102 V (1 kΩ)	B
R9708	7030003440	S.RESISTOR ERJ3GEYJ 102 V (1 kΩ)	T
R9751	7030003520	S.RESISTOR ERJ3GEYJ 472 V (4.7 kΩ)	T
R9752	7030003520	S.RESISTOR ERJ3GEYJ 472 V (4.7 kΩ)	T
R9753	7030003500	S.RESISTOR ERJ3GEYJ 332 V (3.3 kΩ)	B
R9754	7030003540	S.RESISTOR ERJ3GEYJ 682 V (6.8 kΩ)	B
R9755	7030003500	S.RESISTOR ERJ3GEYJ 332 V (3.3 kΩ)	B
R9756	7030003540	S.RESISTOR ERJ3GEYJ 682 V (6.8 kΩ)	B
R9757	7030003440	S.RESISTOR ERJ3GEYJ 102 V (1 kΩ)	B
R9758	7030003440	S.RESISTOR ERJ3GEYJ 102 V (1 kΩ)	B
R9801	7030003680	S.RESISTOR ERJ3GEYJ 104 V (100 kΩ)	T
R9802	7030003680	S.RESISTOR ERJ3GEYJ 104 V (100 kΩ)	T
R9803	7030003680	S.RESISTOR ERJ3GEYJ 104 V (100 kΩ)	B
R9804	7030003680	S.RESISTOR ERJ3GEYJ 104 V (100 kΩ)	B
R9805	7030003680	S.RESISTOR ERJ3GEYJ 104 V (100 kΩ)	T
R9901	7030003560	S.RESISTOR ERJ3GEYJ 103 V (10 kΩ)	T
R9902	7030003560	S.RESISTOR ERJ3GEYJ 103 V (10 kΩ)	T
R9903	7030003560	S.RESISTOR ERJ3GEYJ 103 V (10 kΩ)	T
R9904	7030003560	S.RESISTOR ERJ3GEYJ 103 V (10 kΩ)	T
R9905	7030003560	S.RESISTOR ERJ3GEYJ 103 V (10 kΩ)	T
R9906	7030003560	S.RESISTOR ERJ3GEYJ 103 V (10 kΩ)	T
R9907	7030003860	S.RESISTOR ERJ3GE JPW V	T
R9908	7030008240	S.RESISTOR ERJ12YJ0R00U	T
C9001	4030006880	S.CERAMIC C1608 JB 1H 472K-T	T
C9004	4030006880	S.CERAMIC C1608 JB 1H 472K-T	B
C9005	4030006880	S.CERAMIC C1608 JB 1H 472K-T	T
C9007	4030011600	S.CERAMIC C1608 JB 1E 104K-T	B
C9015	4030006880	S.CERAMIC C1608 JB 1H 472K-T	T
C9016	4030006880	S.CERAMIC C1608 JB 1H 472K-T	T
C9021	4030006880	S.CERAMIC C1608 JB 1H 472K-T	B
C9022	4030006880	S.CERAMIC C1608 JB 1H 472K-T	T
C9051	4030006880	S.CERAMIC C1608 JB 1H 472K-T	T
C9052	4030006960	S.CERAMIC C1608 CH 1H 050C-T	T
C9053	4030006960	S.CERAMIC C1608 CH 1H 050C-T	T
C9054	4030007110	S.CERAMIC C1608 CH 1H 680J-T	T
C9101	4030011600	S.CERAMIC C1608 JB 1E 104K-T	T
C9102	4510004630	S.ELECTROLYTIC ECEV1CA100SR	T
C9103	4030011600	S.CERAMIC C1608 JB 1E 104K-T	B
C9104	4510004630	S.ELECTROLYTIC ECEV1CA100SR	T
C9154	4030011600	S.CERAMIC C1608 JB 1E 104K-T	T
C9155	4030011600	S.CERAMIC C1608 JB 1E 104K-T	T
C9156	4030011600	S.CERAMIC C1608 JB 1E 104K-T	T
C9157	4510004630	S.ELECTROLYTIC ECEV1CA100SR	T
C9158	4550006210	S.TANTALUM ECST1CX106R	T
C9161	4550006620	S.TANTALUM ECST0YJ226R	T
C9162	4030011600	S.CERAMIC C1608 JB 1E 104K-T	B
C9163	4030011600	S.CERAMIC C1608 JB 1E 104K-T	B
C9164	4510004630	S.ELECTROLYTIC ECEV1CA100SR	T
C9171	4030011600	S.CERAMIC C1608 JB 1E 104K-T	T
C9172	4030011600	S.CERAMIC C1608 JB 1E 104K-T	T
C9173	4030011600	S.CERAMIC C1608 JB 1E 104K-T	T
C9174	4510004630	S.ELECTROLYTIC ECEV1CA100SR	T
C9175	4510004630	S.ELECTROLYTIC ECEV1CA100SR	T
C9201	4030011600	S.CERAMIC C1608 JB 1E 104K-T	B
C9202	4030011600	S.CERAMIC C1608 JB 1E 104K-T	B
C9203	4030011600	S.CERAMIC C1608 JB 1E 104K-T	B
C9301	4030006880	S.CERAMIC C1608 JB 1H 472K-T	T
C9302	4030006880	S.CERAMIC C1608 JB 1H 472K-T	T

S.=Surface mount

[DSP BOARD]

REF NO.	ORDER NO.	DESCRIPTION		M.
C9303	4030011600	S.CERAMIC	C1608 JB 1E 104K-T	T
C9304	4030006880	S.CERAMIC	C1608 JB 1H 472K-T	T
C9305	4030011600	S.CERAMIC	C1608 JB 1E 104K-T	T
C9306	4030011600	S.CERAMIC	C1608 JB 1E 104K-T	T
C9307	4030011600	S.CERAMIC	C1608 JB 1E 104K-T	T
C9308	4030011600	S.CERAMIC	C1608 JB 1E 104K-T	T
C9309	4030006880	S.CERAMIC	C1608 JB 1H 472K-T	T
C9311	4030006880	S.CERAMIC	C1608 JB 1H 472K-T	T
C9312	4030011600	S.CERAMIC	C1608 JB 1E 104K-T	T
C9313	4030011600	S.CERAMIC	C1608 JB 1E 104K-T	T
C9314	4030006880	S.CERAMIC	C1608 JB 1H 472K-T	T
C9315	4030011600	S.CERAMIC	C1608 JB 1E 104K-T	T
C9316	4030006880	S.CERAMIC	C1608 JB 1H 472K-T	T
C9317	4030011600	S.CERAMIC	C1608 JB 1E 104K-T	T
C9318	4030006880	S.CERAMIC	C1608 JB 1H 472K-T	T
C9319	4030006880	S.CERAMIC	C1608 JB 1H 472K-T	T
C9320	4030011600	S.CERAMIC	C1608 JB 1E 104K-T	T
C9321	4030011600	S.CERAMIC	C1608 JB 1E 104K-T	T
C9322	4030006880	S.CERAMIC	C1608 JB 1H 472K-T	T
C9323	4030011600	S.CERAMIC	C1608 JB 1E 104K-T	T
C9324	4030006880	S.CERAMIC	C1608 JB 1H 472K-T	T
C9325	4030006880	S.CERAMIC	C1608 JB 1H 472K-T	T
C9401	4030006880	S.CERAMIC	C1608 JB 1H 472K-T	T
C9403	4030006880	S.CERAMIC	C1608 JB 1H 472K-T	B
C9404	4030006880	S.CERAMIC	C1608 JB 1H 472K-T	B
C9405	4030006880	S.CERAMIC	C1608 JB 1H 472K-T	B
C9406	4030006880	S.CERAMIC	C1608 JB 1H 472K-T	T
C9407	4030006860	S.CERAMIC	C1608 JB 1H 102K-T	B
C9408	4030006860	S.CERAMIC	C1608 JB 1H 102K-T	B
C9504	4510005860	S.ELECTROLYTIC	ECEV1HA2R2SR	T
C9505	4030011600	S.CERAMIC	C1608 JB 1E 104K-T	T
C9506	4550006620	S.TANTALUM	ECST0JY226R	T
C9507	4030011600	S.CERAMIC	C1608 JB 1E 104K-T	T
C9508	4030011600	S.CERAMIC	C1608 JB 1E 104K-T	T
C9509	4030011600	S.CERAMIC	C1608 JB 1E 104K-T	T
C9510	4550006620	S.TANTALUM	ECST0JY226R	T
C9511	4030007050	S.CERAMIC	C1608 CH 1H 220J-T	B
C9601	4510004630	S.ELECTROLYTIC	ECEV1CA100SR	T
C9602	4030009980	S.CERAMIC	C1608 JB 1H 152K-T	B
C9604	4510004630	S.ELECTROLYTIC	ECEV1CA100SR	T
C9605	4030011600	S.CERAMIC	C1608 JB 1E 104K-T	B
C9651	4030009980	S.CERAMIC	C1608 JB 1H 152K-T	B
C9652	4030011600	S.CERAMIC	C1608 JB 1E 104K-T	B
C9653	4510004630	S.ELECTROLYTIC	ECEV1CA100SR	T
C9654	4030011600	S.CERAMIC	C1608 JB 1E 104K-T	B
C9655	4510005830	S.ELECTROLYTIC	ECEV1HAN010R	T
C9701	4030011280	S.CERAMIC	C1608 CH 1H 271J-T	B
C9702	4030007130	S.CERAMIC	C1608 CH 1H 101J-T	B
C9703	4030011600	S.CERAMIC	C1608 JB 1E 104K-T	B
C9704	4510004630	S.ELECTROLYTIC	ECEV1CA100SR	T
C9705	4030007130	S.CERAMIC	C1608 CH 1H 101J-T	B
C9706	4030011600	S.CERAMIC	C1608 JB 1E 104K-T	B
C9707	4510006220	S.ELECTROLYTIC	ECEV1CA101UP	T
C9708	4510004630	S.ELECTROLYTIC	ECEV1CA100SR	T
C9751	4030011280	S.CERAMIC	C1608 CH 1H 271J-T	T
C9752	4030007130	S.CERAMIC	C1608 CH 1H 101J-T	B
C9755	4030007130	S.CERAMIC	C1608 CH 1H 101J-T	B
C9756	4030011600	S.CERAMIC	C1608 JB 1E 104K-T	B
C9757	4510006220	S.ELECTROLYTIC	ECEV1CA101UP	T
C9758	4510004630	S.ELECTROLYTIC	ECEV1CA100SR	T
C9801	4030006880	S.CERAMIC	C1608 JB 1H 472K-T	B
C9802	4030006860	S.CERAMIC	C1608 JB 1H 102K-T	T
C9901	4030006860	S.CERAMIC	C1608 JB 1H 102K-T	B
J9901	6910013900	CONNECTOR	IMSA-9180S-22A	B
J9902	6910012460	CONNECTOR	IMSA-9180S-30A	B
EP9101	0910057252	PCB	B 6027B	

[DRIVER BOARD]

REF NO.	ORDER NO.	DESCRIPTION		M.
Q6851	1590003060	S.FET	PD55015	T
R6851	7030010440	S.RESISTOR	ERJ1TYJ 680U (68 Ω)	T
R6852	7030000020	S.RESISTOR	MCR10EZJH 1 Ω (010)	T
C6851	4030004750	S.CERAMIC	C2012 JB 1H 103K-T	T
EP6851	0910054751	PCB	B 5744A	

[VARISTOR-1 BOARD]

REF NO.	ORDER NO.	DESCRIPTION		M.
D6431	1790001760	S.VARISTOR	MA30-(TX)	T
C6431	4030008920	S.CERAMIC	C1608 JB 1H 473K-T	T
EP6431	0910057231	PCB	B 5746A	

[VARISTOR-2 BOARD]

REF NO.	ORDER NO.	DESCRIPTION		M.
D6432	1790001760	S.VARISTOR	MA30-(TX)	T
C6432	4030008920	S.CERAMIC	C1608 JB 1H 473K-T	T
EP6432	0910057241	PCB	B 5747A	

M.=Mounted side (T: Mounted on the Top side, B: Mounted on the Bottom side)

S.=Surface mount

6-2 RC-26

[FRONT UNIT]

REF NO.	ORDER NO.	DESCRIPTION	M.
W8001	8900009230	CABLE OPC-908 (P=1 N=10 L=60)	
W8002	8900012650	CABLE OPC-1272 TYX4003-210100	
W8005	8900008860	CABLE OPC-875 (N:20 L:70)	

[DISPLAY BOARD]

REF NO.	ORDER NO.	DESCRIPTION	M.
IC8201	1140011600	S.IC HD64F2134AFA20 (EX-2621A)	B
IC8202	1110005770	S.IC S-80942CNMC-G9C-T2	B
IC8205	1130009700	S.IC LC73872M-TRM	B
IC8250	1130005720	S.IC TC7W04F (TE12L)	B
IC8280	1110005450	S.IC TS522IDT	B
IC8290	1180001070	S.IC TA7805F (TE16L)	B
IC8301	1110002510	S.IC AN8009M-(E1)	B
IC8310	1180001540	S.IC TA78L08F (TE12R)	B
Q8251	1590001650	S.TRANSISTOR XP4601 (TX)	B
Q8281	1530002850	S.TRANSISTOR 2SC4116-BL (TE85R)	B
Q8282	1590000680	S.TRANSISTOR DTC114EUA T106	B
Q8300	1540000440	S.TRANSISTOR 2SD1619-T-TD	B
Q8301	1540000440	S.TRANSISTOR 2SD1619-T-TD	B
Q8302	1590000680	S.TRANSISTOR DTC114EUA T106	B
Q8303	1540000440	S.TRANSISTOR 2SD1619-T-TD	B
Q8311	1590001330	S.TRANSISTOR DTA114EUA T106	B
Q8312	1590000680	S.TRANSISTOR DTC114EUA T106	B
Q8701	1590000680	S.TRANSISTOR DTC114EUA T106	B
D8201	1750000370	S.DIODE DA221 TL	B
D8203	1750000370	S.DIODE DA221 TL	B
D8204	1750000550	S.DIODE 1SS355 TE-17	B
D8221	1750000550	S.DIODE 1SS355 TE-17	B
D8250	1750000550	S.DIODE 1SS355 TE-17	B
D8280	1750000370	S.DIODE DA221 TL	B
X8211	6050010501	S.XTAL CR-636A (14.7456 MHz)	B
X8212	6060000760	S.CERAMIC EFOP3584E5	B
L8201	6200009300	S.COIL ELJPA 100KF 10U	B
L8202	6200005010	S.COIL NL 252018T-100J	B
L8203	6200005010	S.COIL NL 252018T-100J	B
L8204	6200003950	S.COIL HF50ACC 322513-T	B
L8205	6200003950	S.COIL HF50ACC 322513-T	B
L8206	6200003950	S.COIL HF50ACC 322513-T	B
L8286	6200003520	S.COIL ELJFB 102K-F	B
L8290	6200003950	S.COIL HF50ACC 322513-T	B
L8291	6150005170	COIL ELELN 102KA	B
R8201	7030003640	S.RESISTOR ERJ3GEYJ 473 V (47 kΩ)	B
R8202	7030003640	S.RESISTOR ERJ3GEYJ 473 V (47 kΩ)	B
R8203	7030003640	S.RESISTOR ERJ3GEYJ 473 V (47 kΩ)	B
R8204	7030003640	S.RESISTOR ERJ3GEYJ 473 V (47 kΩ)	B
R8205	7030003560	S.RESISTOR ERJ3GEYJ 103 V (10 kΩ)	B
R8206	7030003640	S.RESISTOR ERJ3GEYJ 473 V (47 kΩ)	B
R8207	7030003640	S.RESISTOR ERJ3GEYJ 473 V (47 kΩ)	B
R8208	7030003650	S.RESISTOR ERJ3GEYJ 563 V (56 kΩ)	B
R8209	7030003680	S.RESISTOR ERJ3GEYJ 104 V (100 kΩ)	B
R8210	7030003640	S.RESISTOR ERJ3GEYJ 473 V (47 kΩ)	B
R8211	7030003640	S.RESISTOR ERJ3GEYJ 473 V (47 kΩ)	B
R8212	7030003640	S.RESISTOR ERJ3GEYJ 473 V (47 kΩ)	B
R8213	7030003640	S.RESISTOR ERJ3GEYJ 473 V (47 kΩ)	B
R8214	7030003860	S.RESISTOR ERJ3GE JPW V	B
R8215	7030003640	S.RESISTOR ERJ3GEYJ 473 V (47 kΩ)	B
R8216	7030003640	S.RESISTOR ERJ3GEYJ 473 V (47 kΩ)	B
R8219	7030000010	S.RESISTOR MCR10EZHZ JPW (000)	B
R8220	7030003440	S.RESISTOR ERJ3GEYJ 102 V (1 kΩ)	B
R8221	7030003440	S.RESISTOR ERJ3GEYJ 102 V (1 kΩ)	B
R8222	7030003640	S.RESISTOR ERJ3GEYJ 473 V (47 kΩ)	B
R8223	7030003480	S.RESISTOR ERJ3GEYJ 222 V (2.2 kΩ)	B
R8224	7030003640	S.RESISTOR ERJ3GEYJ 473 V (47 kΩ)	B
R8225	7030003640	S.RESISTOR ERJ3GEYJ 473 V (47 kΩ)	B
R8226	7030003640	S.RESISTOR ERJ3GEYJ 473 V (47 kΩ)	B
R8227	7030003640	S.RESISTOR ERJ3GEYJ 473 V (47 kΩ)	B
R8228	7030003640	S.RESISTOR ERJ3GEYJ 473 V (47 kΩ)	B
R8239	7030003440	S.RESISTOR ERJ3GEYJ 102 V (1 kΩ)	B

[DISPLAY BOARD]

REF NO.	ORDER NO.	DESCRIPTION	M.
R8240	7030003440	S.RESISTOR ERJ3GEYJ 102 V (1 kΩ)	B
R8241	7030003800	S.RESISTOR ERJ3GEYJ 105 V (1 MΩ)	B
R8242	7030003400	S.RESISTOR ERJ3GEYJ 471 V (470 Ω)	B
R8244	7030003860	S.RESISTOR ERJ3GE JPW V	B
R8246	7030003440	S.RESISTOR ERJ3GEYJ 102 V (1 kΩ)	B
R8247	7030003640	S.RESISTOR ERJ3GEYJ 473 V (47 kΩ)	B
R8250	7030003680	S.RESISTOR ERJ3GEYJ 104 V (100 kΩ)	B
R8251	7030003590	S.RESISTOR ERJ3GEYJ 183 V (18 kΩ)	B
R8252	7030003680	S.RESISTOR ERJ3GEYJ 104 V (100 kΩ)	B
R8253	7030003540	S.RESISTOR ERJ3GEYJ 682 V (6.8 kΩ)	B
R8254	7030003620	S.RESISTOR ERJ3GEYJ 333 V (33 kΩ)	B
R8255	7030003640	S.RESISTOR ERJ3GEYJ 473 V (47 kΩ)	B
R8272	7030003860	S.RESISTOR ERJ3GE JPW V	B
R8273	7030003860	S.RESISTOR ERJ3GE JPW V	B
R8274	7030003660	S.RESISTOR ERJ3GEYJ 683 V (68 kΩ)	B
R8275	7030003500	S.RESISTOR ERJ3GEYJ 332 V (3.3 kΩ)	B
R8276	7030003440	S.RESISTOR ERJ3GEYJ 102 V (1 kΩ)	B
R8278	7030003570	S.RESISTOR ERJ3GEYJ 123 V (12 kΩ)	B
R8279	7030003600	S.RESISTOR ERJ3GEYJ 223 V (22 kΩ)	B
R8280	7030003560	S.RESISTOR ERJ3GEYJ 103 V (10 kΩ)	B
R8281	7030003680	S.RESISTOR ERJ3GEYJ 104 V (100 kΩ)	B
R8282	7030003690	S.RESISTOR ERJ3GEYJ 124 V (120 kΩ)	B
R8283	7030003440	S.RESISTOR ERJ3GEYJ 102 V (1 kΩ)	B
R8284	7030003650	S.RESISTOR ERJ3GEYJ 563 V (56 kΩ)	B
R8285	7030003400	S.RESISTOR ERJ3GEYJ 471 V (470 Ω)	B
R8287	7030003560	S.RESISTOR ERJ3GEYJ 103 V (10 kΩ)	B
R8289	7030003460	S.RESISTOR ERJ3GEYJ 152 V (1.5 kΩ)	B
R8290	7030006060	S.RESISTOR ERJ12YJ100U (10 Ω)	B
R8300	7030003510	S.RESISTOR ERJ3GEYJ 392 V (3.9 kΩ)	B
R8301	7030003330	S.RESISTOR ERJ3GEYJ 121 V (120 Ω)	B
R8302	7030003510	S.RESISTOR ERJ3GEYJ 392 V (3.9 kΩ)	B
R8303	7030003380	S.RESISTOR ERJ3GEYJ 331 V (330 Ω)	B
R8306	7030003510	S.RESISTOR ERJ3GEYJ 392 V (3.9 kΩ)	B
R8307	7030003330	S.RESISTOR ERJ3GEYJ 121 V (120 Ω)	B
R8313	7030003320	S.RESISTOR ERJ3GEYJ 101 V (100 Ω)	B
R8706	7030003310	S.RESISTOR ERJ3GEYJ 820 V (82 Ω)	B
R8707	7030003420	S.RESISTOR ERJ3GEYJ 681 V (680 Ω)	B
R8708	7510001460	S.THERMISTOR NTCG16 3NH 471KT	B
C8201	4030011600	S.CERAMIC C1608 JB 1E 104K-T	B
C8202	4510006220	S.ELECTROLYTIC ECEV1CA101UP	B
C8203	4030011600	S.CERAMIC C1608 JB 1E 104K-T	B
C8204	4030011600	S.CERAMIC C1608 JB 1E 104K-T	B
C8205	4030006900	S.CERAMIC C1608 JB 1H 103K-T	B
C8206	4030007020	S.CERAMIC C1608 CH 1H 120J-T	B
C8207	4030007020	S.CERAMIC C1608 CH 1H 120J-T	B
C8208	4030011600	S.CERAMIC C1608 JB 1E 104K-T	B
C8209	4030006900	S.CERAMIC C1608 JB 1H 103K-T	B
C8213	4030006880	S.CERAMIC C1608 JB 1H 472K-T	B
C8214	4030006880	S.CERAMIC C1608 JB 1H 472K-T	B
C8215	4030007020	S.CERAMIC C1608 CH 1H 120J-T	B
C8216	4030007020	S.CERAMIC C1608 CH 1H 120J-T	B
C8220	4030017480	S.CERAMIC C1608 JB 1A 474K-T	B
C8221	4030006880	S.CERAMIC C1608 JB 1H 472K-T	B
C8222	4030006880	S.CERAMIC C1608 JB 1H 472K-T	B
C8225	4030006880	S.CERAMIC C1608 JB 1H 472K-T	B
C8226	4030006880	S.CERAMIC C1608 JB 1H 472K-T	B
C8227	4030011600	S.CERAMIC C1608 JB 1E 104K-T	B
C8229	4030011600	S.CERAMIC C1608 JB 1E 104K-T	B
C8244	4510004630	S.ELECTROLYTIC ECEV1CA100SR	B
C8246	4030006860	S.CERAMIC C1608 JB 1H 102K-T	B
C8250	4030006900	S.CERAMIC C1608 JB 1H 103K-T	B
C8280	4510005310	S.ELECTROLYTIC ECEV1CA220SR	B
C8281	4030006880	S.CERAMIC C1608 JB 1H 472K-T	B
C8282	4510004630	S.ELECTROLYTIC ECEV1CA100SR	B
C8283	4510004630	S.ELECTROLYTIC ECEV1CA100SR	B
C8284	4510005860	S.ELECTROLYTIC ECEV1HA2R2SR	B
C8285	4510004630	S.ELECTROLYTIC ECEV1CA100SR	B
C8286	4510004640	S.ELECTROLYTIC ECEV1CA470SP	B
C8287	4510004650	S.ELECTROLYTIC ECEV1EA4R7SR	B
C8288	4030006880	S.CERAMIC C1608 JB 1H 472K-T	B
C8289	4030006880	S.CERAMIC C1608 JB 1H 472K-T	B
C8290	4510004640	S.ELECTROLYTIC ECEV1CA470SP	B
C8291	4030011600	S.CERAMIC C1608 JB 1E 104K-T	B
C8292	4030011600	S.CERAMIC C1608 JB 1E 104K-T	B
C8293	4510004640	S.ELECTROLYTIC ECEV1CA470SP	B
C8294	4030007130	S.CERAMIC C1608 CH 1H 101J-T	B
C8295	4030006880	S.CERAMIC C1608 JB 1H 472K-T	B
C8297	4030006880	S.CERAMIC C1608 JB 1H 472K-T	B
C8298	4030006880	S.CERAMIC C1608 JB 1H 472K-T	B
C8299	4030007090	S.CERAMIC C1608 CH 1H 470J-T	B
C8300	4030007090	S.CERAMIC C1608 CH 1H 470J-T	B
C8301	4510004640	S.ELECTROLYTIC ECEV1CA470SP	B
C8302	4030011600	S.CERAMIC C1608 JB 1E 104K-T	B
C8303	4030011600	S.CERAMIC C1608 JB 1E 104K-T	B
C8304	4510004640	S.ELECTROLYTIC ECEV1CA470SP	B
C8310	4510004640	S.ELECTROLYTIC ECEV1CA470SP	B

M.=Mounted side (T: Mounted on the Top side, B: Mounted on the Bottom side)

S.=Surface mount

[DISPLAY BOARD]

REF NO.	ORDER NO.	DESCRIPTION		M.
C8311	4030011600	S.CERAMIC	C1608 JB 1E 104K-T	B
C8312	4030011600	S.CERAMIC	C1608 JB 1E 104K-T	B
C8313	4510004640	S.ELECTROLYTIC	ECEV1CA470SP	B
J8201	6510021260	S.CONNECTOR	B9B-ZR-SM3-TF	B
J8202	6510022620	S.CONNECTOR	10FMN-BMTTR-A-TBT	B
J8205	6510022540	S.CONNECTOR	20FMN-BMTTR-A-TBT	B
J8701	6450001470	CONNECTOR	95003-2881	T
J8702	6510022620	S.CONNECTOR	10FMN-BMTTR-A-TBT	B
DS8300	5040002470	S.LED	FY1112H	T
DS8301	5040002470	S.LED	FY1112H	T
DS8302	5040002470	S.LED	FY1112H	T
DS8303	5040002470	S.LED	FY1112H	T
DS8304	5040002470	S.LED	FY1112H	T
DS8305	5040002030	S.LED	CL-170Y-CD-T	T
DS8306	5040002030	S.LED	CL-170Y-CD-T	T
DS8308	5040002030	S.LED	CL-170Y-CD-T	T
DS8309	5040002030	S.LED	CL-170Y-CD-T	T
DS8311	5040002030	S.LED	CL-170Y-CD-T	T
DS8312	5040002030	S.LED	CL-170Y-CD-T	T
DS8313	5040002030	S.LED	CL-170Y-CD-T	T
DS8314	5040002030	S.LED	CL-170Y-CD-T	T
S8201	2250000480	ENCODER	EVEHE1F2524B	T
EP8291	0910057183	PCB	B 6057C	
EP8292	6910012350	S.BEAD	MMZ1608Y 102BT	B
EP8293	6910012350	S.BEAD	MMZ1608Y 102BT	B
EP8294	6910012350	S.BEAD	MMZ1608Y 102BT	B
EP8295	6910012350	S.BEAD	MMZ1608Y 102BT	B

[REAR BOARD]

REF NO.	ORDER NO.	DESCRIPTION		M.
R8801	7030010540	S.RESISTOR	ERJ1TYJ 330U (33 Ω)	T
R8802	7030010540	S.RESISTOR	ERJ1TYJ 330U (33 Ω)	T
R8803	7030010540	S.RESISTOR	ERJ1TYJ 330U (33 Ω)	T
C8801	4030006880	S.CERAMIC	C1608 JB 1H 472K-T	T
J8801	6450000140	CONNECTOR	HSJ0807-01-010	T
J8802	6510022620	S.CONNECTOR	10FMN-BMTTR-A-TBT	T
EP8801	0910057190	PCB	B 6092	

[CONNECT BOARD]

REF NO.	ORDER NO.	DESCRIPTION		M.
L8920	6200001830	S.COIL	NL 322522T-100J	B
L8921	6200001830	S.COIL	NL 322522T-100J	B
R8941	7030003830	S.RESISTOR	ERJ3GEYJ 185 V (1.8 MΩ)	B
R8942	7030003840	S.RESISTOR	ERJ3GEYJ 225 V (2.2 MΩ)	B
R8943	7030003640	S.RESISTOR	ERJ3GEYJ 473 V (47 kΩ)	B
R8944	7030003640	S.RESISTOR	ERJ3GEYJ 473 V (47 kΩ)	B
R8946	7030003830	S.RESISTOR	ERJ3GEYJ 185 V (1.8 MΩ)	B
C8930	4030011600	S.CERAMIC	C1608 JB 1E 104K-T	B
C8931	4030011600	S.CERAMIC	C1608 JB 1E 104K-T	B
C8932	4550006450	S.TANTALUM	ECST1EY105R	B
C8933	4550006450	S.TANTALUM	ECST1EY105R	B
C8934	4550006450	S.TANTALUM	ECST1EY105R	B
C8935	4550006450	S.TANTALUM	ECST1EY105R	B
C8936	4550006450	S.TANTALUM	ECST1EY105R	B
C8937	4030011600	S.CERAMIC	C1608 JB 1E 104K-T	B
J8920	6510022540	S.CONNECTOR	20FMN-BMTTR-A-TBT	B
DS8920	5030002670	LCD	F7000 LCD ASSEMBLY	T
EP8921	0910057172	PCB	B 6013B	

M.=Mounted side (T: Mounted on the Top side, B: Mounted on the Bottom side)

S.=Surface mount

6-3 HM-146

[MAIN UNIT]

REF NO.	ORDER NO.	DESCRIPTION		M.
MIC IC1	1130008990	S.IC	LC7366NM-TRM <KN>	T
Q1	1590003340	S.TRANSISTOR	DTA114EUA T106 <KN>	T
D1	1730002500	S.ZENER	MA8062-M (TX) <KN>	T
X1	6060000700	S.CERAMIC	PRBC 3.58AR <KN>	T
L5	6200008620	S.COIL	LK1608-R82K-T <KN>	T
R1	7030009370	S.RESISTOR	MCR03EZHZ 220 Ω— (221) <KN>	T
R13	7030009360	S.RESISTOR	MCR03EZHZ 100 Ω— (101) <KN>	T
R14	7030009410	S.RESISTOR	MCR03EZHZ 2.2 kΩ— (222) <KN>	T
R15	7030009450	S.RESISTOR	MCR03EZHZ 5.6 kΩ— (562) <KN>	T
R17	7030009430	S.RESISTOR	MCR03EZHZ 3.3 kΩ— (332) <KN>	T
R18	7030009350	S.RESISTOR	MCR03EZHZ 10 Ω— (11) <KN>	T
R19	7030009430	S.RESISTOR	MCR03EZHZ 3.3 kΩ— (332) <KN>	T
R20	7030009430	S.RESISTOR	MCR03EZHZ 3.3 kΩ— (332) <KN>	T
R22	7030009380	S.RESISTOR	MCR03EZHZ 470 Ω— (471) <KN>	T
R23	7030009390	S.RESISTOR	MCR03EZHZ 1 kΩ— (102) <KN>	T
R24	7030009470	S.RESISTOR	MCR03EZHZ 47 kΩ— (473) <KN>	T
R25	7030009470	S.RESISTOR	MCR03EZHZ 47 kΩ— (473) <KN>	T
R26	7030009470	S.RESISTOR	MCR03EZHZ 47 kΩ— (473) <KN>	T
R27	7030009470	S.RESISTOR	MCR03EZHZ 47 kΩ— (473) <KN>	T
R28	7030009470	S.RESISTOR	MCR03EZHZ 47 kΩ— (473) <KN>	T
R29	7030009470	S.RESISTOR	MCR03EZHZ 47 kΩ— (473) <KN>	T
R30	7030009470	S.RESISTOR	MCR03EZHZ 47 kΩ— (473) <KN>	T
R31	7030009470	S.RESISTOR	MCR03EZHZ 47 kΩ— (473) <KN>	T
R35	7030009360	S.RESISTOR	MCR03EZHZ 100 Ω— (101) <KN>	T
R36	7030011020	S.RESISTOR	MCR03EZHZ 330 Ω— (331) <KN>	T
C1	4030014380	S.CERAMIC	UMK107 CH 200JZ-T <KN>	T
C2	4030014380	S.CERAMIC	UMK107 CH 200JZ-T <KN>	T
C3	4030014370	S.CERAMIC	LMK212 BJ 105KG-T <KN>	T
C4	4030014410	S.CERAMIC	TMK107 B 103KZ-T <KN>	T
C13	4030014370	S.CERAMIC	LMK212 BJ 105KG-T <KN>	T
C15	4030014400	S.CERAMIC	TMK107 B 102KZ-T <KN>	T
C16	4030014360	S.CERAMIC	EMK212 BJ 334KG-T <KN>	T
C17	4030014370	S.CERAMIC	LMK212 BJ 105KG-T <KN>	T
C18	4030018730	S.CERAMIC	C1608 JB 1E 104K-T <KN>	T
C19	4030014390	S.CERAMIC	UMK107 SL 470JZ-T <KN>	T
C20	4030014400	S.CERAMIC	TMK107 B 102KZ-T <KN>	T
C21	4030014410	S.CERAMIC	TMK107 B 103KZ-T <KN>	T
C22	4030014400	S.CERAMIC	TMK107 B 102KZ-T <KN>	B
C24	4030014400	S.CERAMIC	TMK107 B 102KZ-T <KN>	B
C25	4030014400	S.CERAMIC	TMK107 B 102KZ-T <KN>	B
C26	4030014400	S.CERAMIC	TMK107 B 102KZ-T <KN>	T
C28	4030014390	S.CERAMIC	UMK107 SL 470JZ-T <KN>	T
C29	4030014390	S.CERAMIC	UMK107 SL 470JZ-T <KN>	T
J1	6510021010	CONNECTOR	52018-8835 <KN>	T
DS1	5040002380	S.LED	SML-311YT T86 <KN>	B
DS2	5040002380	S.LED	SML-311YT T86 <KN>	B
DS3	5040002380	S.LED	SML-311YT T86 <KN>	B
DS4	5040002380	S.LED	SML-311YT T86 <KN>	B
MC1	7700002410	MICROPHONE	KUB2823-011500 <KN>	B
S1	2230001020	S.SWITCH	JPM1990-2013R <KN>	T
S2	2220000620	S.SWITCH	SSS81560A	T
S3	2260002500	SWITCH	SKHHLM	T
S4	2260002500	SWITCH	SKHHLM	T
W1	8900007971	CABLE	OPC-762A <KN>	T
EP1	0910057261	PCB	B 6021A	

M.=Mounted side (T: Mounted on the Top side, B: Mounted on the Bottom side)

S.=Surface mount

SECTION 7 MECHANICAL PARTS AND DISASSEMBLY

7-1 RC-26

[FRONT PARTS]

REF. NO.	ORDER NO.	DESCRIPTION	QTY.
W8002	8900012650	Cable OPC-1272	1
MP8001	8210020240	2140 front panel (A) assembly	1
MP8002	8210020010	2621 reflector	1
MP8003	8930060820	2621 LCD holder	1
MP8006	8930060810	2140 front key (D)	1
MP8009	8610009840	Knob N234	1
MP8011	8930038220	1765 rear plate	1
MP8012	8210013160	1765 front panel	1
MP8013	8930038230	1765 rear seal	1
MP8015	8930055530	Sponge (GS)	1
MP8016	8820000870	1705 cap screw	3
MP8017	8810008760	Screw BT B0 2 × 8 NI-ZU	5
MP8018	8810009060	Screw FH M3 × 6 ZK	4
MP8020	8930038190	1765 jack bush	1
MP8021	8930038210	1765 jack seal	1
MP8022	8810008660	Screw PH B0 3 × 8 NI-ZU	2
MP8023	8930048290	2140 LCD filter	1
MP8024	8930061640	Rubber sheet (BH)	2

[DISPLAY BOARD]

REF. NO.	ORDER NO.	DESCRIPTION	QTY.
J8701	6450001470	Connector 95003-2881	1
S8201	2250000480	Switch EVE HE1 F25 24B	1

[REAR BOARD]

REF. NO.	ORDER NO.	DESCRIPTION	QTY.
J8801	6450000140	Connector HSJ0807-01-010	1

[CONNECT BOARD]

REF. NO.	ORDER NO.	DESCRIPTION	QTY.
DS8920	5030002670	F7000 LCD assembly	1

7-2 HM-146

[CHASSIS PARTS]

REF. NO.	ORDER NO.	DESCRIPTION	QTY.
MP1	8210015341	1743 front panel-1	1
MP2	8210015331	1743 rear panel -1	1
MP3	8930045790	1743 hook holder	1
MP5	8930052400	2129 PTT button	1
MP6	8930045780	1743 plumb	2
MP7	8930060900	1743 10-key (B)	1
MP12	8930046930	1135 U/D button (B)	1
MP13	8610010640	Knob N-226	1
MP15	8810009760	Screw PH B0 3 × 12 ZK (BT)	2
MP16	8810009260	Screw PH B0 2 × 6 NI (BT)	3
MP17	8810009770	Screw BiH M4 × 14 NI	1
MP21	8930046540	Rubber sheet (AN)	1
MP24	8930046370	1743 A-plumb	1
MP25	8810009810	Screw PH B0 3 × 14 ZK (BT)	1
MP26	8850001610	Spring washer M4 SUS	1
MP28	8930052390	1743 SW rubber	1
MP29	8930054170	2129 sheet	1

[MIC UNIT]

REF. NO.	ORDER NO.	DESCRIPTION	QTY.
MC1	7700002410	Microphone KUB2823-011500	1
W1	8900007971	Cable OPC-762A	1
S3	2260002500	Switch SKHHLM	1
S4	2260002500	Switch SKHHLM	1

7-3 IC-F7000

[CHASSIS PARTS]

REF. NO.	ORDER NO.	DESCRIPTION	QTY.
J4501	6510000370	Connector MR-DS	1
W4501	8900012620	Cable OPC-1270	1
W4502	8900012630	Cable OPC-1271	1
MP4501	8010019330	2620 chassis	1
MP4502	8110008010	2620 T-cover	1
MP4503	8110008000	2620 U-cover	1
MP4504	8930061070	2620 A-front plate	1
MP4508	8930035230	1546 TR-A clip	1
MP4509	8820000530	Flange bolt M4 × 8 NI	1
MP4511	8930040590	Rubber foot (K)	4
MP4512	8810005770	Screw BiH M3 × 8 ZK	2
MP4513	8810005770	Screw BiH M3 × 8 ZK	16
MP4514	8810003170	Setscrew A M3 × 8	7
MP4515	8810003170	Setscrew A M3 × 8	2
MP4516	8930037001	1691 earth plate-1	1
MP4517	8810008660	Screw PH B0 M3 × 8 NI-ZU (BT)	8
MP4518	8810008660	Screw PH B0 M3 × 8 NI-ZU (BT)	4
MP4519	8810008660	Screw PH B0 M3 × 8 NI-ZU (BT)	13
MP4520	8810008660	Screw PH B0 M3 × 8 NI-ZU (BT)	2
MP4527	8810006700	Screw PH B0 M2.6 × 8 ZK	1
MP4528	8930061520	Shield sponge (AC)	1
MP4529	8930042620	Sponge (ES)	1
MP4530	8810005770	Screw BiH M3 × 8 ZK	1
MP4531	8930053472	Thermally sheet (R)-2	1

[MAIN UNIT]

REF. NO.	ORDER NO.	DESCRIPTION	QTY.
J1451	6450000102	Connector HSJ1857-01-1220	1
J1801	6510023840	Connector TCS5107-182011	1
J2051	6510023050	Connector TCS7286-01-241	1
EP1451	6450001370	Washer HSJ0999-01-210	1
MP201	8510013390	2355 MIX case	1
MP203	8510005980	724 shield case	1
MP204	8510005990	724 shield case cover	1
MP401	8930014140	Earth spring (D)	1
MP601	8510005980	724 shield case	1
MP602	8510005990	724 shield case cover	1
MP1451	8830001670	Screw HSJ0999-01-190	1
MP1501	8510013140	2241 DC-A case	1
MP1502	8930063000	Thermally sheet (AQ)	1

[PLL UNIT]

REF. NO.	ORDER NO.	DESCRIPTION	QTY.
J5041	6510023750	Connector 01K1971-10	1
J5051	6510023120	Connector CD6109SA1J0	1
J5081	6510023120	Connector CD6109SA1J0	1
J5091	6510023750	Connector 01K1971-10	1
MP5101	8930014140	Earth spring (D)	1
MP5103	8510010850	1897 D/A case	1
MP5501	8930062310	Shield sponge (AE)	1
MP5701	8510006941	DTMF shield case-1	1

[DSP BOARD]

REF. NO.	ORDER NO.	DESCRIPTION	QTY.
MP9001	8510014650	2429 DSP case	1
MP9003	8930058170	Shield sponge (O)	1
MP9004	8930042620	Sponge (ES)	1

[DRIVER BOARD]

REF. NO.	ORDER NO.	DESCRIPTION	QTY.
MP6851	8410002480	2429 PA heatsink	1

[ACCESSORIES]

• IC-F7000

REF. NO.	ORDER NO.	DESCRIPTION	QTY.
MC4001	0800007310	HM-146	1
SP4001	0800007490	SP-25	1
J4002	6450001280	Connector TCP0587-71-5401	1
P4001	5610000340	Connector XMP-10V	1
P4002	5610000300	Terminal BXA-001T-P0.6	10
F4001	5210000840	Fuse ATC-30	2
F4002	5210000060	Fuse FGB 5A	2
W4001	8900012700	Cable OPC-1289	1
EP4002	0880001450	RC-26	1
MP4005	8810001490	Screw PH A0 M5 × 20 SUS	4
MP4006	8850000500	Spring washer M5 SUS	4
MP4007	8850000180	Flat washer M5 SUS	4
MP4008	8810010030	Setscrew C M5 × 8 SUS	2
MP4011	8010019460	2620 bracket	1
MP4012	8930062060	2620 L-lock plate	1
MP4013	8930062070	2620 R-lock plate	1
MP4014	8930062050	2620 spacer	2
MP4015	8930062100	2620 rubber	4
MP4016	8930062110	2620 shaft	2
MP4017	8850002020	Plain washer	6
MP4018	8850002030	Wave washer M8 SUS	2
MP4019	8810010030	Setscrew C M5 × 8 SUS	4

• RC-26

REF. NO.	ORDER NO.	DESCRIPTION	QTY.
MP8101	8810000470	Screw PH M5 × 12 (+-)	4
MP8102	8810000950	Screw PH A0 M5 × 16	4
MP8103	8820000910	1765 screw	2
MP8104	8850000150	Flat washer M5 NI BS	4
MP8105	8850000390	Spring washer M5	4
MP8106	8830000120	Nut M5	4
MP8107	8010016470	1765 bracket	1
MP8108	8950005110	2289 mic hanger	1
MP8109	8810004700	Screw PH A0 M3 × 16 SUS	2

ACCESSORIES

MC4001 (F) SP4001 (F) MP4011 (F)

W4001 (F) MP4014 (F) MP4005 (F) MP4007 (F) MP4006 (F) MP4019 (F)

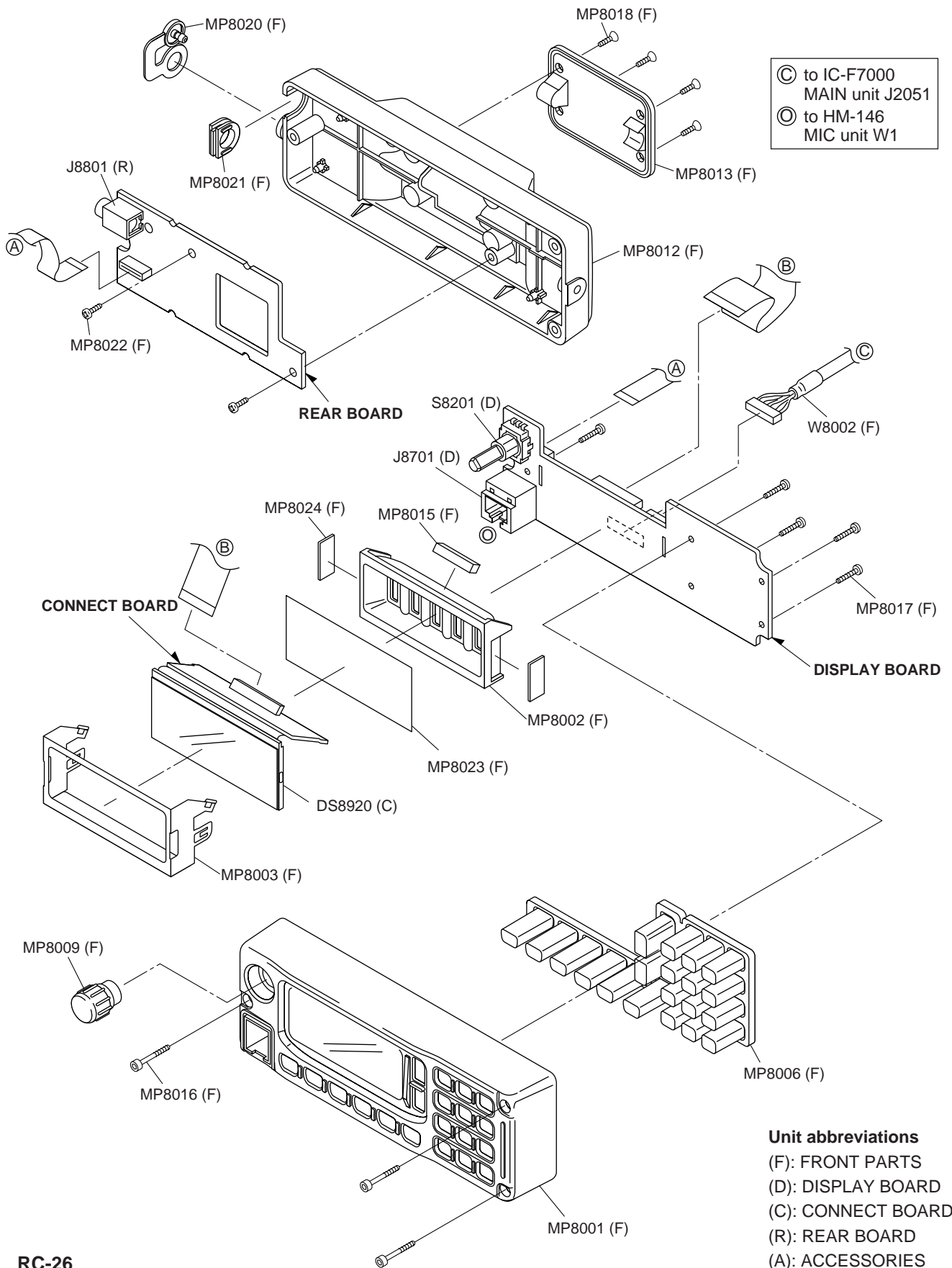
F4002 (F) F4001 (F) P4001 (F) MP8108 (R) MP8109 (R) P4002 (F)

J4002 (F)

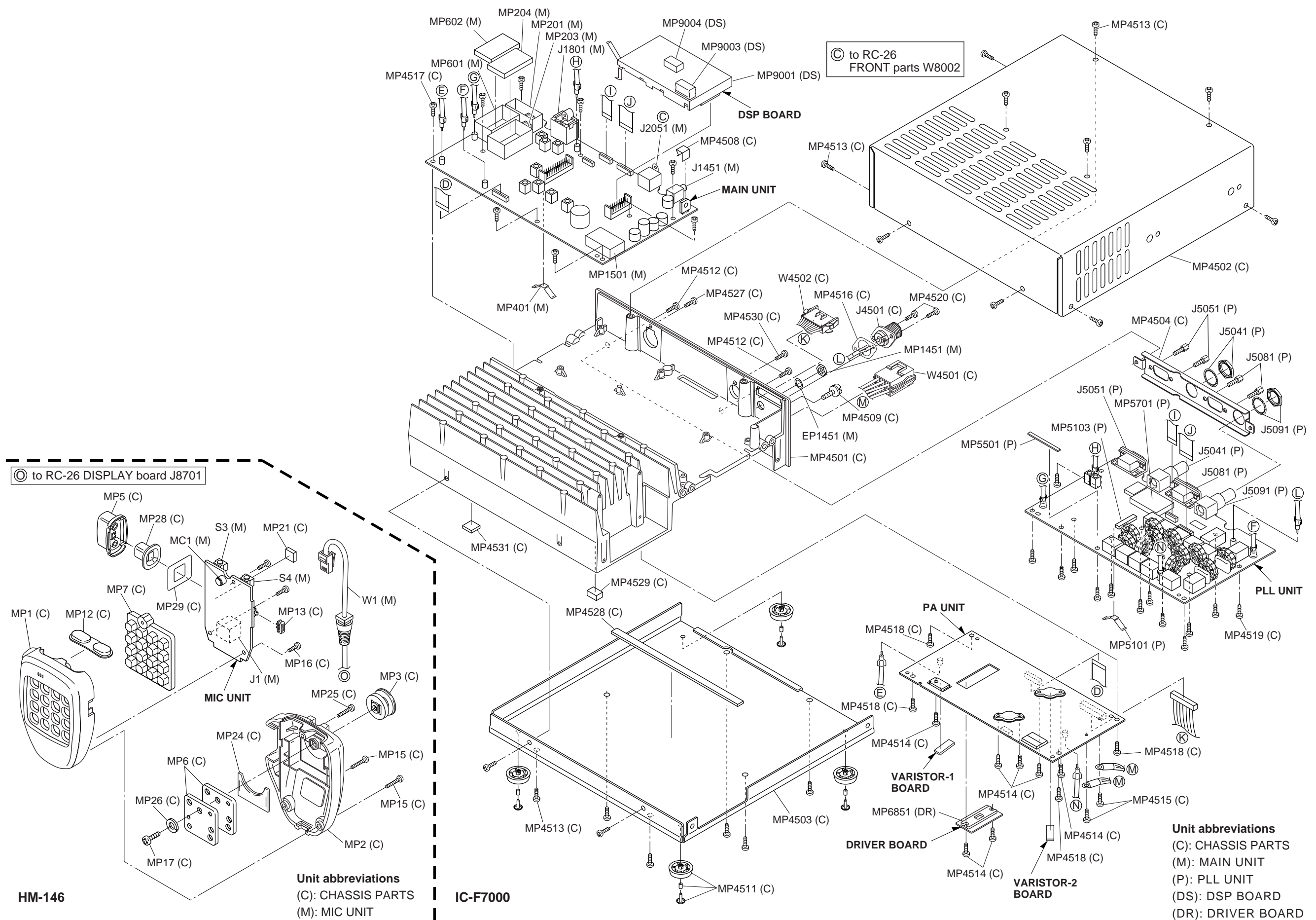
EP4002 (F) MP8107 (R) MP8103 (R) MP8101 (R) MP8106 (R) MP8102 (R) MP8104 (R) MP8105 (R)

(R): RC-26
(F): IC-F7000

Screw abbreviations BT, B0, A0: Self-tapping
 PH: Pan head BiH: Binding head
 FH: Flat head SUS: Stainless
 NI: Nickel BS: Brass
 NI-ZU: Nickel-Zinc ZK: Black

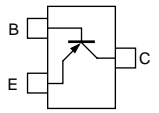
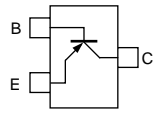
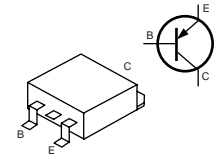
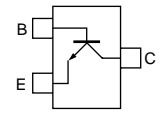
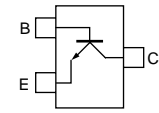
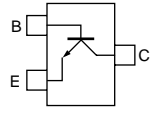
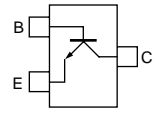
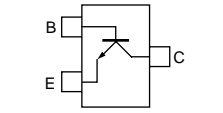
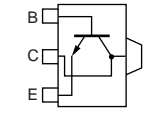
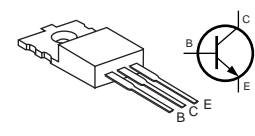
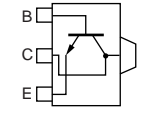
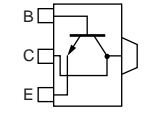
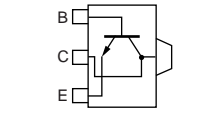
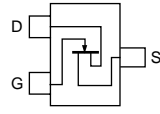
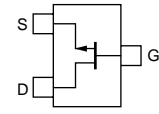
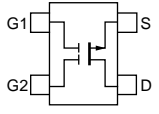
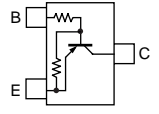
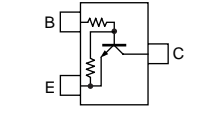
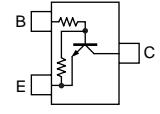
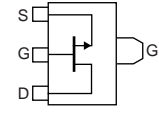
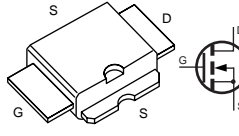
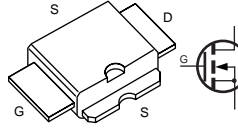
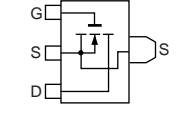
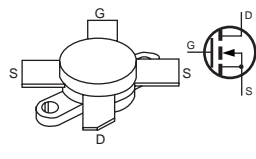
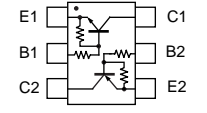
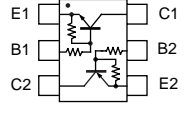
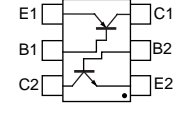


RC-26

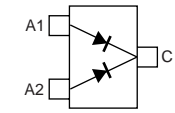
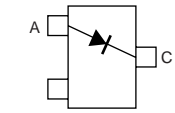
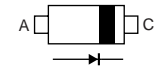
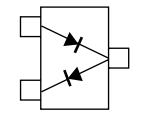
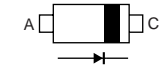
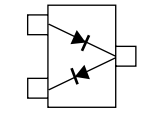
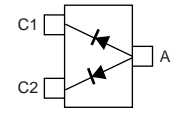
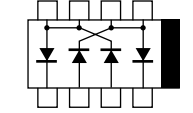
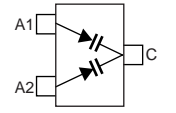
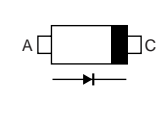
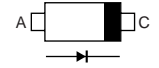
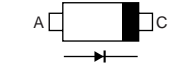
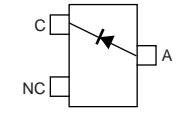
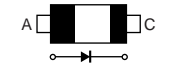
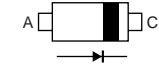
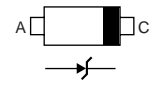
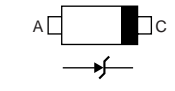
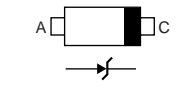
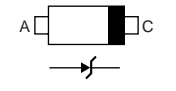
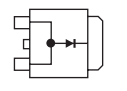
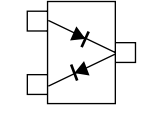
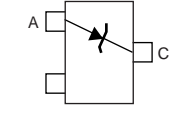
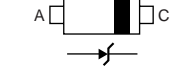
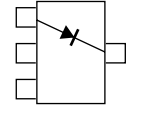
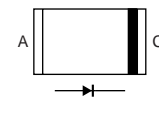


SECTION 8 SEMI-CONDUCTOR INFORMATION

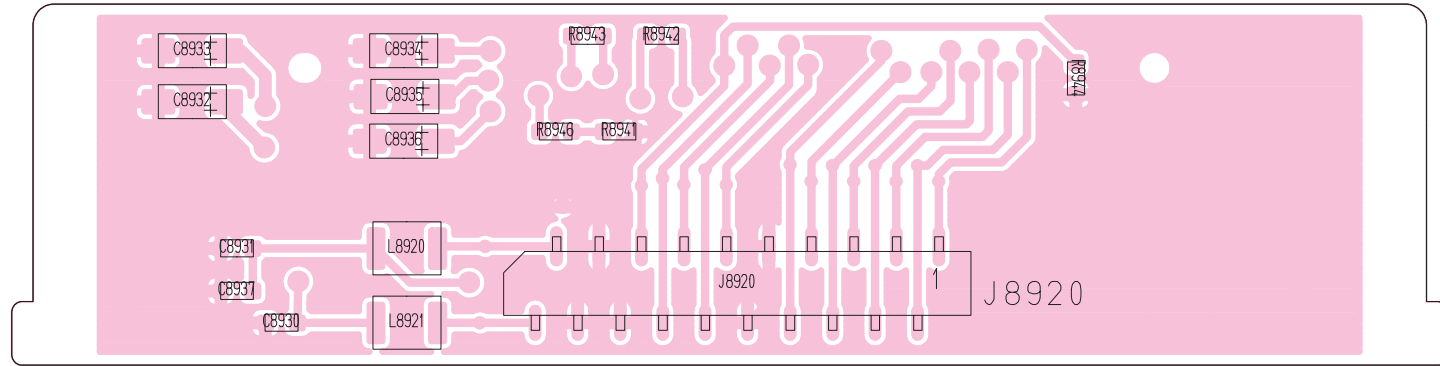
• TRANSISTOR AND FET'S

2SA1037AK S (Symbol: FS) 	2SA1586 GR (Symbol: SG) 	2SB1201 S (Symbol: B1201) 	2SC4081 T106 R (Symbol: BR) 	2SC4116 BL (Symbol: LL) 
2SC4116 GR (Symbol: LG) 	2SC4213 B (Symbol: AB) 	2SC4215 O (Symbol: QO) 	2SC5551F (Symbol: EB) 	2SD1585 K (Symbol: None) 
2SD1619 T TD (Symbol: DB) 	2SD1664 T100Q (Symbol: DAQ) 	2SD1801 S TL (Symbol: CE) 	2SK210 GR (Symbol: YG) 	2SK508 K52 T2B (Symbol: K52) 
3SK131 T2 MAS (Symbol: V11) 	DTA114EUA T106 (Symbol: 14) 	DTC114EUA T106 (Symbol: 24) 	DTC144EUA T106 (Symbol: 26_) 	MMBFU310LT1 (Symbol: 6C) 
PD55003 (Symbol: PD55003) 	PD55015 (Symbol: PD55015) 	RD01MUS1 (Symbol: K2) 	SD1405 (Symbol: SD1405) 	XP4311 (Symbol: 3X) 
XP4312 (Symbol: 7T) 	XP4601 (Symbol: 5C) 			

• DIODES

1SS301 (Symbol: B3) 	1SS322 (Symbol: A9) 	1SS355 (Symbol: A) 	1SS375-TL (Symbol: FH) 	1SV307 (Symbol: TX) 
DA221 TL (Symbol: K) 	DAP222 TL (Symbol: P) 	HSB88WSTR (Symbol: Silver line) 	KV1770S (Symbol: C7) 	MA2S111 (Symbol: A) 
MA2S728 (Symbol: B) 	MA30-(TX) (Symbol: 3B) 	MA132A (Symbol: MB) 	MA338 (Symbol: 6H) 	MA728 (Symbol: 2A) 
MA8051 M (Symbol: 5-1) 	MA8062 M (Symbol: 6-2) 	MA8082 M (Symbol: 8-2) 	MA8091 M (Symbol: 9-1) 	MBRB4030 (Symbol: B4030) 
RB706F-40 T106 (Symbol: 3J) 	RD10M B3 (Symbol: 103) 	RD20E B2 (Symbol: 20 B2) 	SB20 03P (Symbol: SC) 	UM9957F/TR 

• BOTTOM VIEW (CONNECT BOARD)

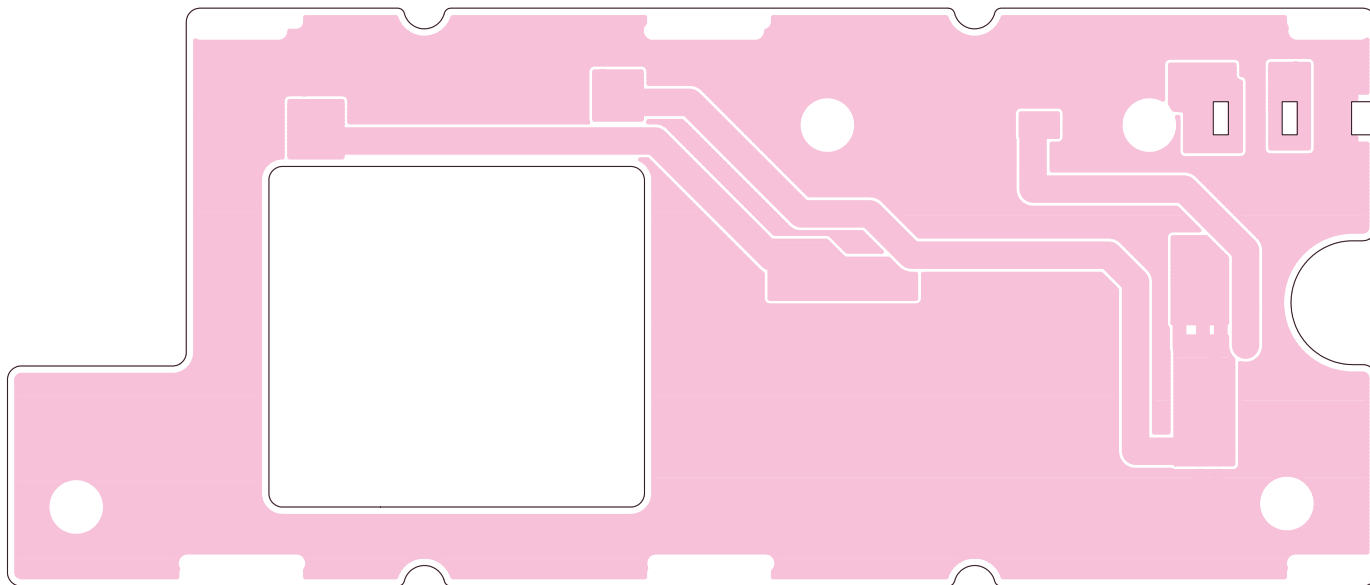


J8920

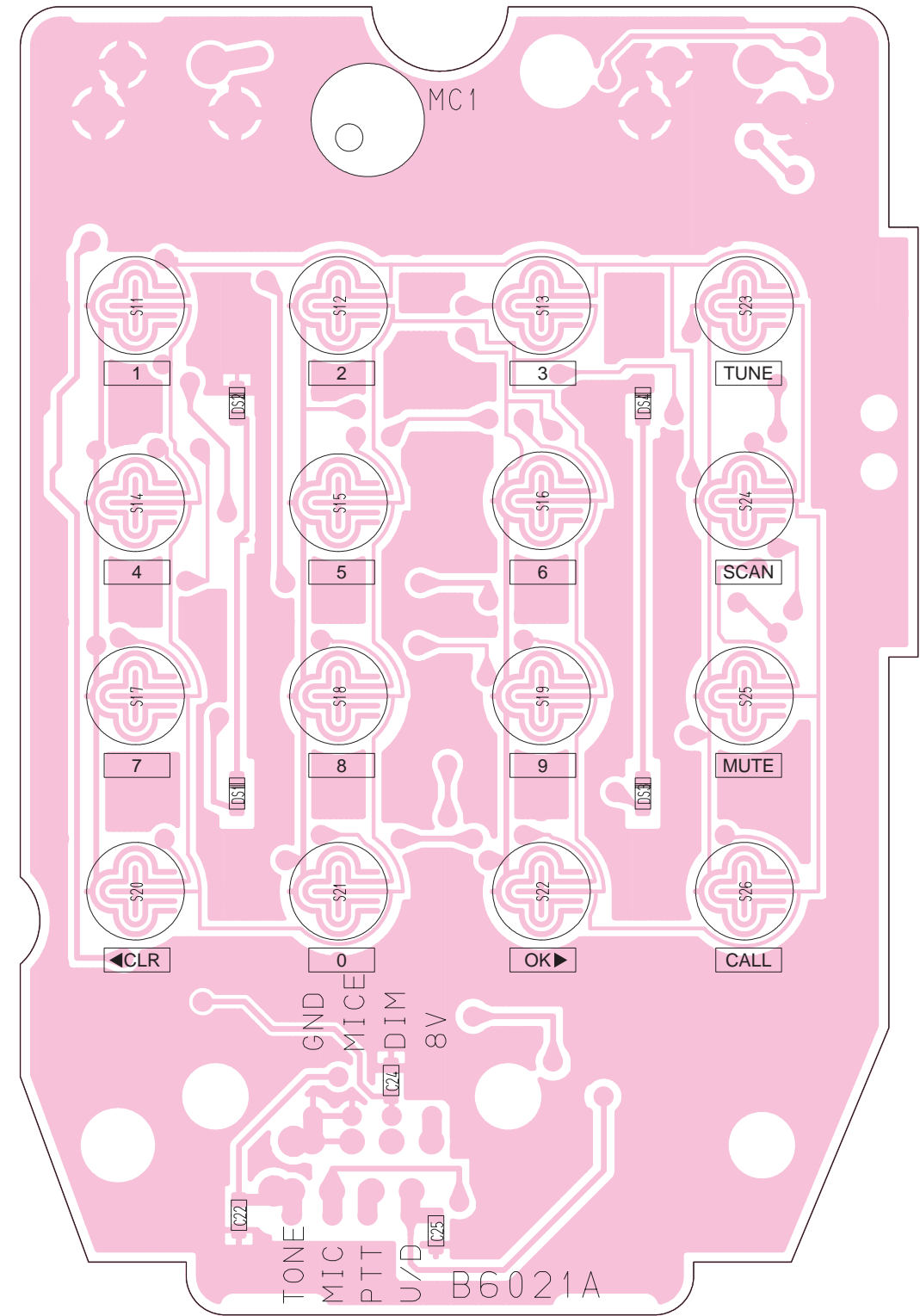
19	5V	1
GND	GND	
RES	RES	
RS	RS	
RD	RD	
GND	GND	
DB1	DB1	
DB3	DB3	
DB5	DB5	
DB7	DB7	
20	9V	2
GND	GND	
CL1	CL1	
CS	CS	
WR	WR	
GND	GND	
DB0	DB0	
DB2	DB2	
DB4	DB4	
DB6	DB6	

to DISPLAY board J8205

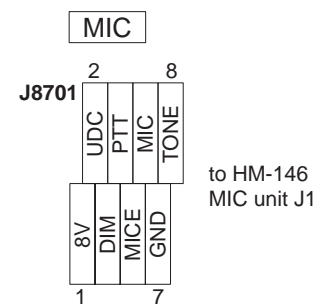
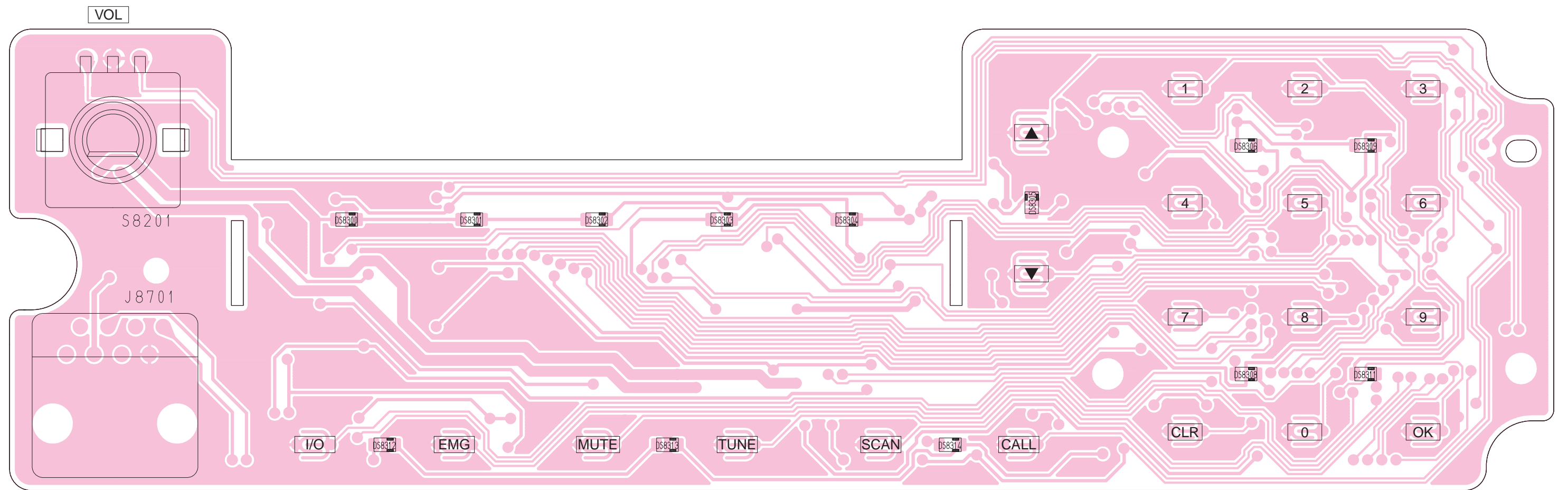
• BOTTOM VIEW (REAR BOARD)



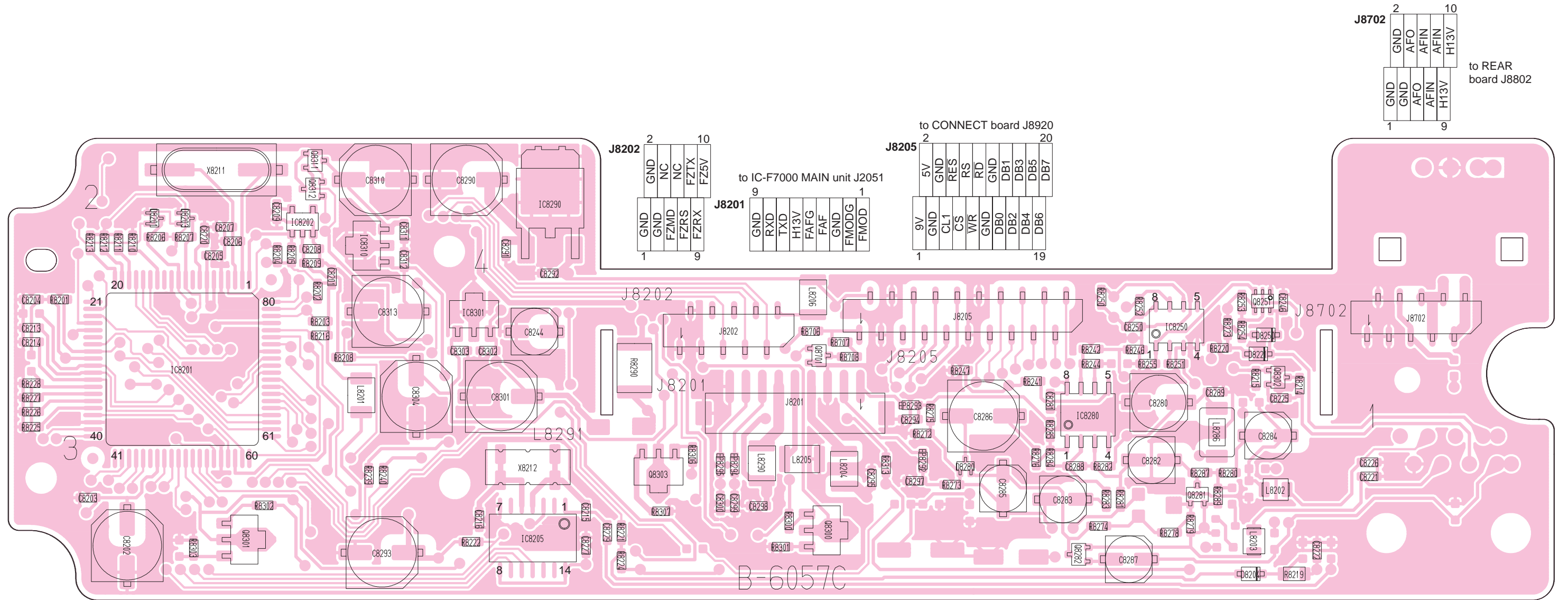
• BOTTOM VIEW (MIC UNIT)



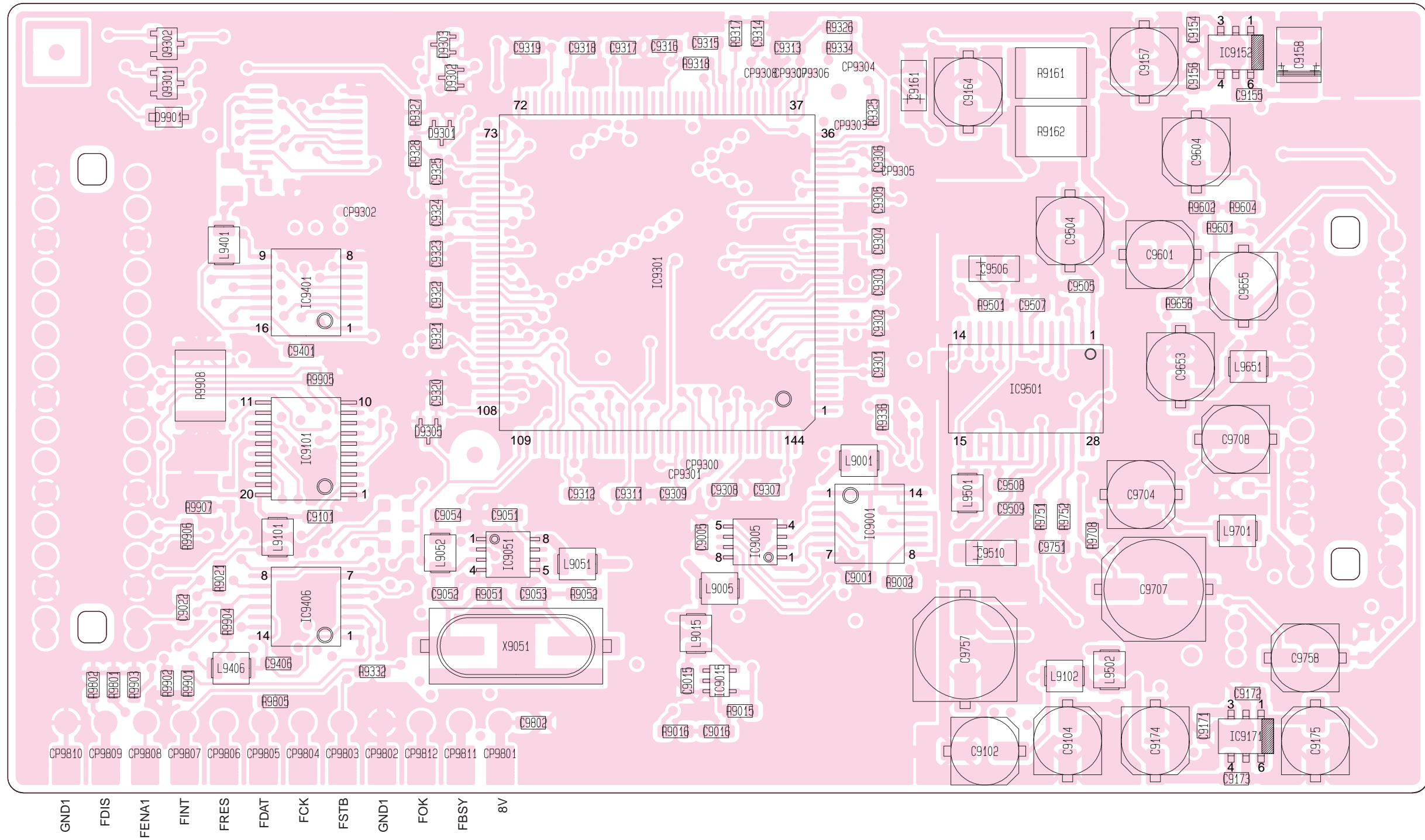
9-2-3 DISPLAY BOARD
• TOP VIEW



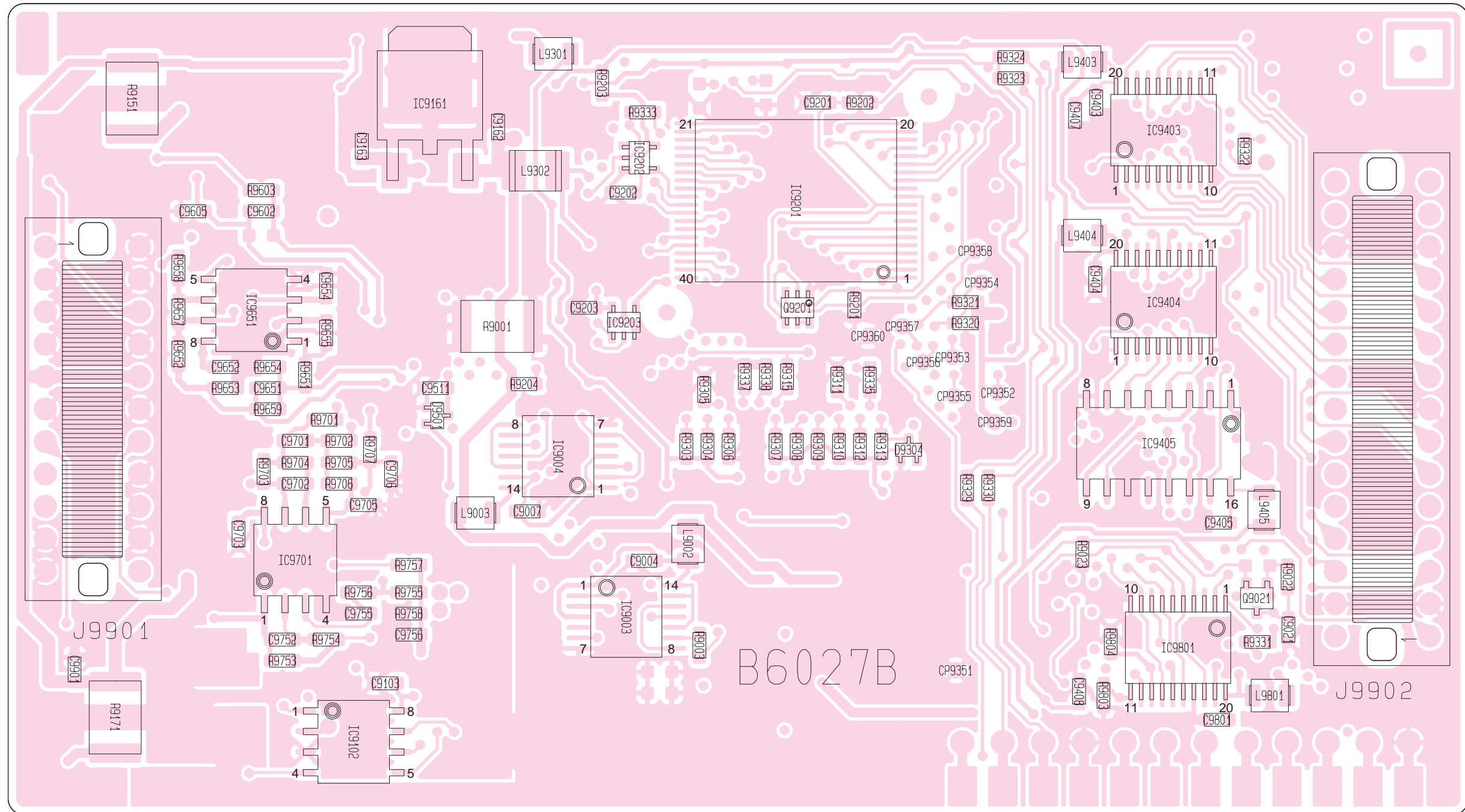
• BOTTOM VIEW (DISPLAY BOARD)



9-3 IC-F7000
9-3-1 DSP BOARD
• TOP VIEW



• BOTTOM VIEW (DSP BOARD)



MAIN unit J1102	
2	DSP11
	GND
1	GND
	GND
	DSPI2
	GND
	GND
	8V
	8V
	GND
	GND
	AGC2
	AGC1
	GND
	GND
	DSPO1
	GND
	GND
22	GND
	DSPO2
21	

J9901	
1	DSPI1
	GND
2	GND
	GND
	DSPI2
	GND
	GND
	8V
	8V
	GND
	GND
	AGC2
	AGC1
	GND
	GND
	DSPO1
	GND
	GND
21	GND
	DSPO2
22	

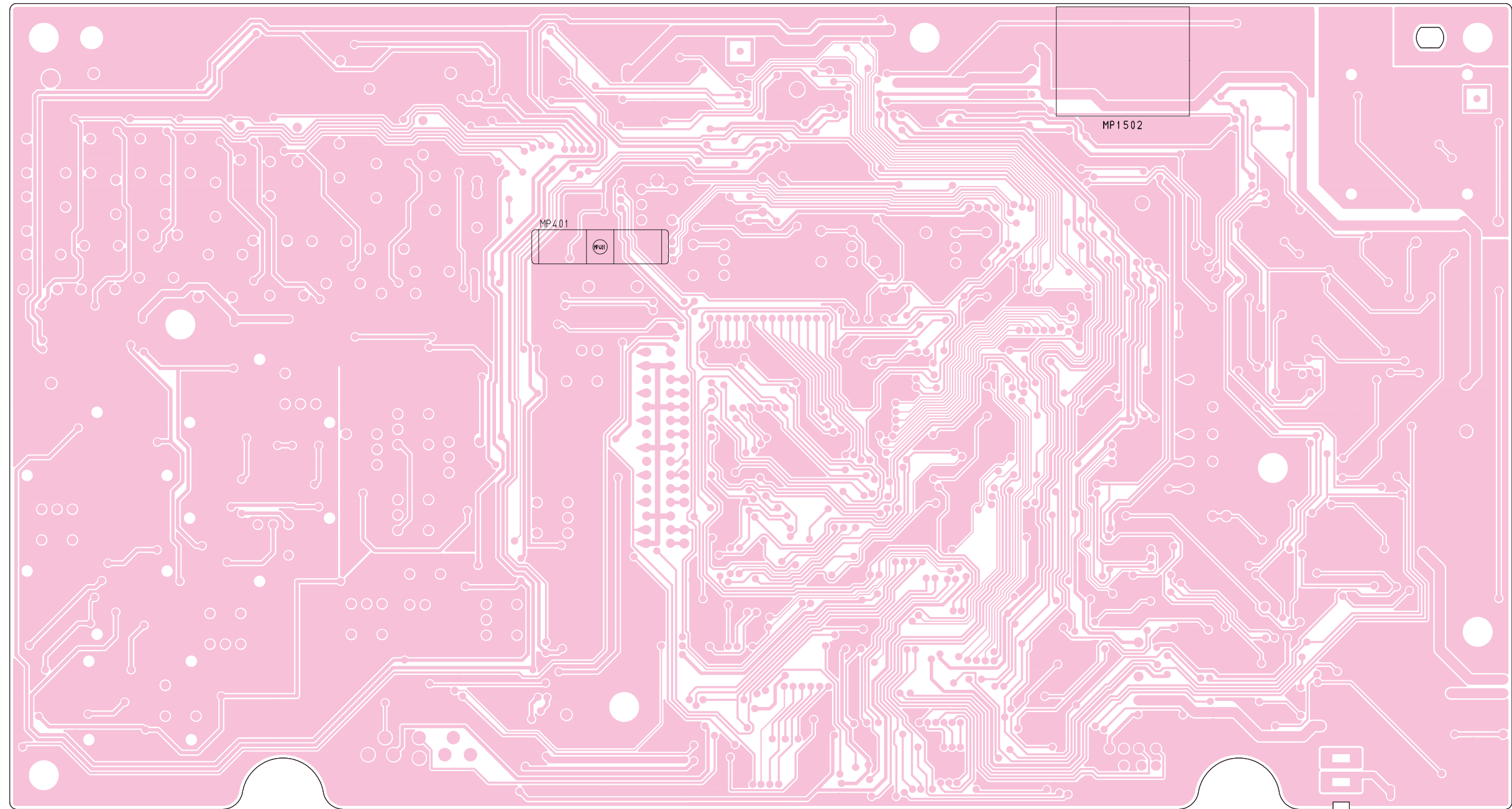
to MAIN unit J1102

J9902	
30	DRES
	GND1
29	DSKY
	UNLK
	GND1
	GND1
	NC
	OUT8
	VSQ1
	OUT6
	ALE2
	TRFO
	CWST
	ALE1
	GND1
	GND1
	OBSY
	STBO
	RQO
	DO
	GND1
	GND1
	CK
	DI
	RQ1
	IBSY
	GND1
	GND1
2	CK_IN
	192K
1	

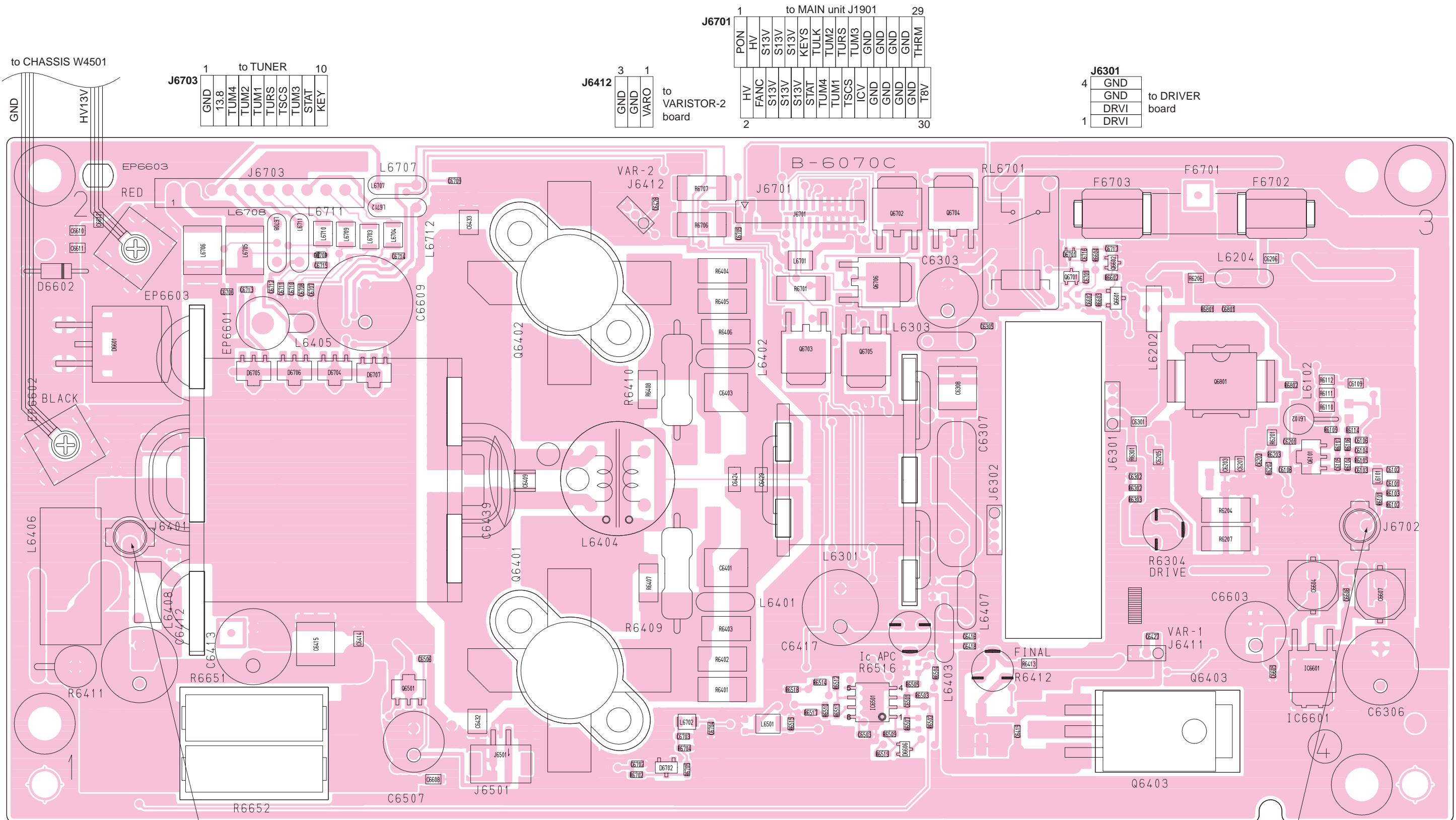
to MAIN unit J1101

MAIN unit J1101	
29	DRES
	GND1
30	DSKY
	UNLK
	GND1
	GND1
	NC
	OUT8
	VSQ1
	OUT6
	ALE2
	TRFO
	CWST
	ALE1
	GND1
	GND1
	OBSY
	STBO
	RQO
	DO
	GND1
	GND1
	CK
	DI
	RQ1
	IBSY
	GND1
	GND1
1	CK_IN
	192K
2	

• BOTTOM VIEW (MAIN UNIT)



9-3-3 PA UNIT
• TOP VIEW



J6703 1 to TUNER 10

1	GND
2	13.8
3	TUM4
4	TUM2
5	TUM1
6	TURS
7	TSCS
8	TUM3
9	STAT
10	KEY

J6412 3 1 to VARISTOR-2 board

3	GND
2	GND
1	VARO

J6701 1 to MAIN unit J1901 29

1	PON
2	HV
3	FANC
4	S13V
5	S13V
6	S13V
7	S13V
8	KEYS
9	STAT
10	TUM4
11	TUM1
12	TUM2
13	TUM3
14	TUM3
15	ICV
16	GND
17	GND
18	GND
19	GND
20	GND
21	GND
22	GND
23	GND
24	GND
25	GND
26	GND
27	GND
28	GND
29	THRM

J6301 4 to DRIVER board 1

4	GND
3	GND
2	DRVI
1	DRVI

FLIN W7001 from PLL unit J7001

J6501 2 1 to FAN

2	GND
1	FAN+

J6302 1 to DRIVER board 4

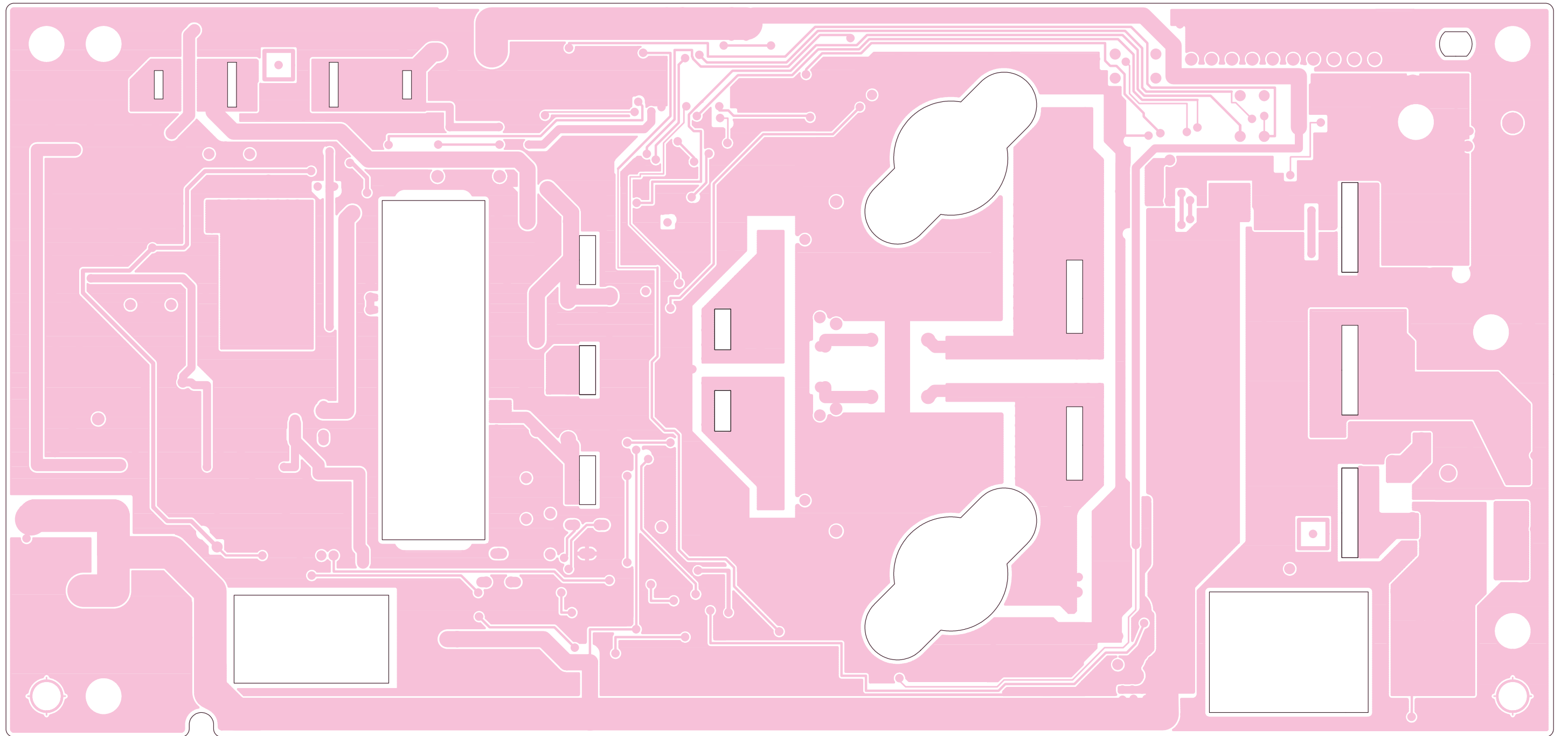
1	DRVO
2	DRVO
3	GND
4	GND

from/to MAIN unit J1 YGR

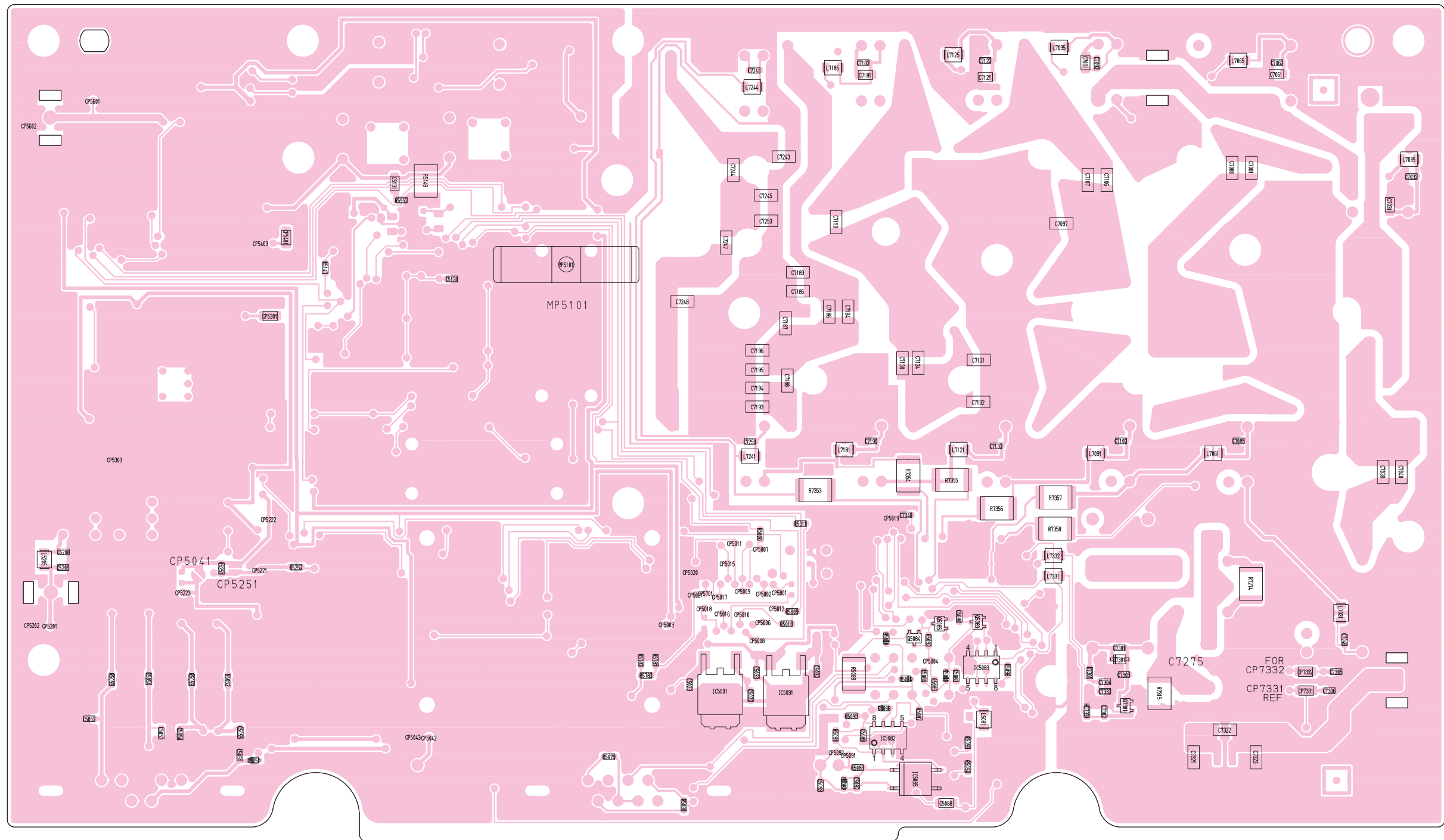
J6411 3 1 to VARISTOR-1 board

3	GND
2	VARO
1	VARI

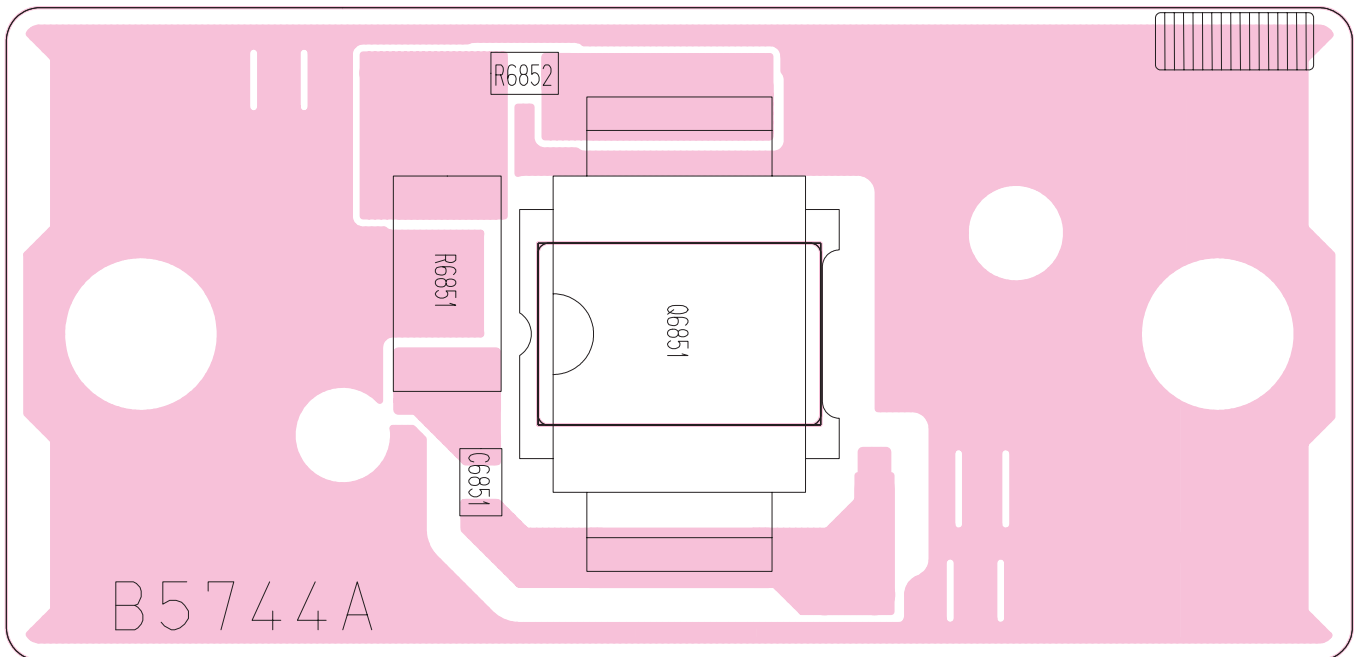
• BOTTOM VIEW (PA UNIT)



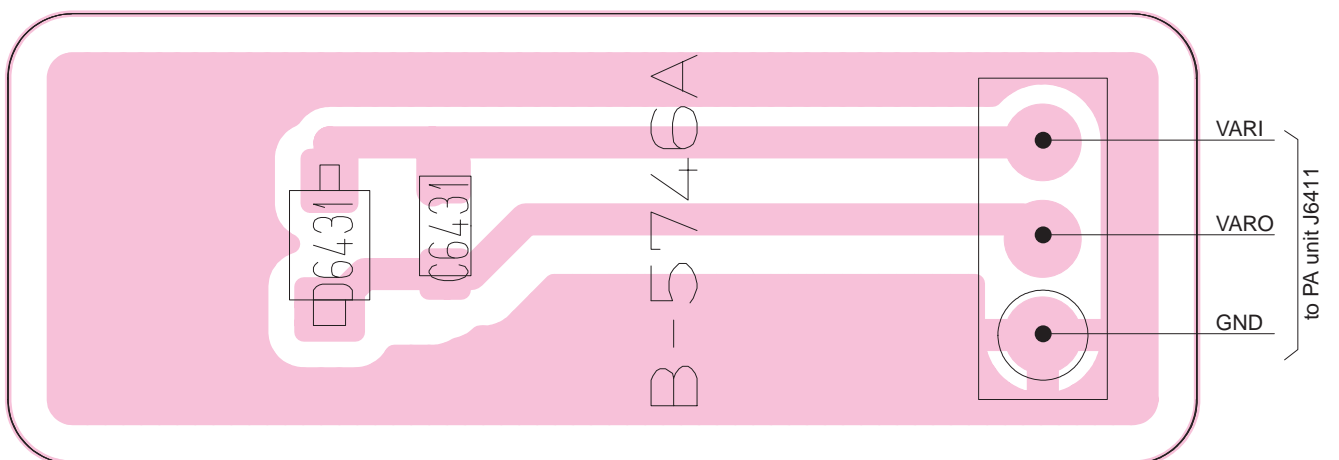
• BOTTOM VIEW (PLL UNIT)



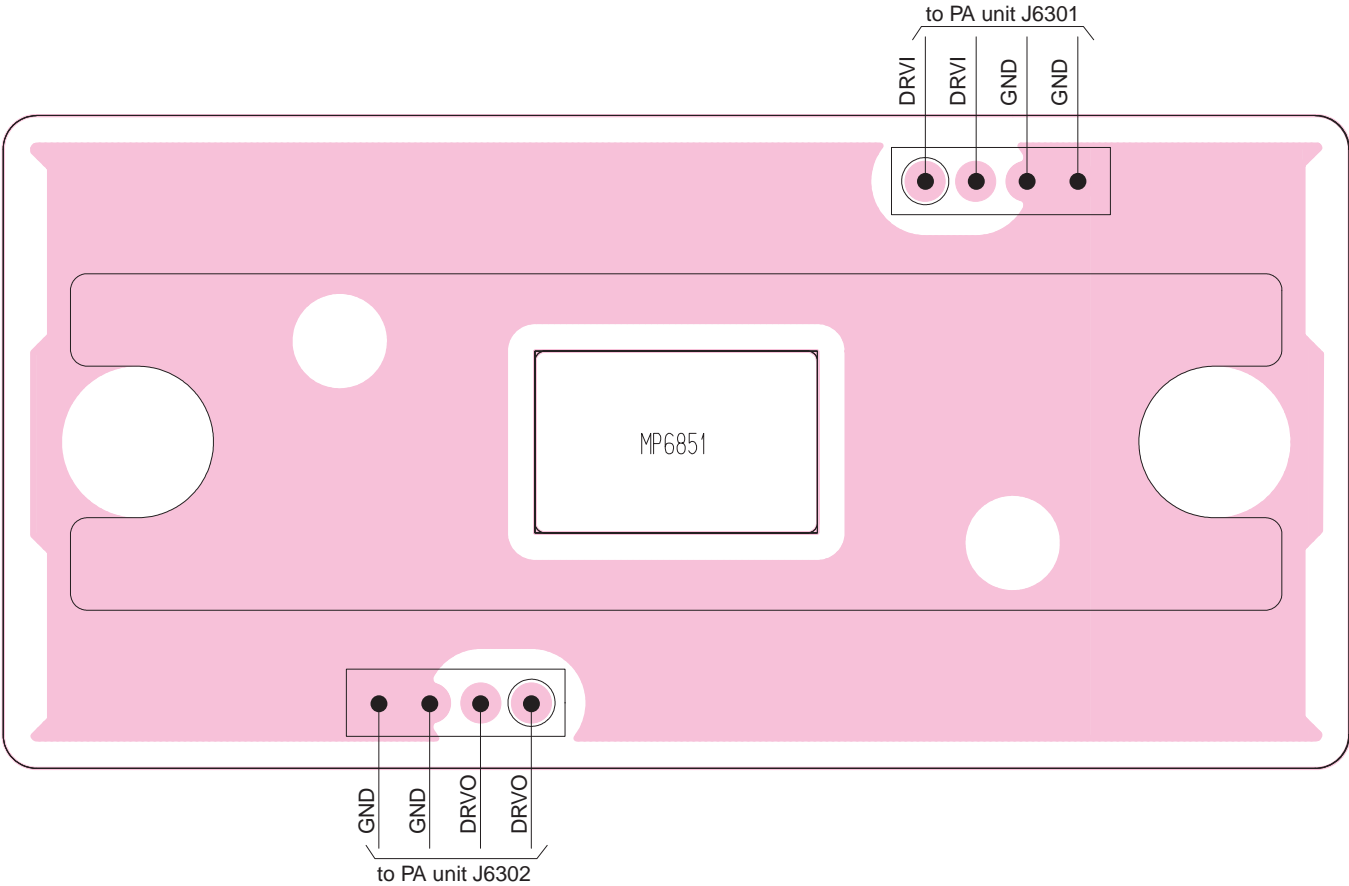
9-3-5 DRIVER BOARD
•TOP VIEW



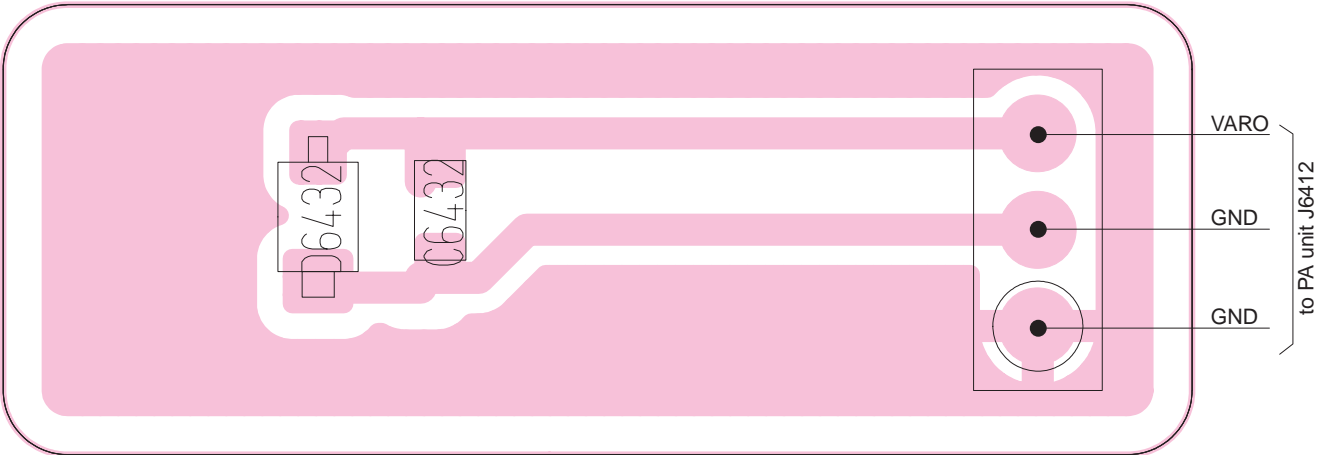
9-3-6 VARISTOR-1 BOARD



• BOTTOM VIEW (DRIVER BOARD)

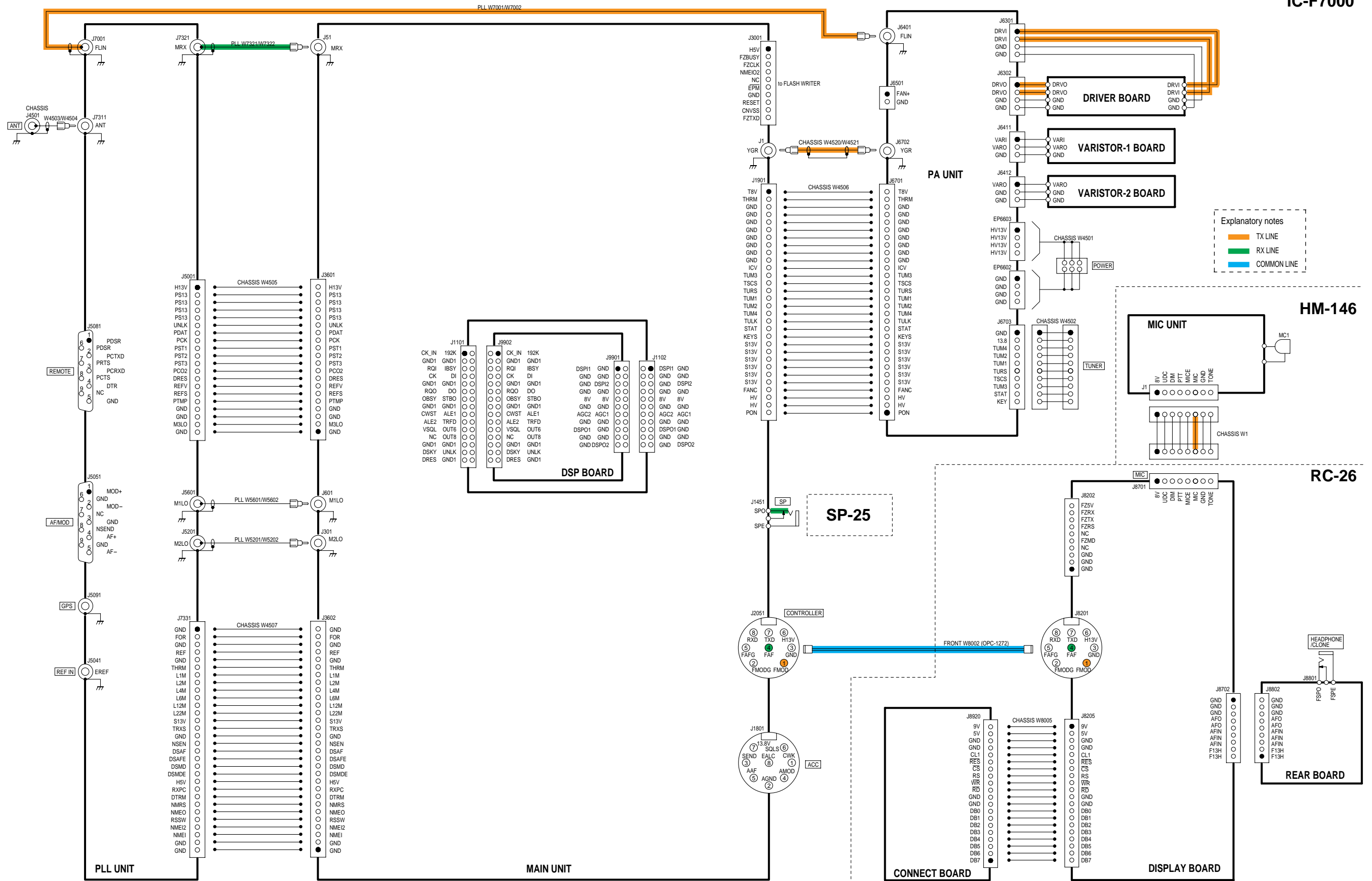


9-3-7 VARISTOR-2 BOARD

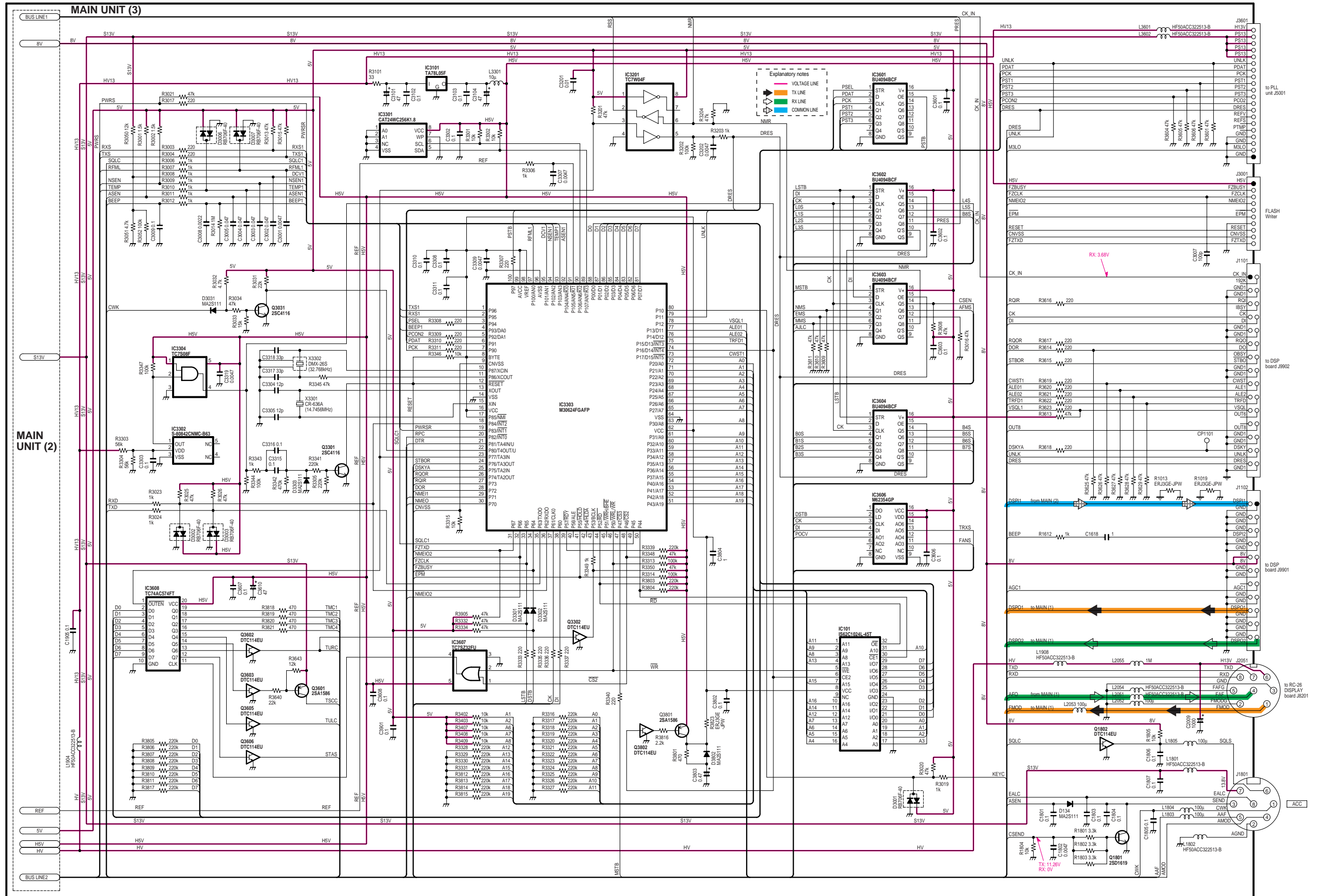


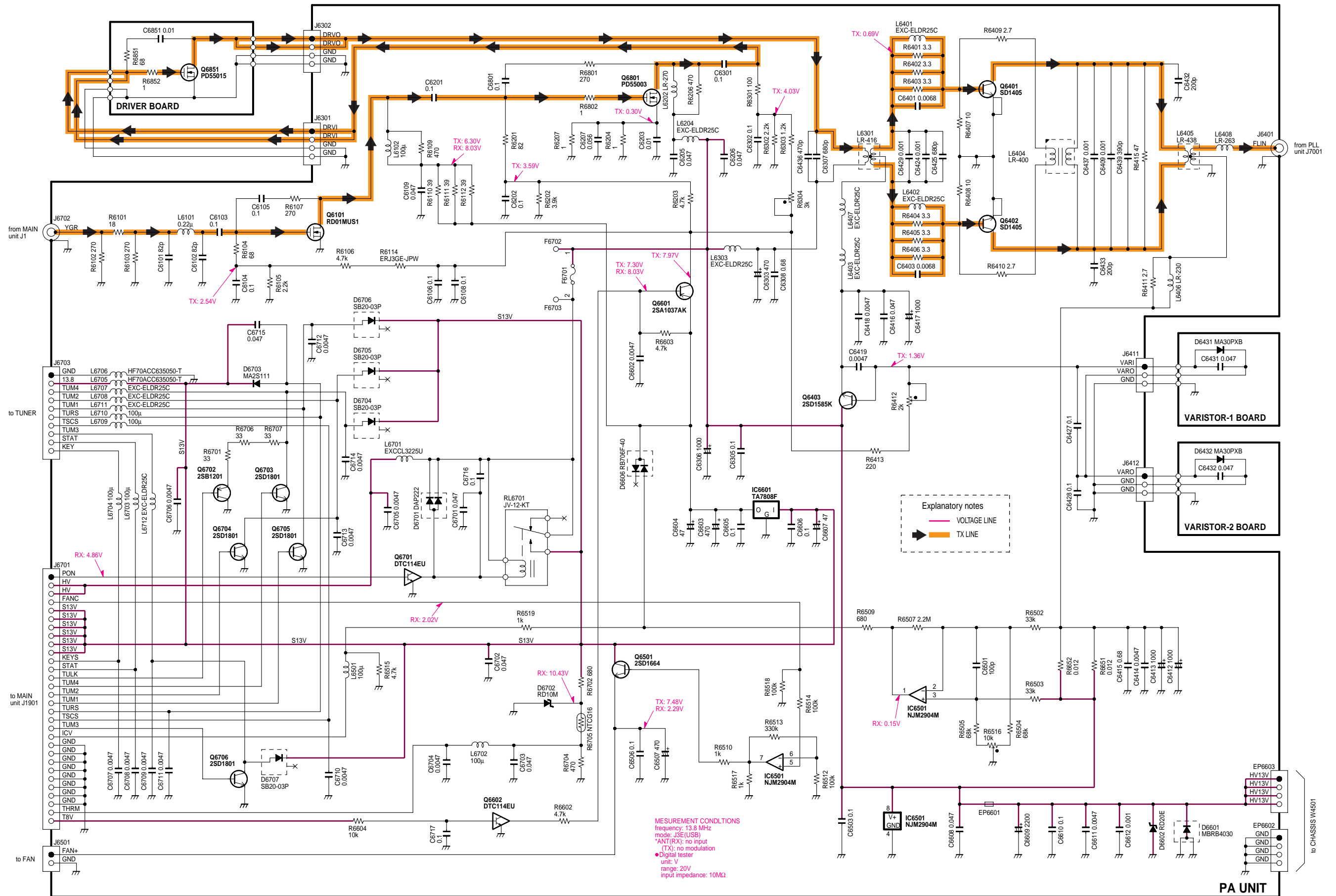
SECTION 11 WIRING DIAGRAM

IC-F7000

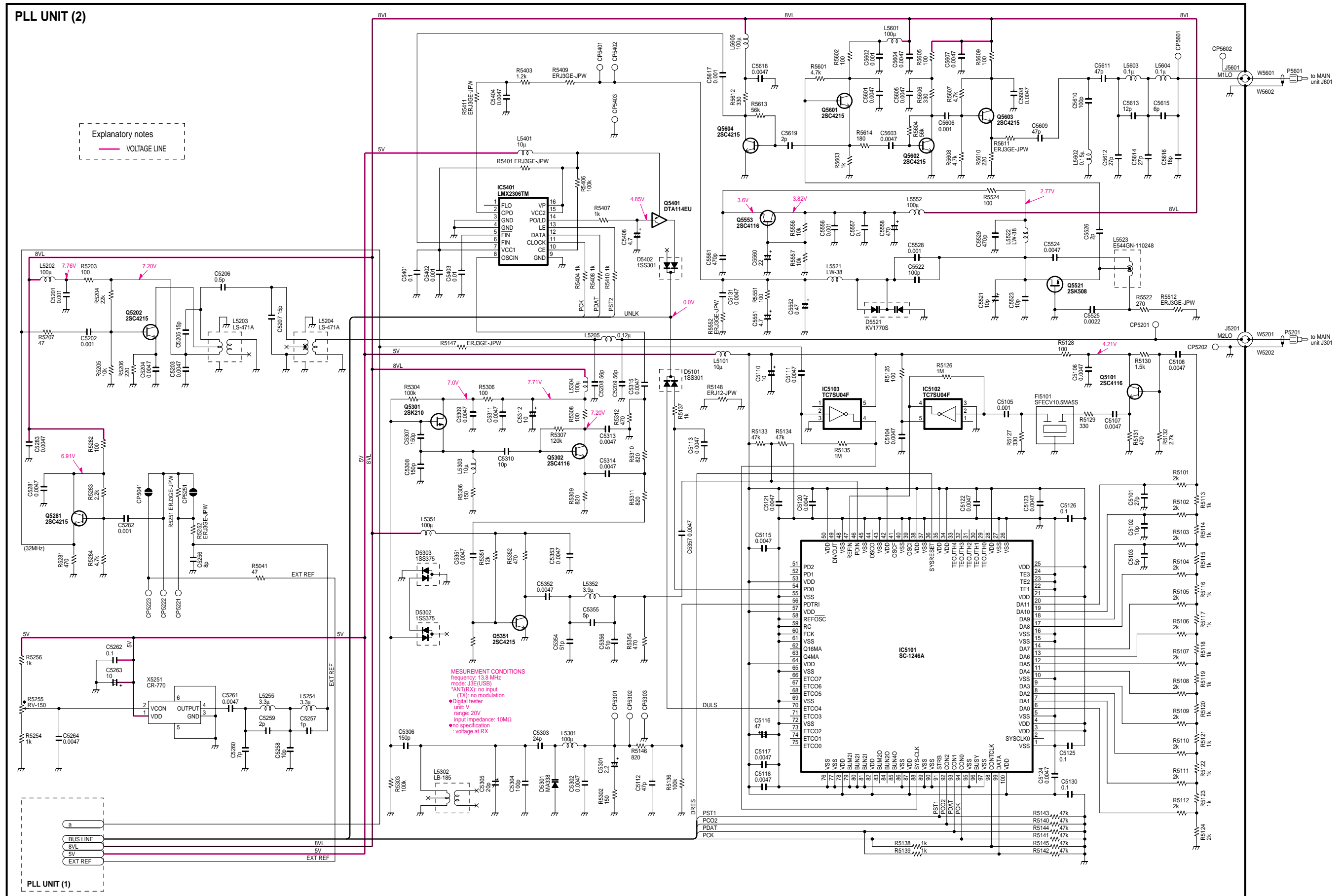


12-2-3 MAIN UNIT (3)





12-2-6 PLL UNIT (2)



Icom Inc.

1-1-32, Kamiminami, Hirano-ku, Osaka 547-0003, Japan
Phone : +81 (06) 6793 5302
Fax : +81 (06) 6793 0013
URL : <http://www.icom.co.jp/world/index.html>

Icom America Inc.

<Corporate Headquarters>
2380 116th Avenue N.E., Bellevue, WA 98004, U.S.A.
Phone : +1 (425) 454-8155 Fax : +1 (425) 454-1509
URL : <http://www.icomamerica.com>
E-mail : sales@icomamerica.com
<Customer Service>
Phone : +1 (425) 454-7619

Icom Canada

Glenwood Centre #150-6165
Highway 17 Delta, B.C., V4K 5B8, Canada
Phone : +1 (604) 952-4266 Fax : +1 (604) 952-0090
URL : <http://www.icomcanada.com>
E-mail : info@icomcanada.com

Icom (Australia) Pty. Ltd.

A.B.N. 88 006 092 575
290-294 Albert Street, Brunswick, Victoria, 3056, Australia
Phone : +61 (03) 9387-0666 Fax : +61 (03) 9387-0022
URL : <http://www.icom.net.au>
E-mail : sales@icom.net.au

Icom New Zealand

146A Harris Road, East Tamaki,
Auckland, New Zealand
Phone : +64 (09) 274 4062 Fax : +64 (09) 274 4708
URL : <http://www.icom.co.nz>
E-mail : inquiries@icom.co.nz

Beijing Icom Ltd.

1305, Wanshang Plaza, Shijingshan Road, Beijing China
Phone : +86 (010) 6866 6337 Fax : +86 (010) 6866 3553
URL : <http://www.bjicom.com>
E-mail : bjicom@bjicom.com

Icom (Europe) GmbH

Communication Equipment
Himmelgeister Str. 100, D-40225 Düsseldorf, Germany
Phone : +49 (0211) 346047 Fax : +49 (0211) 333639
URL : <http://www.icomeurope.com>
E-mail : info@icomeurope.com

Icom Spain S.L

Crta. de Gracia a Manresa Km. 14.750
08190 Sant Cugat del Valles Barcelona, SPAIN
Phone : +34 (93) 590 26 70 Fax : +34 (93) 589 04 46
URL : <http://www.icomspain.com>
E-mail : icom@icomspain.com

Icom (UK) Ltd.

Unit 9, Sea St., Heme Bay, Kent, CT6 8LD, U.K.
Phone : +44 (01227) 741741 Fax : +44 (01227) 741742
URL : <http://www.icomuk.co.uk>
E-mail : info@icomuk.co.uk

Icom France S.a

Zac de la Plaine, 1, Rue Brindejonc des Moulinais
BP 5804, 31505 Toulouse Cedex, France
Phone : +33 (5) 61 36 03 03 Fax : +33 (5) 61 36 03 00
URL : <http://www.icom-france.com>
E-mail : icom@icom-france.com

Asia Icom Inc.

6F No.68, Sec. 1 Cheng-Teh Road, Taipei, Taiwan, R.O.C.
Phone : +886 (02) 2559 1899 Fax : +886 (02) 2559 1874
URL : <http://www.asia-icom.com>
E-mail : sales@asia-icom.com

Icom Polska

Sopot, 3 Maja 54 Poland
Phone : +48 (58) 550 7135 Fax : +48 (58) 551 0484
E-mail : icompolaska@icompolaska.com.pl

Count on us!

Icom Inc.

1-1-32, Kamiminami, Hirano-ku, Osaka 547-0003, Japan

S-14012HZ-C1
© 2003 Icom Inc.